

# 成美号

CSB 有限公司

## GOOD HAND TOGGLE CLAMPS



[www.goodhandinc.com](http://www.goodhandinc.com)

# 2008

CSB SPRING & HARDWARE SDN BHD (766265-X)

No. 154, Jalan Pintal Tali, 10100 Penang.

Tel: 04 263 8975 Tel/Fax: 04 261 1835

Email: [csbspring@yahoo.com](mailto:csbspring@yahoo.com) Website: <http://www.csbspring.com>

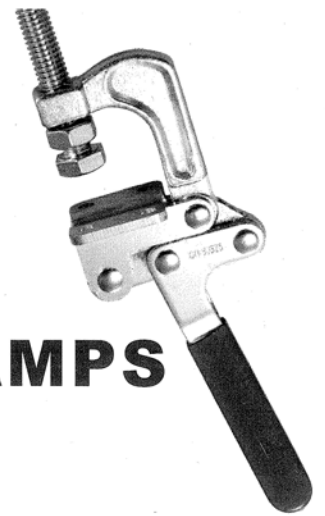




**(快速夹钳型录)英汉对照**

MODEL	型号
WEIGHT	自重
HOLDING CAPACITY	夹持力
SPINDLE SUPPLIED	压头螺丝型号
BAR OPENS	压把开启角度
HANDLE OPENS	手柄开启角度
U--BAR	U型压把
(LONG) SOLID BAR	(长)实心压把
(SHORT) SOLID BAR	(短)实心压把
OPEN BAR	开口压把
HIGH BAR	高压把
LOW BAR	低压把
FLANGED BASE	法兰底座
STRAIGHT BASE	直底座
LEFT HAND FLANGED BASE	左法兰底座
RIGHT HAND FLANGED BASE	右法兰底座
STRAIGHT HANDLE	直手柄
T-HANDIE	T型手柄
SIDE MOUNTED	侧面法兰安装
PLUNGER STOKE	行程
FIXED SPINDLE	压头螺栓不能移的压把
STAINLESS STEEL	不锈钢





# GOOD HAND TOGGLE CLAMPS

## **Toggle Action:**

The theoretical maximum holding or clamping force of a toggle action device is achieved when the three pivot points are in a straight line. To make allowance for external forces due to vibration and changing load conditions in industrial use, the proper amount of over travel of the center pivot point has been carefully calculated to yield maximum clamping pressure, while achieving a positive locking position.

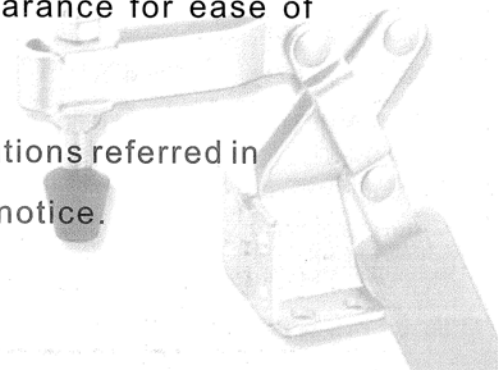
## **Holding Capacity and Clamping Force:**

All Good Hand clamps are rated by their "holding capacity". This rating is the maximum force the clamp will support when locked in the closed position without creating permanent deformation. This force is measured at a point closest to the base and diminishes as the end of the bar is reached. The "clamping force" is defined as the actual force being applied by the clamp to the work piece. This rating is not constant due to such variables as the location of force on the handle, the amount of force the operator applies, and the location of the spindle on the hold-down bar.

## **Features:**

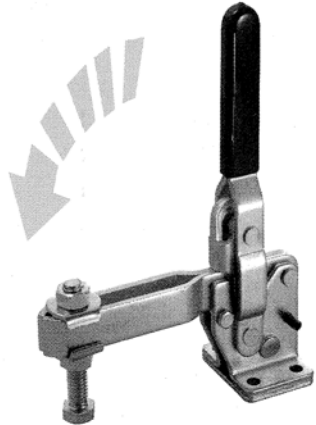
- ▶ Hand grips are covered with an oil and stain resistant red vinyl or red plastic for easy identification and to assure the safety and comfort of the operator.
- ▶ All die-stamped steel parts are deburred, cleaned, and receive a zinc plated finish that resists corrosion and creates a smooth, easy to clean surface.
- ▶ Heavy duty rivets are used to maintain accuracy and to increase endurance. All heavy-duty clamps receive hardened ground pins and bushings.
- ▶ Flanged washers are supplied with all U-bar and open bar models. Weld-on bolt retainers are supplied with all solid bar models.
- ▶ Toggle mechanism designed to allow maximum clearance for ease of loading and unloading work piece.

**Note:** Engineering changes, dimensions and specifications referred in this catalog are subject to change without prior notice.



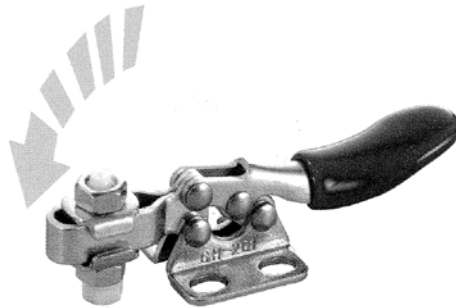
PAGE NO.	PAGE NO.	PAGE NO.	PAGE NO.	PAGE NO.	PAGE NO.	PAGE NO.	PAGE NO.
<b>GH-13005</b> 1-1	GH-22100 2-1	GH-36003M 3-2	GH-43101 4-3	GH-70300T 7-3	GH-101-ASS 1-3		
GH-13008 1-1	GH-22115 2-1	GH-36010M 3-2	GH-40200 4-3	GH-70300B 7-3	GH-12130-SS 1-4		
GH-13005-HB 1-1	GH-201-B 2-2	GH-36012M 3-2	GH-451 4-3	GH-70720 7-3	GH-12265-SS 1-5		
GH-13005-SM 1-1	GH-201-BSI 2-2	GH-30607M 3-2	GH-452 4-3	GH-70725 7-3	GH-11421-SS 1-11		
GH-13007-SM 1-1	GH-201-BHB 2-2	GH-30608M 3-2	GH-40371 4-3	GH-71220 7-3	GH-201-SS 2-1		
GH-12050 1-2	GH-201-BSM 2-2	GH-36330M 3-3	GH-43810 4-3	GH-71225 7-3	GH-201-ASS 2-1		
GH-12085 1-2	GH-225-D 2-3	GH-36202M 3-3	GH-40370 4-4	GH-72420 7-3	GH-201-BSS 2-2		
GH-12050-HB 1-2	GH-225-DI 2-3	GH-36204M 3-3	GH-40370-LP 4-4	GH-72425 7-3	GH-225-DSS 2-3		
GH-12050-SM 1-2	GH-225-DHB 2-3	GH-36224M 3-3	GH-40380 4-4	GH-70533 7-3	GH-20235-SS 2-5		
GH-101-A 1-3	GH-225-DSM 2-3	GH-304-CM 3-4	GH-40550 4-5	GH-702-C 7-4	GH-20752-BSS 2-6		
GH-101-AT 1-3	GH-20820 2-4	GH-304-EM 3-4	GH-40580 4-5	GH-70201 7-4	GH-21502-BSS 2-6		
GH-12205 1-3	GH-22165 2-4	GH-304-HM 3-4	GH-43110 4-6	GH-702-D 7-4	GH-203-FSS 2-7		
GH-12220 1-3	GH-22200 2-4	GH-305-CM 3-4	GH-43120 4-6	GH-70203 7-4	GH-20800-SS 2-10		
GH-12130 1-4	GH-22235 2-5	GH-305-EM 3-4	GH-43150 4-6	GH-702-K 7-4	GH-21382-SS 2-12		
GH-12148 1-4	GH-22250 2-5	GH-305-HM 3-4	GH-43160 4-6	GH-701-C 7-4	GH-301-AMSS 3-1		
GH-12130-HB 1-4	GH-20235 2-5	GH-30509M 3-4	<b>GH-50360</b> 5-1	GH-70101 7-4	GH-302-FMSS 3-1		
GH-12130-SM 1-4	GH-20236 2-5	GH-30510M 3-5	GH-50380 5-1	GH-701-D 7-4	GH-36092MSS 3-1		
GH-12265 1-5	GH-20752-B 2-6	GH-30511 3-5	GH-50450 5-2	GH-70103 7-4	GH-36202-MSS 3-3		
GH-12300 1-5	GH-24502-B 2-6	GH-30519M 3-5	GH-50480 5-2	GH-701-K 7-4	GH-36204-MSS 3-3		
GH-12305 1-5	GH-201-C 2-6	GH-30619M 3-5	GH-51105 5-2	<b>GH-80070</b> 8-1	GH-36224-MSS 3-3		
GH-12320 1-5	GH-203-F 2-7	GH-30600 3-6	GH-51106 5-2	GH-80325 8-1	GH-304-EMSS 3-4		
GH-10247 1-6	GH-202-F 2-7	GH-31200 3-6	GH-51150 5-3	GH-80379 8-1	GH-40323-SS 4-1		
GH-10250 1-6	GH-203-FL 2-7	GH-32500 3-6	GH-51152 5-3	<b>CCLAMP</b> 9-1	GH-431M-SS 4-1		
GH-101-J 1-6	GH-202-FL 2-7	GH-30600HL 3-6	GH-51151 5-3		GH-40341-SS 4-1		
GH-101-JSI 1-6	GH-204-G 2-7	GH-31200HL 3-6	GH-51100 5-3	<b>GH-10101-A</b> 10-1	GH-40324-SS 4-1		
GH-11002-B 1-7	GH-204-GL 2-7	GH-32500HL 3-6	GH-51111 5-4	GH-12050-A 10-1	GH-40334-SS 4-1		
GH-12002-C 1-7	GH-204-GB 2-8	GH-30600PR 3-7	GH-511SP 5-4	GH-12050-UA 10-1	GH-40344-SS 4-1		
GH-13002-B 1-7	GH-204-GBL 2-8	GH-31200PR 3-7	GH-51000 5-4	GH-12130-A 10-1	GH-40402-SS 4-2		
GH-10751-B 1-7	GH-204-GBLH2 2-8	GH-32500PR 3-7	GH-51010 5-5	GH-12132-A 10-1	GH-451-SS 4-3		
GH-13502-B 1-7	GH-22005 2-8	GH-36006 3-7	GH-51020 5-5	GH-12265-A 10-1	GH-452-SS 4-3		
GH-13009 1-8	GH-22040 2-8	GH-36070 3-7	GH-51030 5-5	GH-12275-A 10-1	GH-40380-SS 4-4		
GH-14009 1-8	GH-20400 2-9	GH-302-DM 3-8	<b>GH-70305</b> 7-1	GH-10247-A 10-2			
GH-101-B 1-9	GH-20100 2-9	GH-30282M 3-8	GH-70310 7-1	GH-10249-A 10-2			
GH-102-B 1-9	GH-20800 2-10	GH-30290M 3-8	GH-70315 7-1	GH-20820-A 10-2			
GH-101-D 1-10	GH-21800 2-10	GH-30292M 3-8	GH-70505 7-1	GH-36301-A 10-2			
GH-101-E 1-10	GH-20300 2-10	GH-36020 3-8	GH-70510 7-1	GH-36003-A 10-3			
GH-101-DI 1-10	GH-21383 2-11	GH-36020-K 3-8	GH-70515 7-1	GH-36330-A 10-3			
GH-101-EI 1-10	GH-25383 2-11	GH-31501 3-9	GH-70605 7-1	GH-305-EA 10-3			
GH-11401 1-10	GH-21382 2-12	GH-36060 3-9	GH-70610 7-1	GH-702-CA 10-4			
GH-12401 1-10	GH-22382 2-12	GH-303-EM 3-9	GH-70615 7-1	GH-702-DA 10-4			
GH-11421 1-11	GH-25382 2-12	GH-303-EMK 3-9	GH-70710 7-1	GH-30600HL-A10-5			
GH-12421 1-11	GH-26382 2-12	GH-30513 3-10	GH-70715 7-1	GH-31200HL-A10-5			
GH-11412 1-11	GH-21385 2-13	GH-30250 3-10	GH-71210 7-1	GH-32500HL-A10-5			
GH-12412 1-11	GH-21384 2-13	GH-30450 3-10	GH-71215 7-1	GH-30600PR-A10-5			
GH-14412 1-12	GH-22384 2-13	<b>GH-40323</b> 4-1	GH-72410 7-1	GH-31200PR-A10-5			
GH-13412 1-12	GH-200-W 2-14	GH-431 4-1	GH-72415 7-1	GH-32500PR-A10-5			
GH-10444 1-12	GH-200-WLH2 2-14	GH-40341 4-1	GH-75027 7-2	<b>F CLAMP</b> 11-1			
GH-10448 1-12	GH-20448 2-14	GH-40324 4-1	GH-75027-SM 7-2	<b>ACCESSORIES</b> 12-1			
GH-101-EL 1-13	<b>GH-301-AM</b> 3-1	GH-40344 4-1	GH-75048 7-2	GH-13005-SS 1-1			
GH-101-H 1-13	GH-301-BM 3-1	GH-40402 4-2	GH-75078 7-2	GH-12050-SS 1-2			
<b>GH-201</b> 2-1	GH-302-FM 3-1	GH-40702 4-2	GH-75088 7-2	GH-12050-USS 1-2			
GH-201-R 2-1	GH-36092M 3-1	GH-40840 4-2	GH-70320 7-3				
		GH-40870 4-2					

**PAGES 1-1~1-13**



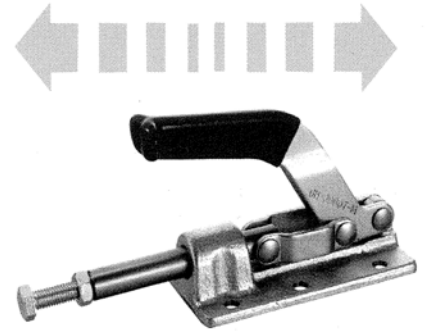
**VERTICAL HANDLE**  
(Hold Down Action)

**PAGES 2-1~2-14**



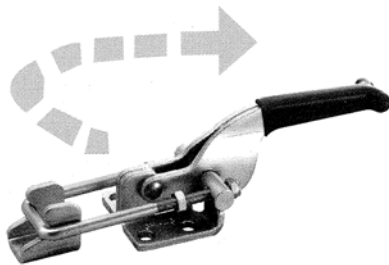
**HORIZONTAL HANDLE**  
(Hold Down Action)

**PAGES 3-1~3-10**



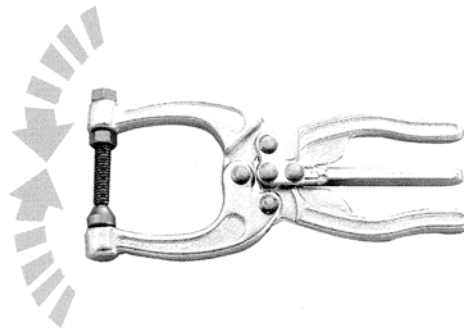
**PUSH/PULL**  
(Straight Line Action)

**PAGES 4-1~4-6**



**LATCH TYPE**  
(Pull Action)

**PAGES 5-1~5-5**



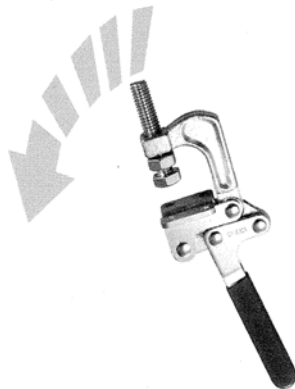
**TOGGLE PLIERS**  
(Squeeze Action)

**PAGES 7-1**



**HEAVY DUTY WELDABLES**  
(Hold Down Action)  
(Straight Line Action)

**PAGES 8-1**



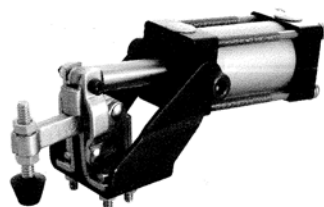
**F TYPE**  
(Pull Down)

**PAGES 9-1**



**C-CLAMP**

**PAGES 10-1**



**AIR CLAMPS**

**PAGES 11-1**



**F CLAMPS**

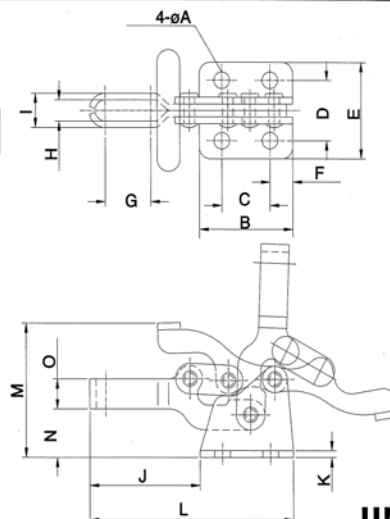
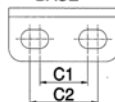
## GH-13005 THRU GH-13008

- GH-13008 has
- Hardened bushings and Removable ground pins.



GH-13005

GH-13007  
GH-13008  
BASE



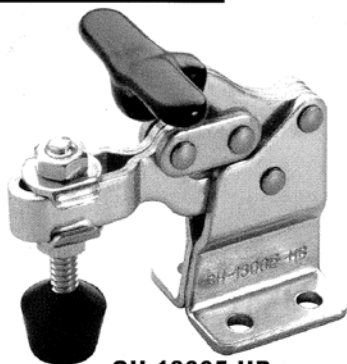
UNT:mm

MODEL	WEIGHT	HOLDING CAPACITY(kg)	SPINDLE SUPPLIED	BAR OPENS	HANDLE OPENS	ØA	B	C	C1	C2	D	E	F	G	H	I	J	K	L	M	N	O
GH-13005	60	68	GH-FC-10138	90°	170°	4.4	26.2	13.5	-	-	15.9	25.4	6.4	12.7	5.6	9	30.8	2	57	35.2	12.7	7.9
GH-13007	230	150	GH-FC-56212	90°	170°	7	44	-	19	27	29.4	46	10.3	19.5	8.8	14.8	50.1	3.0	93.7	58.7	22.2	12.7
GH-13008	630	320	GH-FC-38312	90°	170°	7.9	64.3	-	31	39	38.1	62.7	12.7	28.9	10.4	19	67.5	3.0	135	88.1	33.3	19
GH-13005-SS	STAINLESS STEEL																					

## GH-13005 -HB

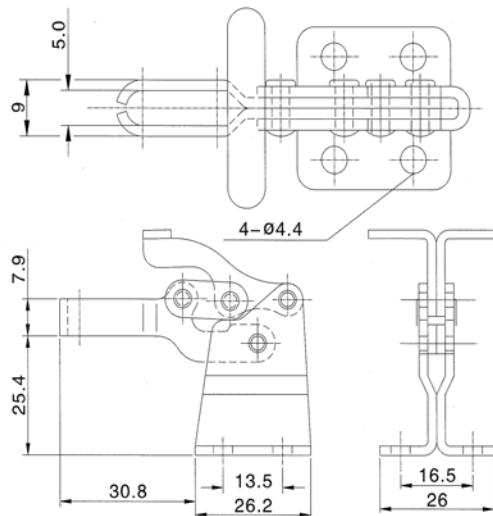
## GH-13005 -SM

## GH-13007 -SM

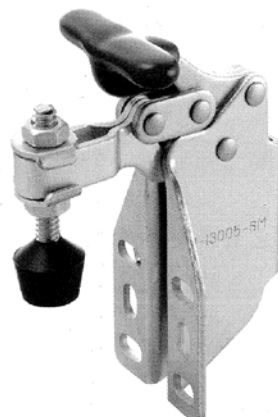


GH-13005-HB

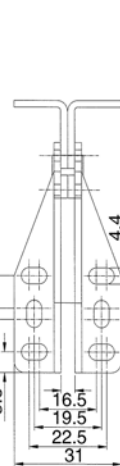
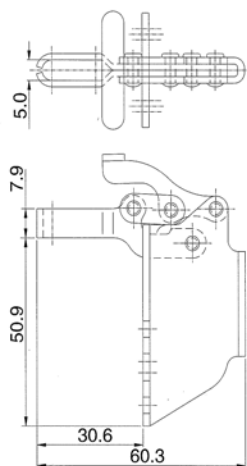
UNT:mm



MODEL	WEIGHT(g)	HOLDING CAPACITY(kg)	SPINDLE SUPPLIED	BAR OPENS	HANDLE OPENS
GH-13005-HB	68	68	GH-FC-10138	90°	170°



GH-13005-SM



GH-13007-SM

UNT:mm

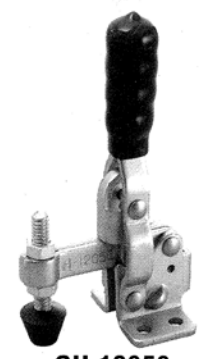
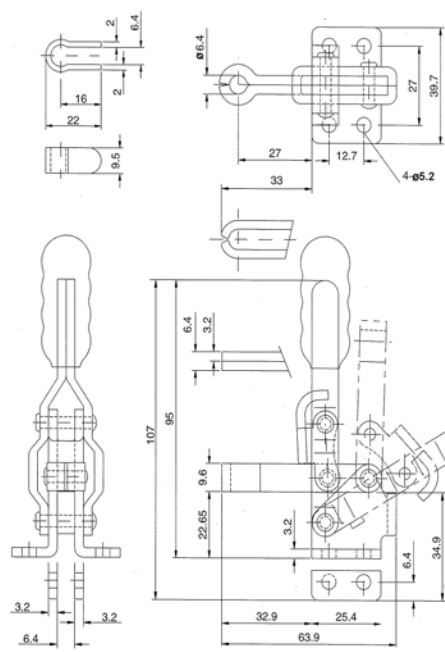
MODEL	WEIGHT(g)	HOLDING CAPACITY(kg)	SPINDLE SUPPLIED	BAR OPENS	HANDLE OPENS
GH-13005-SM	92	68	GH-FC-10138	90°	170°
GH-13007-SM	360	150	GH-FC-56212		



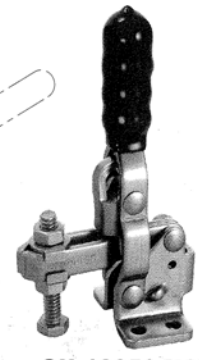


## GH-12050 THRU GH-12085

- ▶ WEIGHT:170g
- ▶ HOLDING CAPACITY:91kg
- ▶ SPINDLE SUPPLIED:GH-FC-14134
- ▶ BAR OPENS:100°
- ▶ HANDLE OPENS:60°



GH-12050

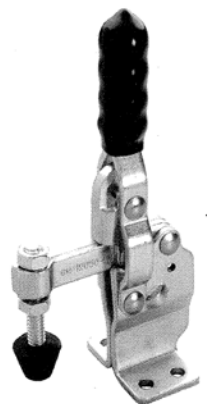


GH-12050-USS

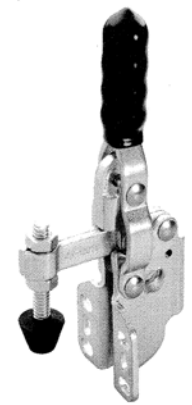
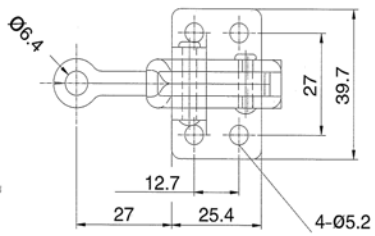
**UNT:mm**

MODEL	DESCRIPTION
GH-12050	FIXED SPINDLE, FLANGED BASE, STRAIGHT HANDLE
GH-12055	FIXED SPINDLE, STRAIGHT BASE, STRAIGHT HANDLE
GH-12060	SOLID BAR, FLANGED BASE, STRAIGHT HANDLE
GH-12065	SOLID BAR, STRAIGHT BASE, STRAIGHT HANDLE
GH-12070	FIXED SPINDLE, FLANGED BASE, T-HANDLE
GH-12075	FIXED SPINDLE, STRAIGHT BASE, T-HANDLE
GH-12080	SOLID BAR, FLANGED BASE, T-HANDLE
GH-12085	SOLID BAR, STRAIGHT BASE, T-HANDLE
GH-12050-U	U-BAR, FLANGED BASE, STRAIGHT HANDLE
GH-12055-U	U-BAR, STRAIGHT BASE, STRAIGHT HANDLE
GH-12050-SS	STAINLESS STEEL
GH-12050-USS	STAINLESS STEEL

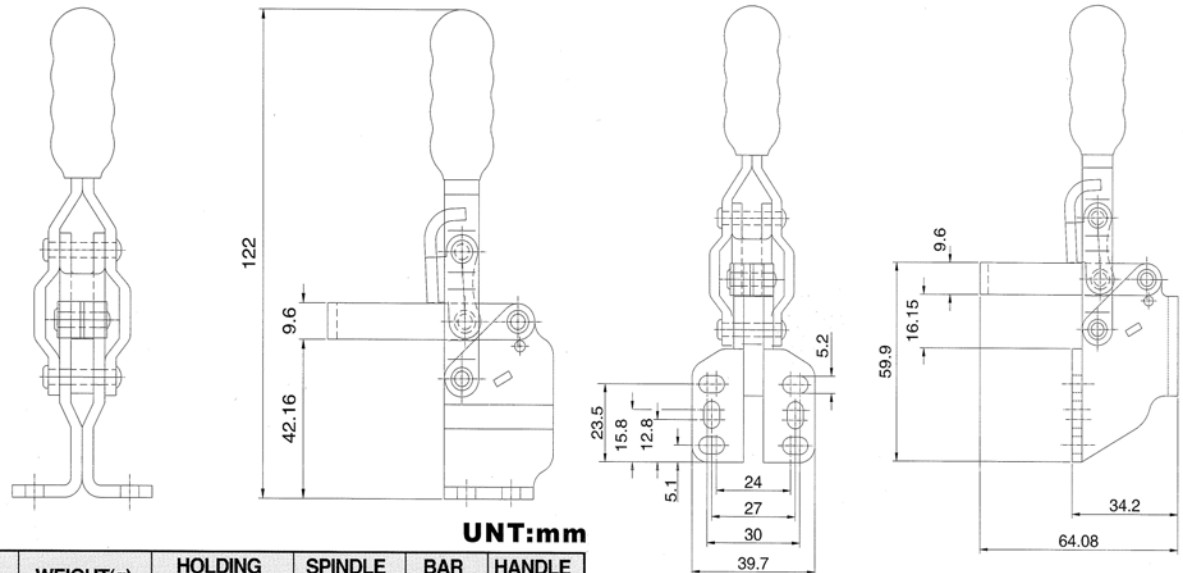
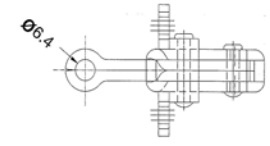
## GH-12050-HB GH-12050-SM



GH-12050-HB



GH-12050-SM

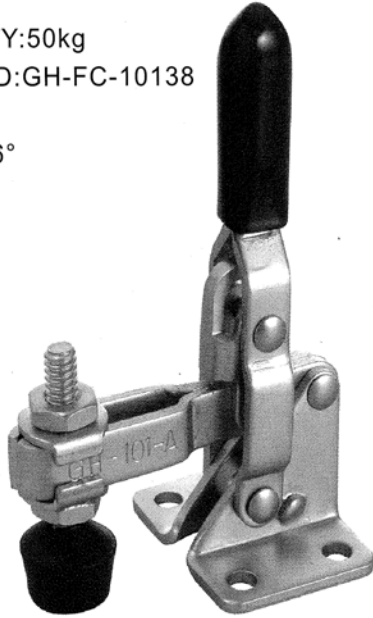


**UNT:mm**

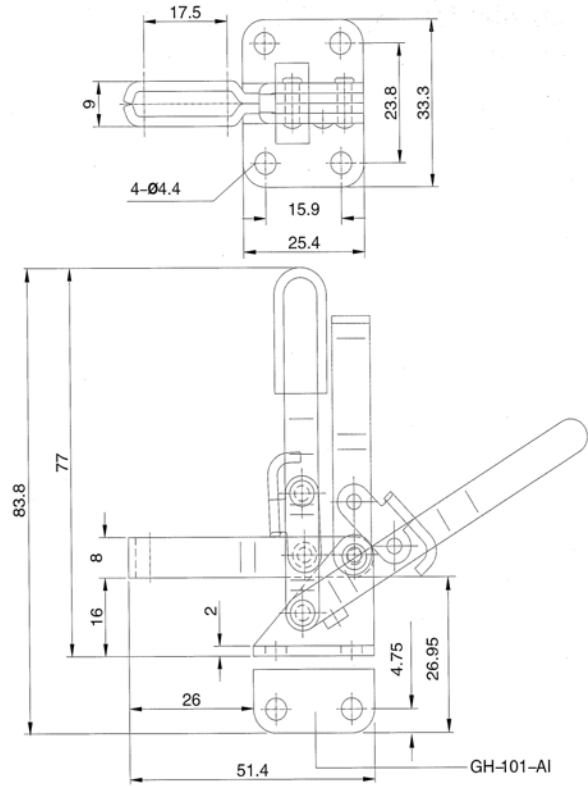
MODEL	WEIGHT(g)	HOLDING CAPACITY(kg)	SPINDLE SUPPLIED	BAR OPENS	HANDLE OPENS
GH-12050-HB	186	91	GH-FC-14134	100°	60°
GH-12050-SM					

## GH-101-A THRU GH-101-AT

- ▶ WEIGHT: 60g
- ▶ HOLDING CAPACITY: 50kg
- ▶ SPINDLE SUPPLIED: GH-FC-10138
- ▶ BAR OPENS: 100°
- ▶ HANDLE OPENS: 56°



**GH-101-A**

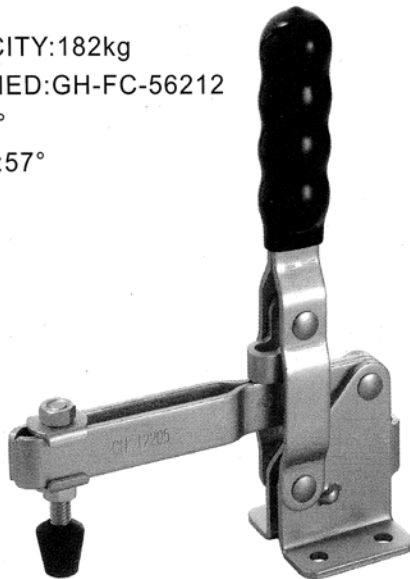


UNT:mm

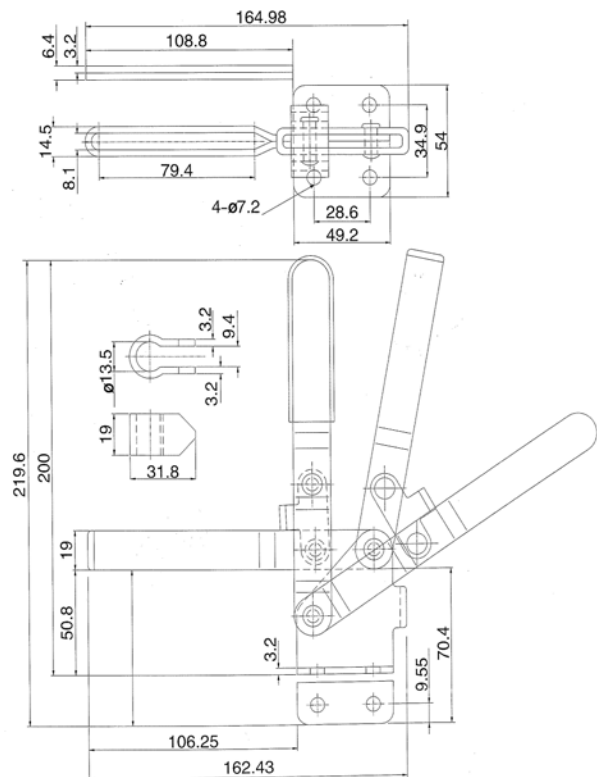
MODEL	DESCRIPTION
GH-101-A	U-BAR, FLANGED BASE, STRAIGHT HANDLE
GH-101-AI	U-BAR, STRAIGHT BASE, STRAIGHT HANDLE
GH-101-AIT	U-BAR, STRAIGHT BASE, T-HANDLE
GH-101-AT	U-BAR, FLANGED BASE, T-HANDLE
GH-101-ASS	STAINLESS STEEL

## GH-12205 THRU GH-12220

- ▶ WEIGHT: 620g
- ▶ HOLDING CAPACITY: 182kg
- ▶ SPINDLE SUPPLIED: GH-FC-56212
- ▶ BAR OPENS: 101°
- ▶ HANDLE OPENS: 57°



**GH-12205**



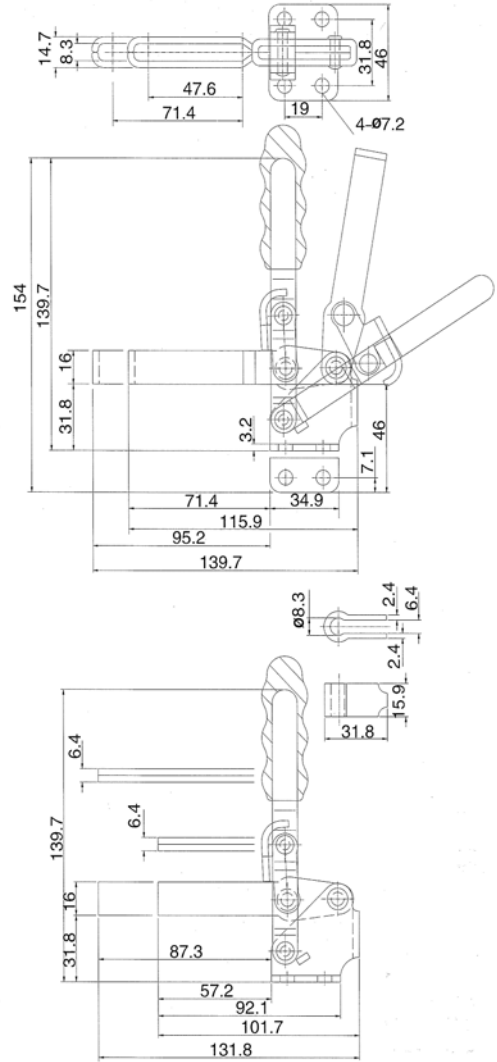
UNT:mm

MODEL	DESCRIPTION
GH-12205	U-BAR, FLANGED BASE
GH-12210	U-BAR, STRAIGHT BASE
GH-12215	SOLID BAR, FLANGED BASE
GH-12220	SOLID BAR, STRAIGHT BASE



## GH-12130 THRU GH-12148

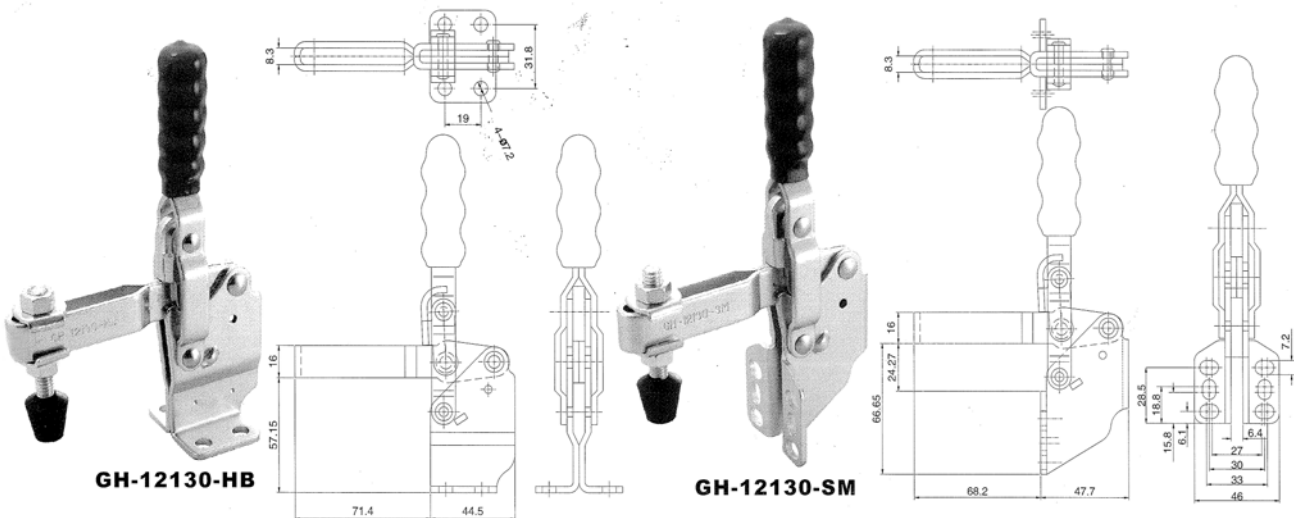
- ▶ HOLDING CAPACITY: 227kg
- ▶ SPINDLE SUPPLIED: GH-FC-56212
- ▶ BAR OPENS: 100°
- ▶ HANDLE OPENS: 60°



UNT:mm

MODEL	DESCRIPTION	WEIGHT(g)
GH-12130	SHORT U-BAR, FLANGED BASE, STRAIGHT HANDLE	355
GH-12131	SHORT U-BAR, FLANGED BASE, T-HANDLE	370
GH-12132	LONG U-BAR, FLANGED BASE, STRAIGHT HANDLE	370
GH-12133	LONG U-BAR, FLANGED BASE, T-HANDLE	400
GH-12135	SHORT U-BAR, STRAIGHT BASE, STRAIGHT HANDLE	355
GH-12136	SHORT U-BAR, STRAIGHT BASE, T-HANDLE	370
GH-12137	LONG U-BAR, STRAIGHT BASE, STRAIGHT HANDLE	370
GH-12138	LONG U-BAR, STRAIGHT BASE, T-HANDLE	400
GH-12140	SHORT SOLID BAR, FLANGED BASE, STRAIGHT HANDLE	340
GH-12141	SHORT SOLID BAR, FLANGED BASE, T-HANDLE	355
GH-12142	LONG SOLID BAR, FLANGED BASE, STRAIGHT HANDLE	355
GH-12143	LONG SOLID BAR, FLANGED BASE, T-HANDLE	375
GH-12145	SHORT SOLID BAR, STRAIGHT BASE, STRAIGHT HANDLE	340
GH-12146	SHORT SOLID BAR, STRAIGHT BASE, T-HANDLE	355
GH-12147	LONG SOLID BAR, STRAIGHT BASE, STRAIGHT HANDLE	355
GH-12148	LONG SOLID BAR, STRAIGHT BASE, T-HANDLE	375
GH-12130-SS	STAINLESS STEEL	

## GH-12130-HB GH-12130-SM



UNT:mm

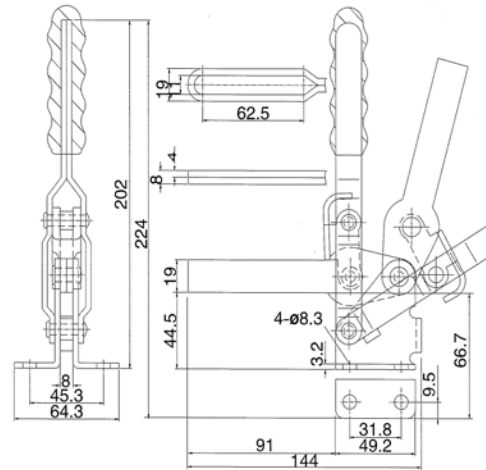
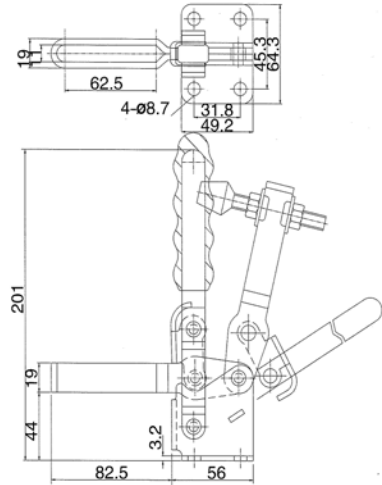
MODEL	WEIGHT(g)	HOLDING CAPACITY(kg)	SPINDLE SUPPLIED	BAR OPENS	HANDLE OPENS
GH-12130-HB	401	227	GH-FC-56212	100°	60°
GH-12130-SM	395				

## GH-12265 THRU GH-12300

- ▶ Hardened bushings
- ▶ Removable ground pins
- ▶ HOLDING CAPACITY: 340kg
- ▶ SPINDLE SUPPLIED: GH-FC-38312
- ▶ BAR OPENS: 105°
- ▶ HANDLE OPENS: 58°



GH-12265

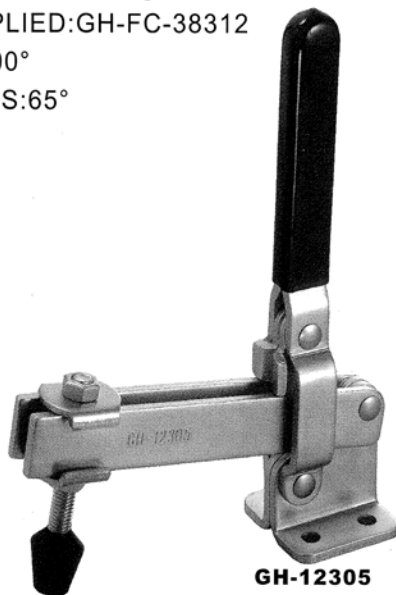


UNT:mm

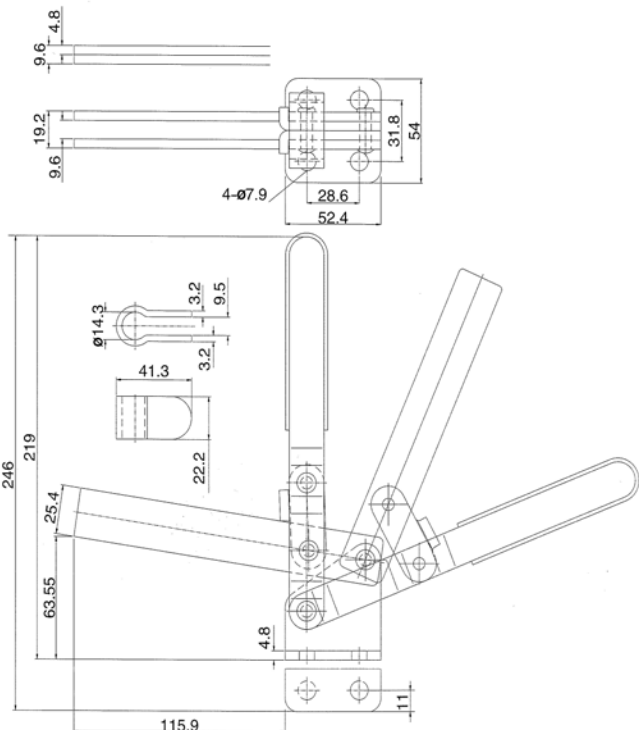
MODEL	DESCRIPTION	WEIGHT(g)
GH-12265	U-BAR, FLANGED BASE, STRAIGHT HANDLE	635
GH-12270	U-BAR, STRAIGHT BASE, STRAIGHT HANDLE	635
GH-12275	SOLID BAR, FLANGED BASE, STRAIGHT HANDLE	680
GH-12280	SOLID BAR, STRAIGHT BASE, STRAIGHT HANDLE	680
GH-12285	U-BAR, FLANGED BASE, T-HANDLE	710
GH-12290	U-BAR, STRAIGHT BASE, T-HANDLE	710
GH-12295	SOLID BAR, FLANGED BASE, T-HANDLE	735
GH-12300	SOLID BAR, STRAIGHT BASE, T-HANDLE	735
GH-12265-SS	STAINLESS STEEL	

## GH-12305 THRU GH-12320

- ▶ WEIGHT: 990g
- ▶ HOLDING CAPACITY: 364kg
- ▶ SPINDLE SUPPLIED: GH-FC-38312
- ▶ BAR OPENS: 100°
- ▶ HANDLE OPENS: 65°



GH-12305

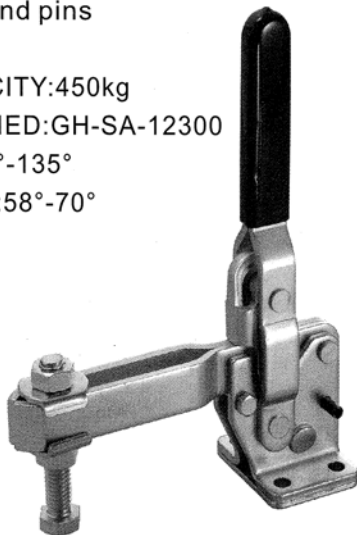


UNT:mm

MODEL	DESCRIPTION
GH-12305	OPEN BAR, FLANGED BASE
GH-12310	OPEN BAR, STRAIGHT BASE
GH-12315	SOLID BAR, FLANGED BASE
GH-12320	SOLID BAR, STRAIGHT BASE

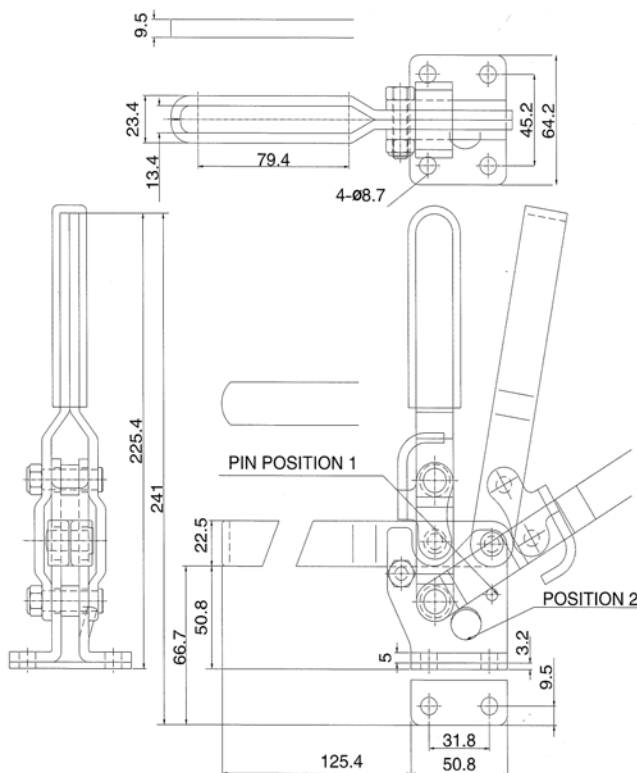
## GH-10247 THRU GH-10250

- ▶ Hardened bushings
- ▶ Removable ground pins
- ▶ WEIGHT:1250g
- ▶ HOLDING CAPACITY:450kg
- ▶ SPINDLE SUPPLIED:GH-SA-12300
- ▶ BAR OPENS:100°-135°
- ▶ HANDLE OPENS:58°-70°



**GH-10247**

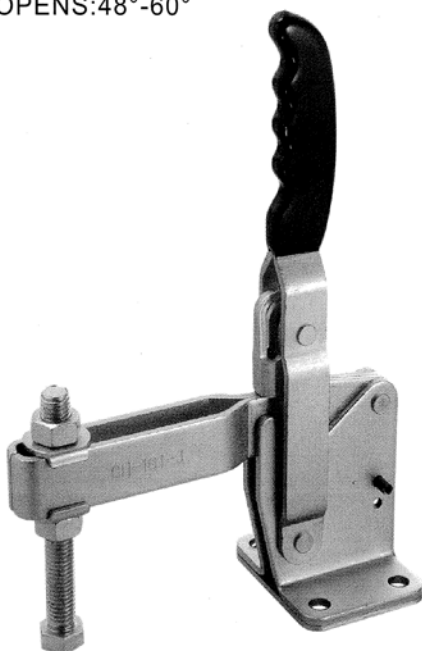
MODEL	DESCRIPTION
GH-10247	U- BAR, FLANGED BASE
GH-10248	U- BAR, STRAIGHT BASE
GH-10249	SOLID BAR, FLANGED BASE
GH-10250	SOLID BAR, STRAIGHT BASE



UNT:mm

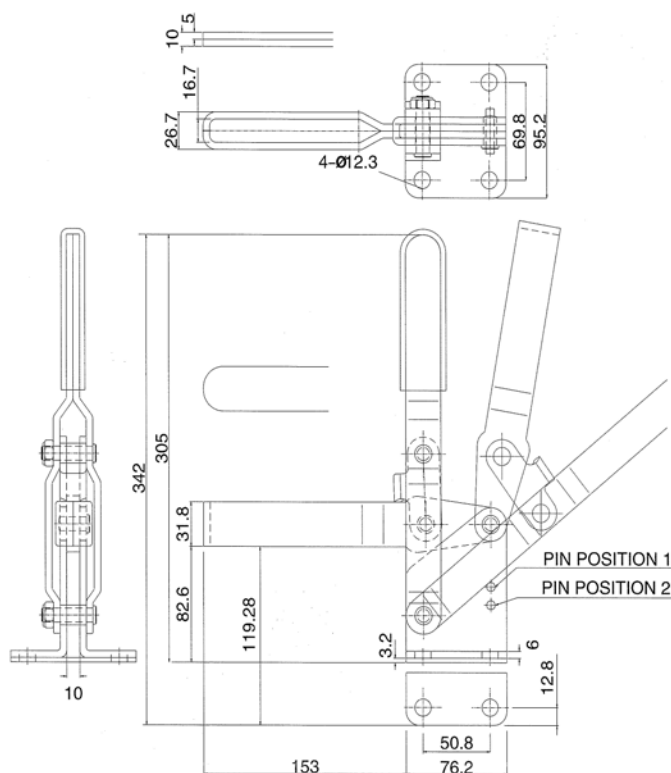
## GH-101-J THRU GH-101-JSI

- ▶ Hardened bushings
- ▶ Removable ground pins
- ▶ WEIGHT:2540g
- ▶ HOLDING CAPACITY:550kg
- ▶ SPINDLE SUPPLIED:GH-SA-58500
- ▶ BAR OPENS:100°-140°
- ▶ HANDLE OPENS:48°-60°



**GH-101-J**

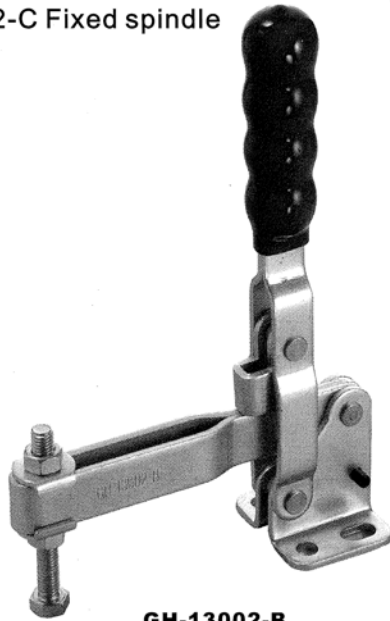
MODEL	DESCRIPTION
GH-101-J	U- BAR, FLANGED BASE
GH-101-JS	SOLID BAR, FLANGED BASE
GH-101-JSB	U- BAR, STRAIGHT BASE
GH-101-JSI	SOLID BAR, STRAIGHT BASE



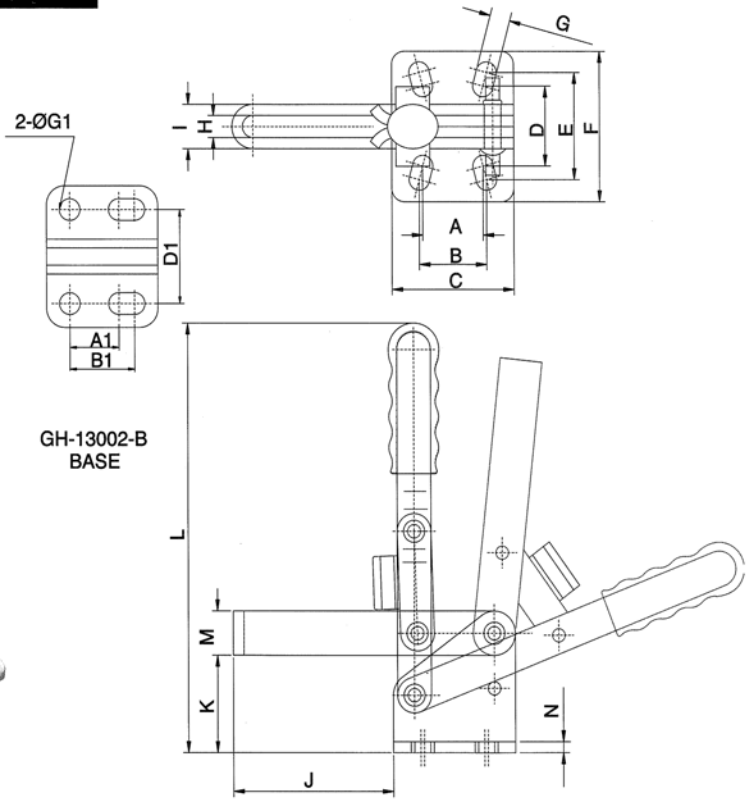
UNT:mm

## GH-11002-B THRU GH-13002-B

- ▶ GH-13002-B has
- ▶ Hardened bushings
- ▶ Removable ground pins
- ▶ GH-12002-C Fixed spindle



GH-13002-B



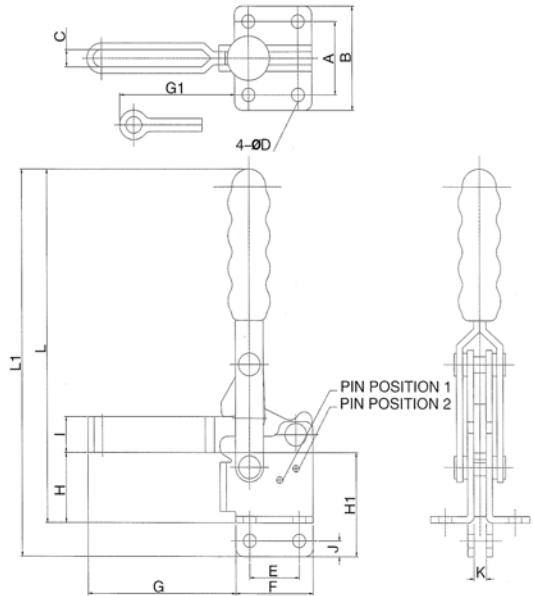
GH-13002-B  
BASE

UNT:mm

MODEL	WEIGHT(g)	HOLDING CAPACITY(kg)	SPINDLE SUPPLIED	BAR OPENS	HANDLE OPENS	A	A1	B	B1	C	D	D1	E	F	ØG1	H	I	J	K	L	M	N
GH-11002-B	128	75	GH-SA-054008	96°	69°	14.0	-	16	-	29	17.5	-	24.2	34	-	5	10	38	22	97	10	2.5
GH-12002-B	170	150	GH-SA-065010	108°	70°	12.7	-	19	-	35	25	-	27	42	-	6.4	11	44	29	143	13	3.2
GH-13002-C	170	150	GH-SA-065010	108°	70°	12.7	-	19	-	35	25	-	27	42	-	6.4	11	44	29	143	13	3.2
GH-13002-B	380	250	GH-SA-086512	106°	67°	-	19	-	25	43	-	33.5	-	51.1	8	8.8	12	100	35	196	19	3.2

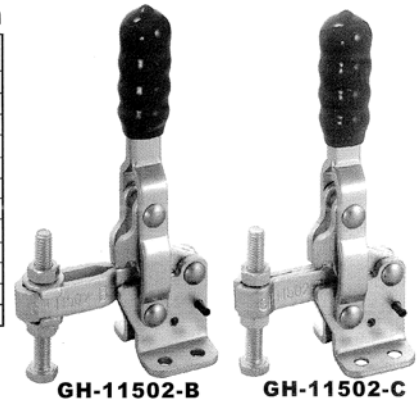
## GH-10751-B THRU GH-13502-B

MODEL	A	B	C	C1	ØD	E	F	G	G1	H	H1	I	J	K	L	L1
GH-10751-B	24	34	5.5	-	4.4	16	26	31	-	27	27.6	9	-	-	98	-
GH-10752-B	24	34	5.5	-	4.4	16	26	31	-	16	-	9	5	4	-	106
GH-11501-B	26.8	37.8	6.2	-	5.1	12.7	27	43	-	33.4	11	5.4	5.8	-	135	-
GH-11501-C	26.8	37.8	-	6.2	5.1	12.7	27	-	33	-	33.4	11	5.4	5.8	-	135
GH-11502-B	26.8	37.8	6.2	-	5.1	12.7	27	43	-	23	-	11	5.4	5.8	123	-
GH-11502-C	26.8	37.8	-	6.2	5.1	12.7	27	-	33	23	-	11	5.4	5.8	123	-
GH-12501-B	32	47	8.9	-	7.1	19	35	75	-	46	17.5	7	6	-	190	-
GH-12501-C	32	47	-	8.4	7.1	19	35	-	53	-	46	17.5	7	6	-	190
GH-12502-B	32	47	8.9	-	7.1	19	35	75	-	32	-	17.5	7	6	175	-
GH-12502-C	32	47	-	8.4	7.1	19	35	-	53	32	-	17.5	7	6	175	-
GH-13501-B	45	64	10.6	-	8.3	32	50	95	-	63.6	22	9.6	8	-	240	-
GH-13502-B	45	64	10.6	-	8.3	32	50	95	-	43	-	22	9.6	8	220	-



UNT:mm

MODEL	WEIGHT (g)	HOLDING CAPACITY (kg)	SPINDLE SUPPLIED	BAR OPENS	HANDLE OPENS	DESCRIPTION
GH-10751-B	50	75	GH-SA-055008	130°-195°	90°-125°	U-BAR, STRAIGHT BASE
GH-10752-B						U-BAR, FLANGED BASE
GH-11501-B	150	150	GH-SA-065010	95°-185°	75°-110°	U-BAR, STRAIGHT BASE
GH-11501-C						FIXED SPINDLE, STRAIGHT BASE
GH-11502-B						U-BAR, FLANGED BASE
GH-11502-C						FIXED SPINDLE, FLANGED BASE
GH-12501-B	380	250	GH-SA-085012	90°-150°	70°-100°	U-BAR, STRAIGHT BASE
GH-12501-C						FIXED SPINDLE, STRAIGHT BASE
GH-12502-B						U-BAR, FLANGED BASE
GH-12502-C						FIXED SPINDLE, FLANGED BASE
GH-13501-B	800	350	GH-SA-108015	90°-180°	70°-100°	U-BAR, STRAIGHT BASE
GH-13502-B						U-BAR, FLANGED BASE

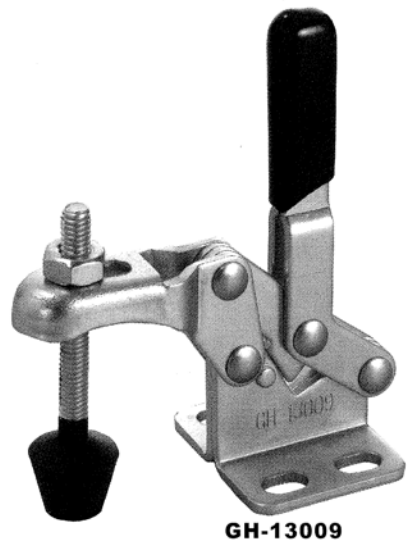


GH-11502-B

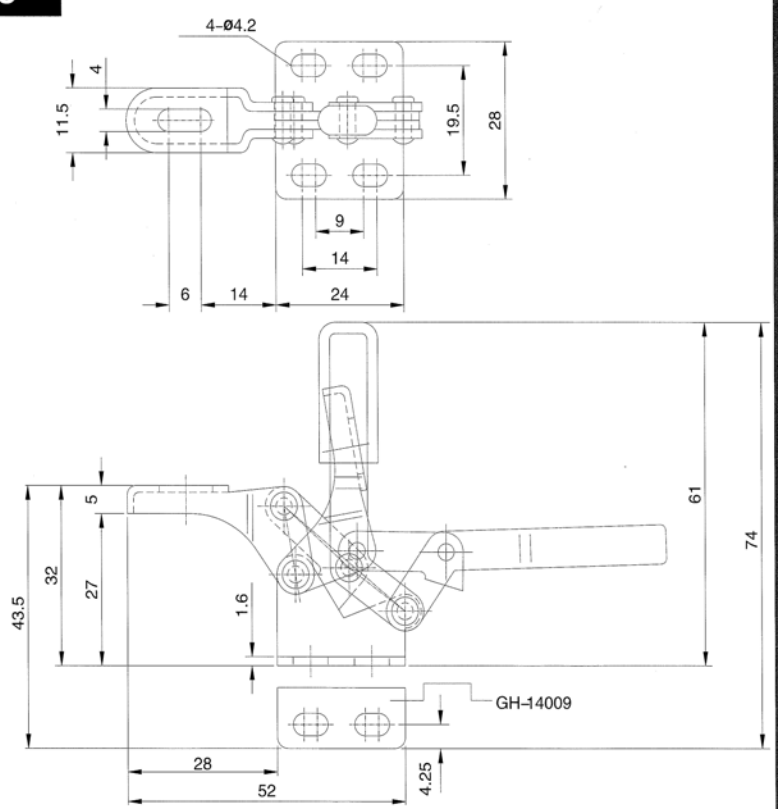
GH-11502-C

## GH-13009 AND GH-14009

- ▶ WEIGHT: 40g
- ▶ HOLDING CAPACITY: 30kg
- ▶ SPINDLE SUPPLIED: GH-FC-044207
- ▶ BAR OPENS: 80°
- ▶ HANDLE OPENS: 88°

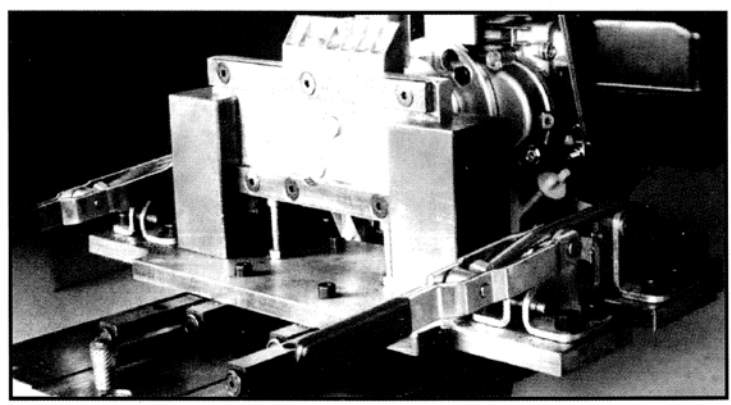
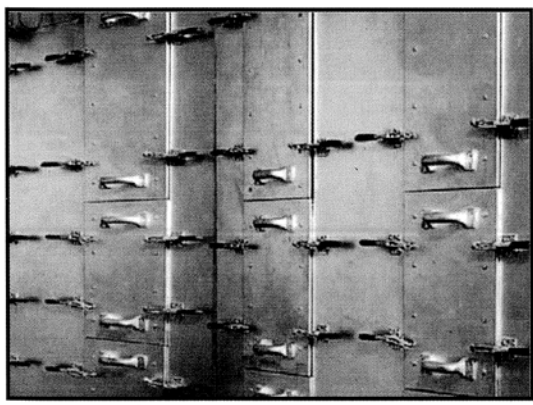
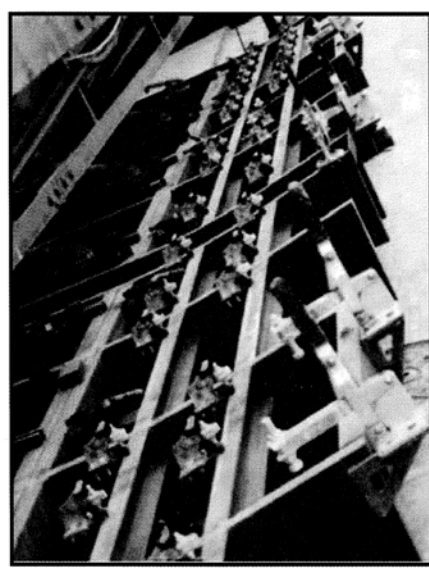
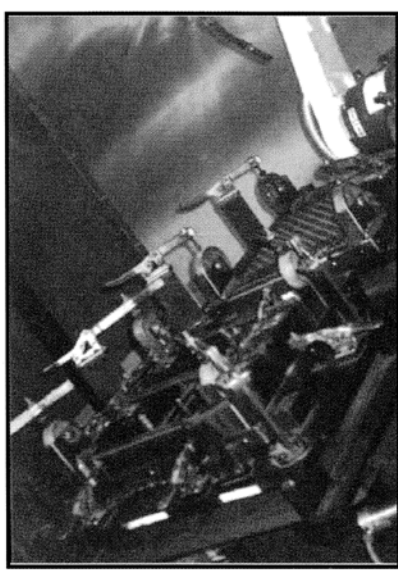


**GH-13009**



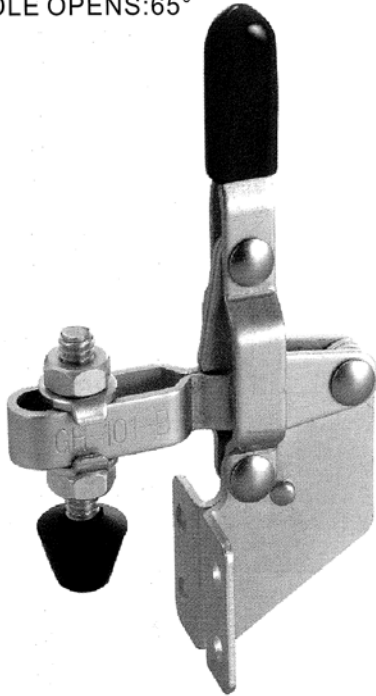
MODEL	DESCRIPTION
GH-13009	FLANGED BASE
GH-14009	STRAIGHT BASE

**UNT:mm**

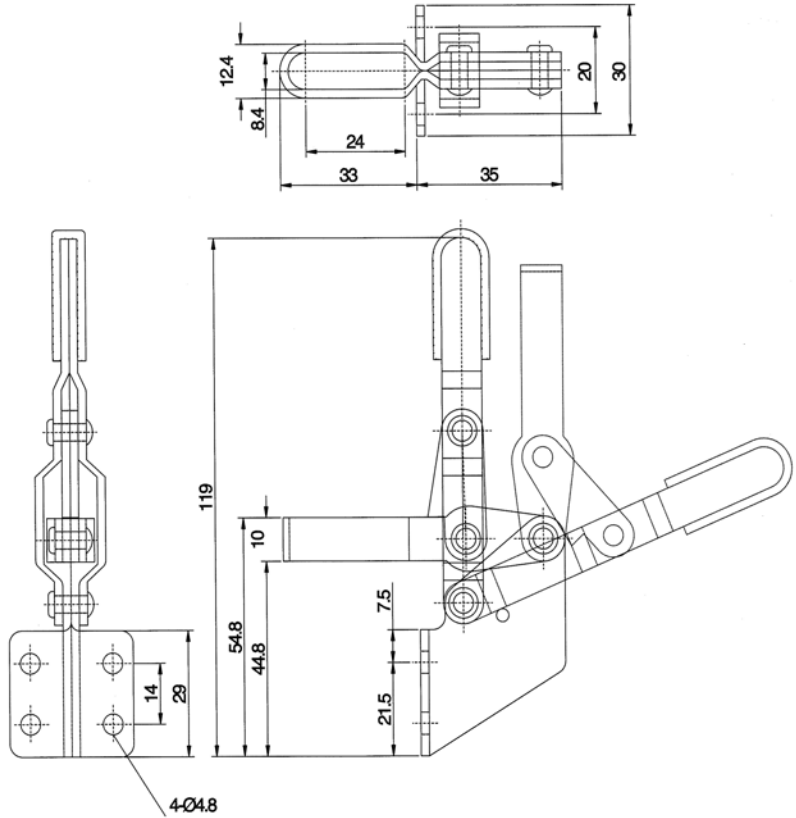


**GH-101-B**

- ▶ WEIGHT:135g
- ▶ HOLDING CAPACITY:100kg
- ▶ SPINDLE SUPPLIED:GH-FC-14134
- ▶ BAR OPENS:90°
- ▶ HANDLE OPENS:65°



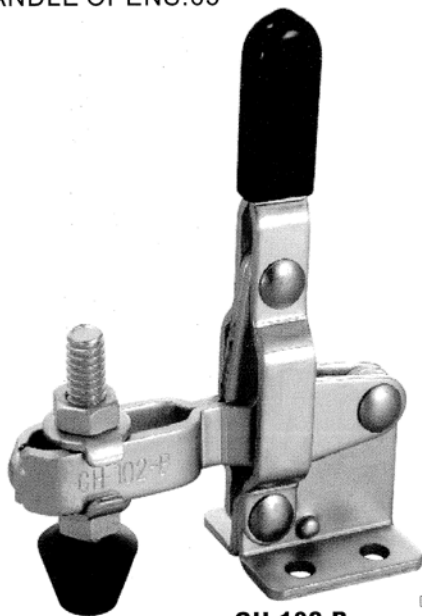
**GH-101-B**



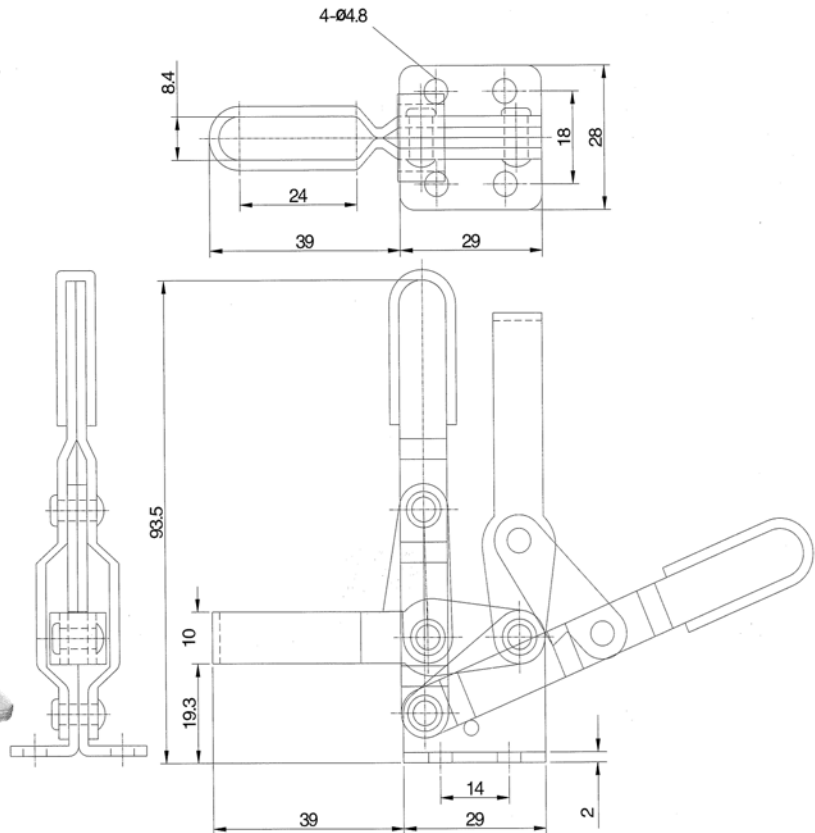
**UNT:mm**

**GH-102-B**

- ▶ WEIGHT:115g
- ▶ HOLDING CAPACITY:100kg
- ▶ SPINDLE SUPPLIED:GH-FC-14134
- ▶ BAR OPENS:90°
- ▶ HANDLE OPENS:65°



**GH-102-B**



**UNT:mm**

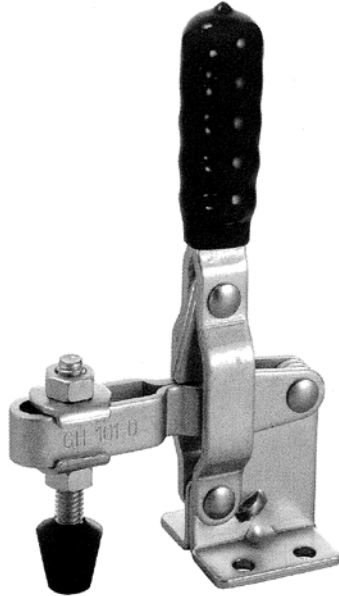




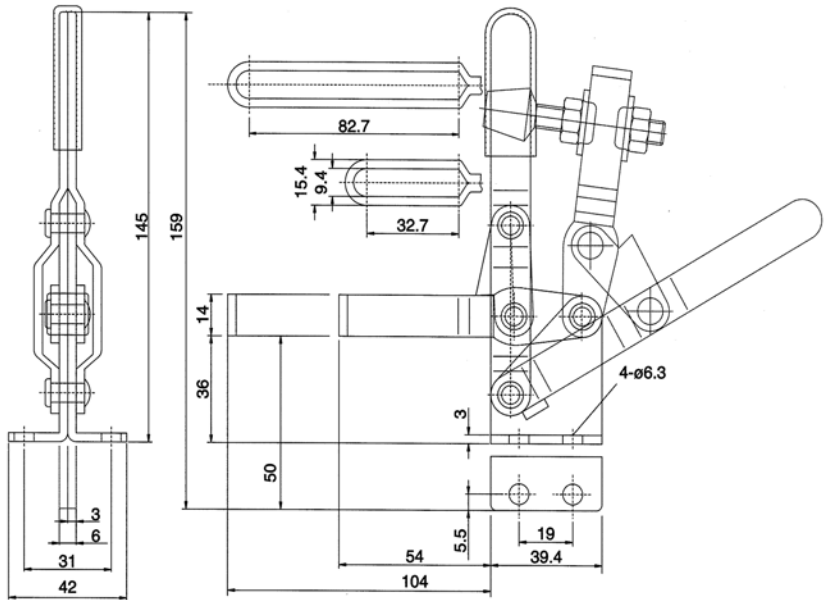
**GH-101-D AND GH-101-E**

**GH-101-DI AND GH-101-EI**

- ▶ HOLDING CAPACITY: 180kg
- ▶ SPINDLE SUPPLIED: GH-FC-56212
- ▶ BAR OPENS: 100°
- ▶ HANDLE OPENS: 60°



**GH-101-D**

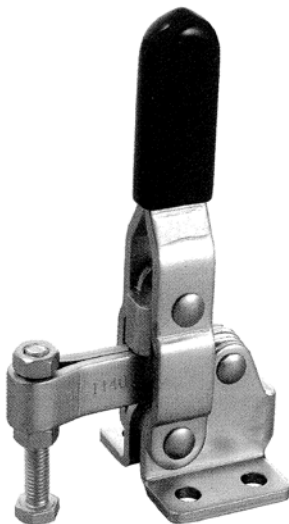


UNT:mm

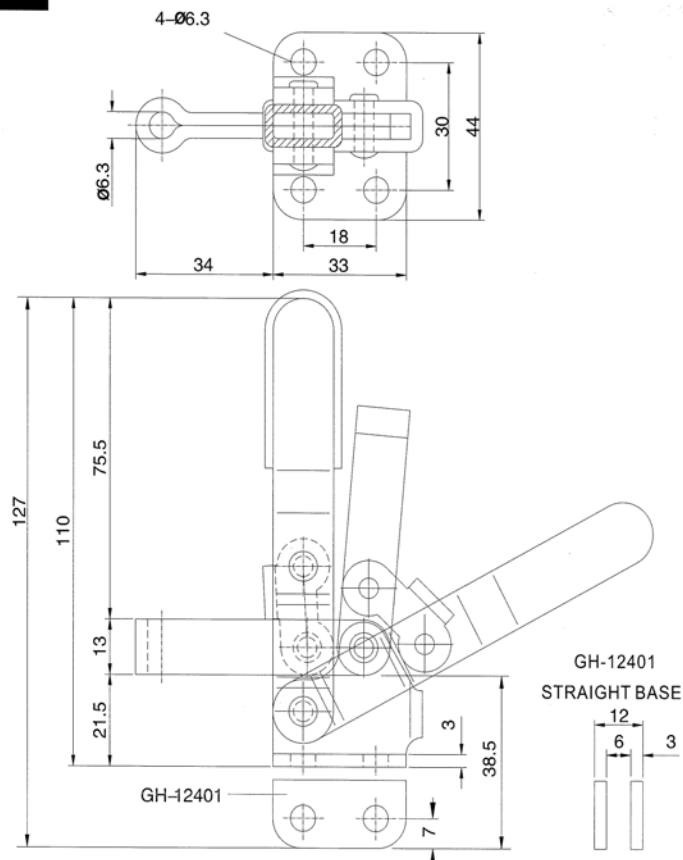
MODEL	DESCRIPTION	WEIGHT(g)
GH-101-D	U-BAR, FLANGED BASE, STRAIGHT HANDLE	330g
GH-101-DI	U-BAR, STRAIGHT BASE, STRAIGHT HANDLE	
GH-101-E	LONG U-BAR, FLANGED BASE, STRAIGHT HANDLE	360g
GH-101-EI	LONG U-BAR, STRAIGHT BASE, STRAIGHT HANDLE	
GH-101-DL	U-BAR, FLANGED BASE, LONG HANDLE	

**GH-11401 AND GH-12401**

- ▶ WEIGHT: 200g
- ▶ HOLDING CAPACITY: 100kg
- ▶ SPINDLE SUPPLIED: GH-SA-064010
- ▶ BAR OPENS: 95°
- ▶ HANDLE OPENS: 65°



**GH-11401**

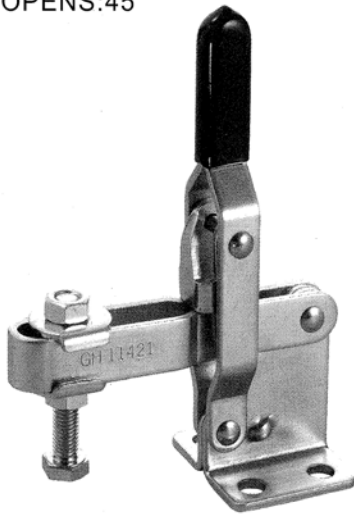


UNT:mm

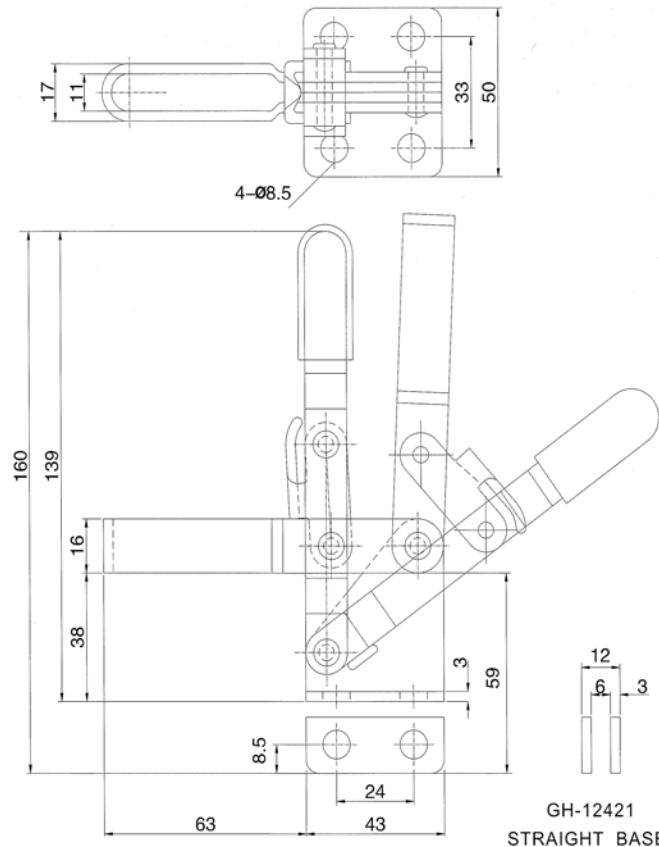
MODEL	DESCRIPTION
GH-11401	FLANGED BASE
GH-12401	STRAIGHT BASE

**GH-11421 AND GH-12421**

- ▶ WEIGHT:370g
- ▶ HOLDING CAPACITY:200kg
- ▶ SPINDLE SUPPLIED:GH-SA-085012
- ▶ BAR OPENS:94°
- ▶ HANDLE OPENS:45°



**GH-11421**

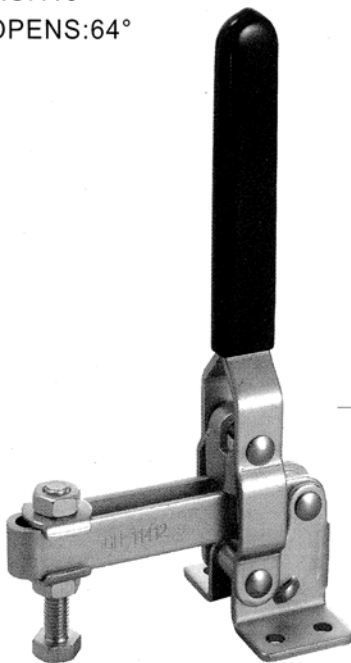


**UNT:mm**

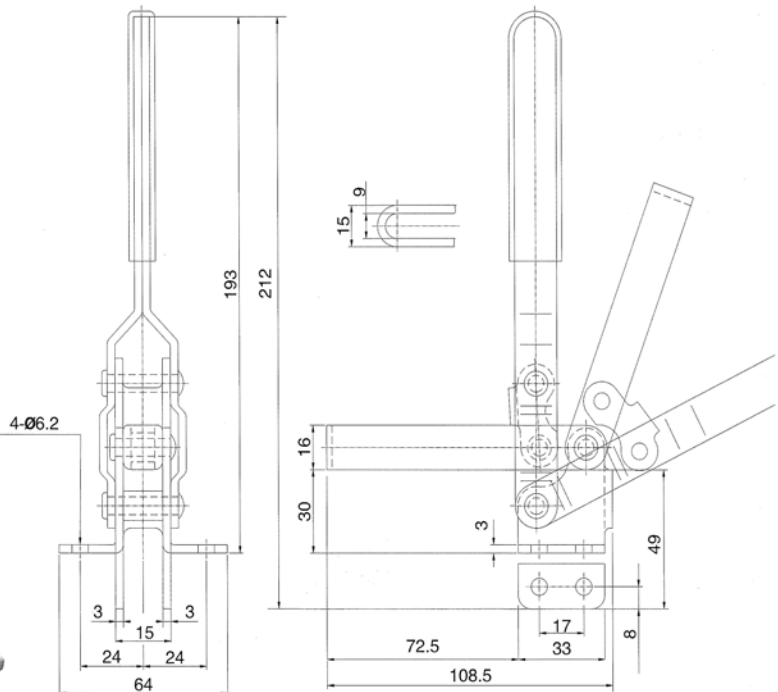
MODEL	DESCRIPTION
GH-11421	FLANGED BASE
GH-12421	STRAIGHT BASE
GH-11421-SS	STAINLESS STEEL

**GH-11412 AND GH-12412**

- ▶ WEIGHT:370g
- ▶ HOLDING CAPACITY:200kg
- ▶ SPINDLE SUPPLIED:GH-SA-085012
- ▶ BAR OPENS:110°
- ▶ HANDLE OPENS:64°



**GH-11412**



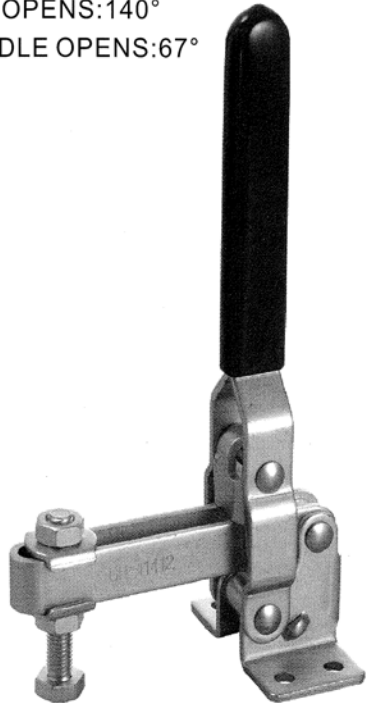
**UNT:mm**

MODEL	DESCRIPTION
GH-11412	FLANGED BASE
GH-12412	STRAIGHT BASE

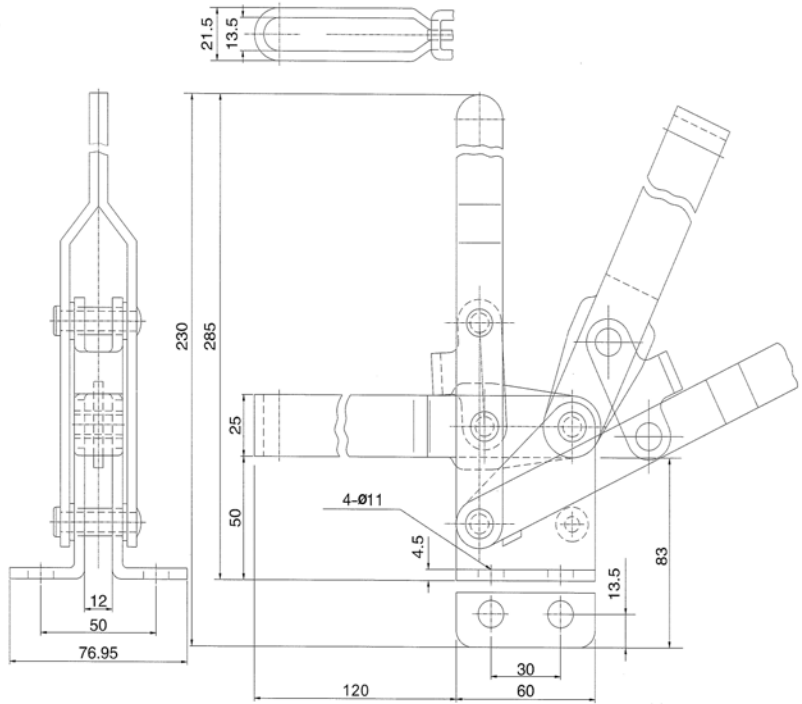


## GH-14412 AND GH-13412

- ▶ WEIGHT: 1140g
- ▶ HOLDING CAPACITY: 300kg
- ▶ SPINDLE SUPPLIED: GH-SA-109015
- ▶ BAR OPENS: 140°
- ▶ HANDLE OPENS: 67°



**GH-14412**

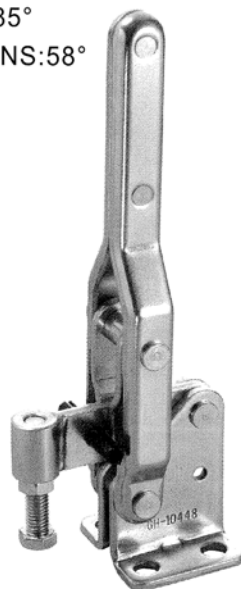


UNT:mm

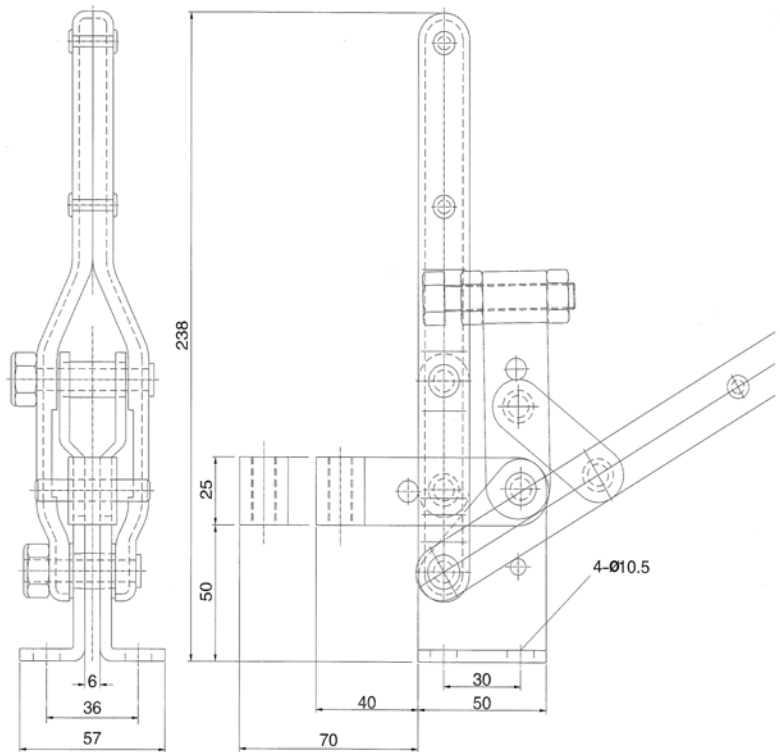
MODEL	DESCRIPTION
GH-14412	FLANGED BASE
GH-13412	STRAIGHT BASE

## GH-10444 AND GH-10448

- ▶ Hardened bushings
- ▶ Removable ground pins
- ▶ HOLDING CAPACITY: 400kg
- ▶ SPINDLE SUPPLIED: GH-SA-38200
- ▶ BAR OPENS: 85°
- ▶ HANDLE OPENS: 58°



**GH-10448**

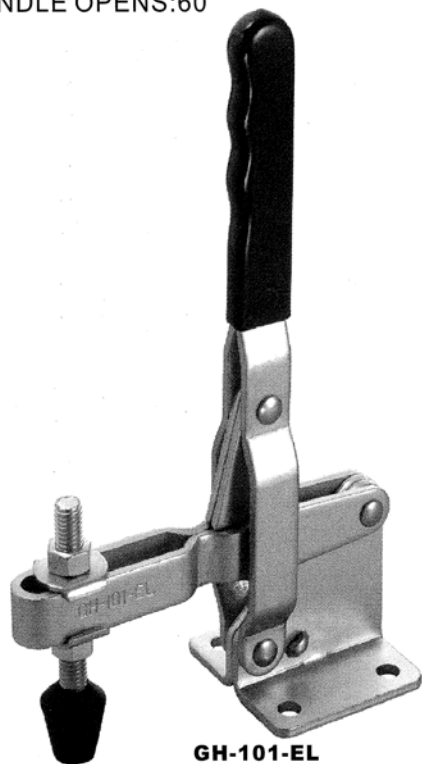


UNT:mm

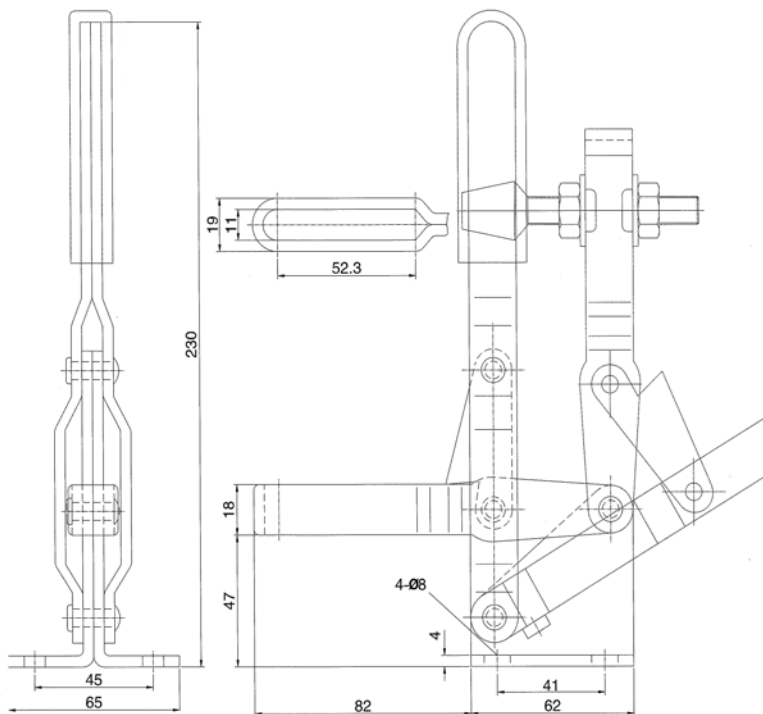
MODEL	DESCRIPTION	WEIGHT(g)
GH-10444	LONG BAR	870g
GH-10448	SHORT BAR	840g

**GH-101-EL**

- ▶ WEIGHT: 838g
- ▶ HOLDING CAPACITY: 360kg
- ▶ SPINDLE SUPPLIED: GH-FC-38312
- ▶ BAR OPENS: 90°
- ▶ HANDLE OPENS: 60°



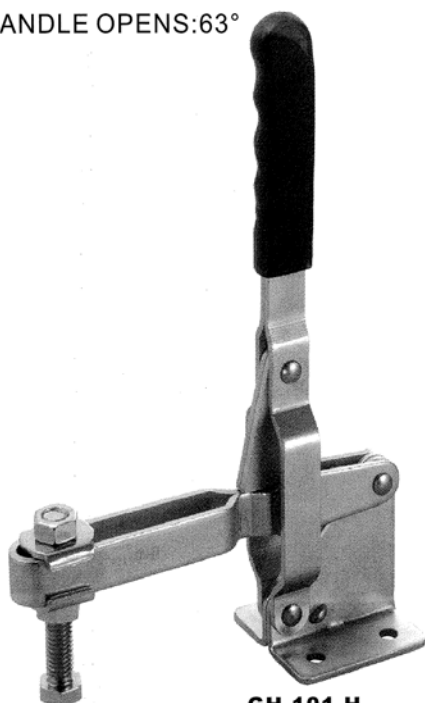
**GH-101-EL**



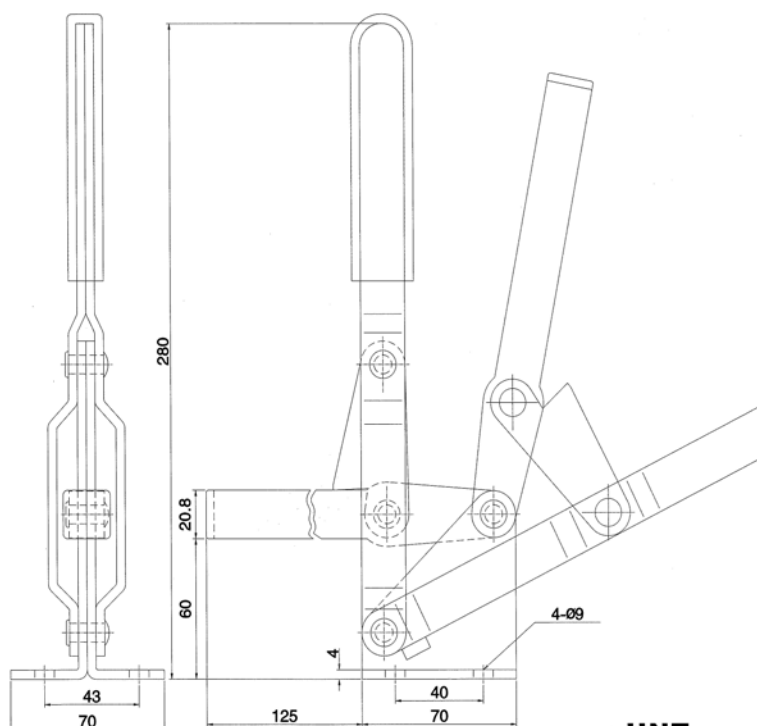
**UNT:mm**

**GH-101-H**

- ▶ WEIGHT: 1220g
- ▶ HOLDING CAPACITY: 450kg
- ▶ SPINDLE SUPPLIED: GH-SA-12300
- ▶ BAR OPENS: 101°
- ▶ HANDLE OPENS: 63°



**GH-101-H**

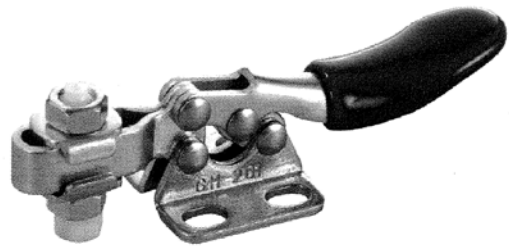


**UNT:mm**



## GH-201 THRU 201-R

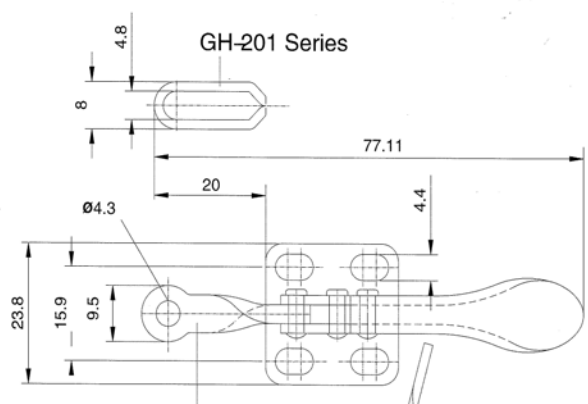
- ▶ HOLDING CAPACITY: 27kg
- ▶ SPINDLE SUPPLIED: GH-SA-08034 (NYLON)
- ▶ BAR OPENS: 90°
- ▶ HANDLE OPENS: 80°



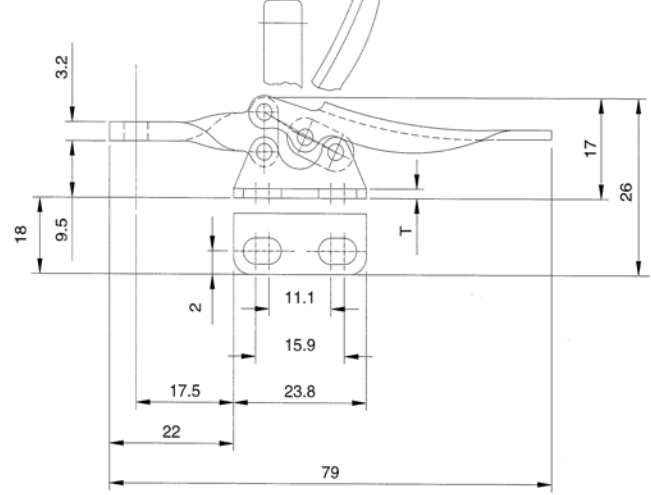
**GH-201**



**GH-201-A**



**GH-201-A Series**

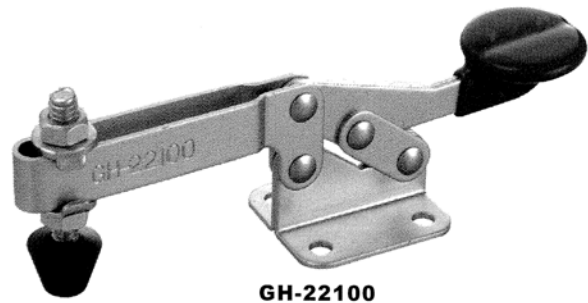


MODEL	DESCRIPTION	WEIGHT(g)	T
GH-201-A	SOLID BAR, FLANGED BASE	30	1.6
GH-201-AI	SOLID BAR, STRAIGHT BASE	30	1.6
GH-201-AL	SOLID BAR, LEFT HAND FLANGED BASE	30	3.2
GH-201-AR	SOLID BAR, RIGHT HAND FLANGED BASE	30	3.2
GH-201	U-BAR, FLANGED BASE	35	1.6
GH-201-I	U-BAR, STRAIGHT BASE	35	1.6
GH-201-L	U-BAR, LEFT HAND FLANGED BASE	35	3.2
GH-201-R	U-BAR, RIGHT HAND FLANGED BASE	35	3.2
GH-201-SS	STAINLESS STEEL		
GH-201-ASS	STAINLESS STEEL		

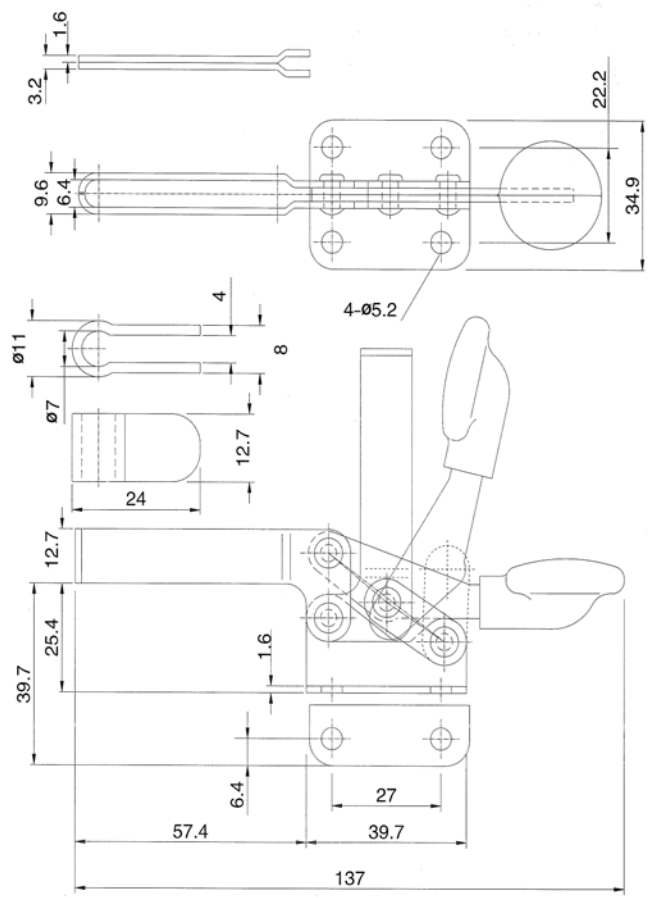
UNT:mm

## GH-22100 THRU GH-22115

- ▶ WEIGHT: 110g
- ▶ HOLDING CAPACITY: 68kg
- ▶ SPINDLE SUPPLIED: GH-FC-14134
- ▶ BAR OPENS: 90°
- ▶ HANDLE OPENS: 90°



**GH-22100**



MODEL	DESCRIPTION
GH-22100	U-BAR, FLANGED BASE
GH-22105	U-BAR, STRAIGHT BASE
GH-22110	SOLID BAR, FLANGED BASE
GH-22115	SOLID BAR, STRAIGHT BASE

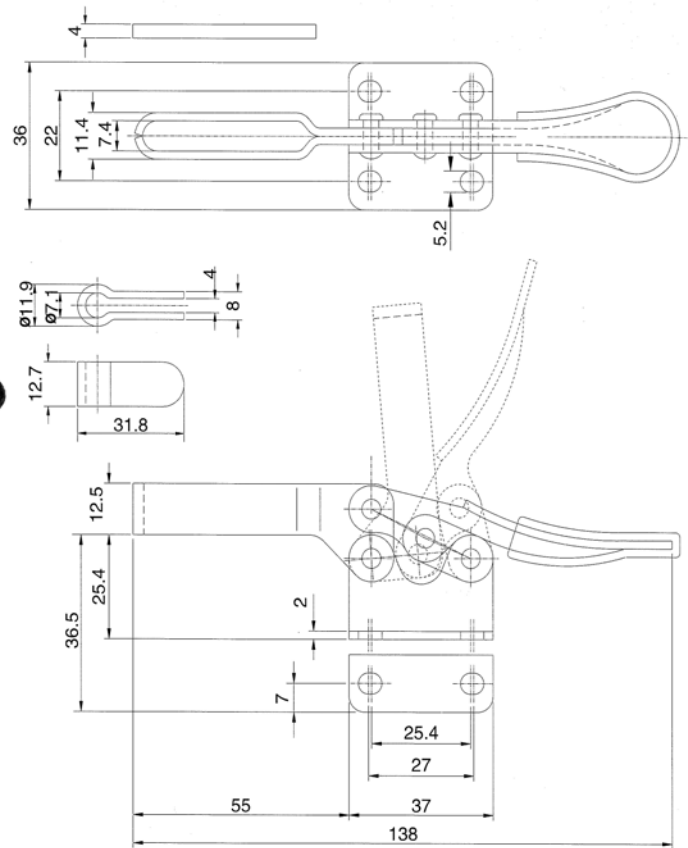
UNT:mm

## GH-201-B GH-201-BSI

- WEIGHT:130g
- HOLDING CAPACITY:90kg
- SPINDLE SUPPLIED:GH-FC-14134
- BAR OPENS:85°
- HANDLE OPENS:60°



GH-201-B

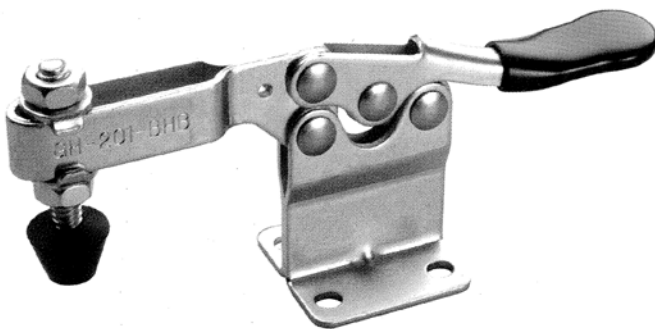


UNT:mm

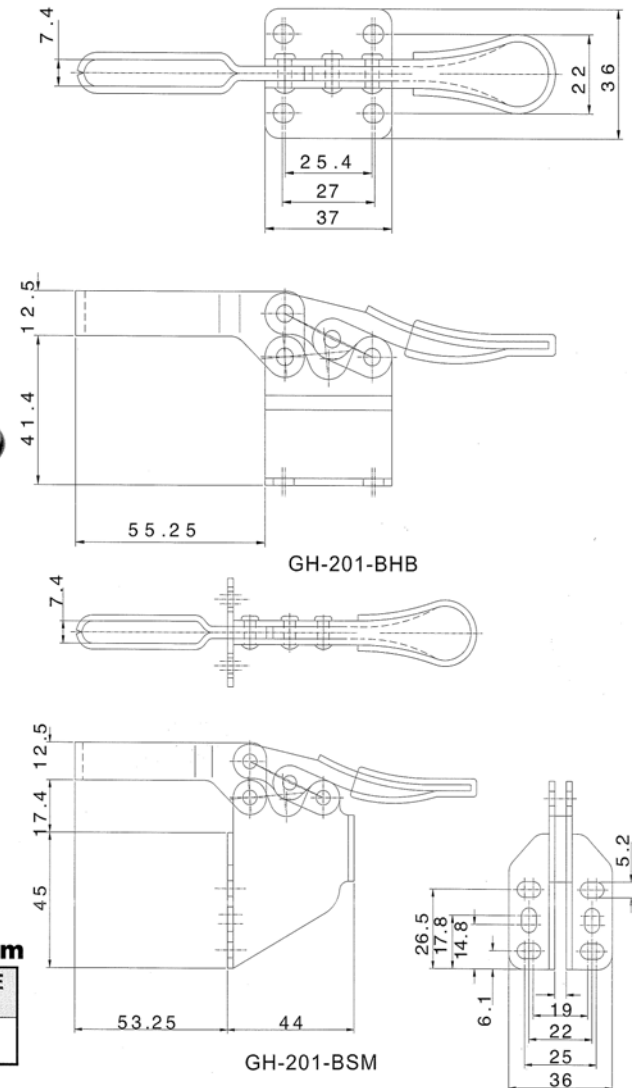
MODEL	DESCRIPTION
GH-201-B	U-BAR, FLANGED BASE
GH-201-BI	U-BAR, STRAIGHT BASE
GH-201-BS	SOLID BAR, FLANGED BASE
GH-201-BSI	SOLID BAR, STRAIGHT BASE
GH-201-BSS	STAINLESS STEEL

## GH-201-BHB GH-201-BSM

- HOLDING CAPACITY:90kg
- SPINDLE SUPPLIED:GH-FC-14134
- BAR OPENS:85°
- HANDLE OPENS:60°



GH-201-BHB



UNT:mm

MODEL	WEIGHT(g)	HOLDING CAPACITY(kg)	SPINDLE SUPPLIED	BAR OPENS	HANDLE OPENS
GH-201-BHB	146	90	GH-FC-14134	85°	60°
GH-201-BSM	163				

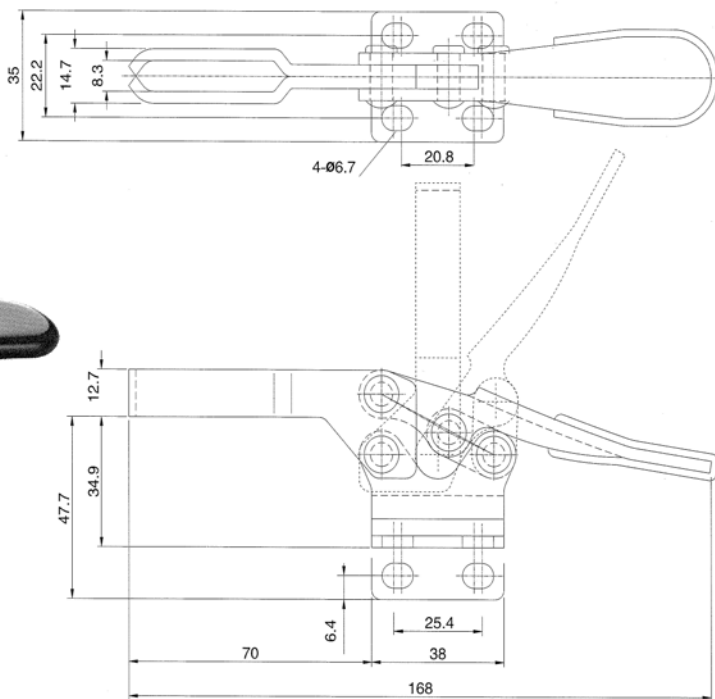
## GH-225-B THRU GH-225-DI

- ▶ WEIGHT:265g
- ▶ HOLDING CAPACITY:227kg
- ▶ SPINDLE SUPPLIED:GH-FC-56212
- ▶ BAR OPENS:90°
- ▶ HANDLE OPENS:65°



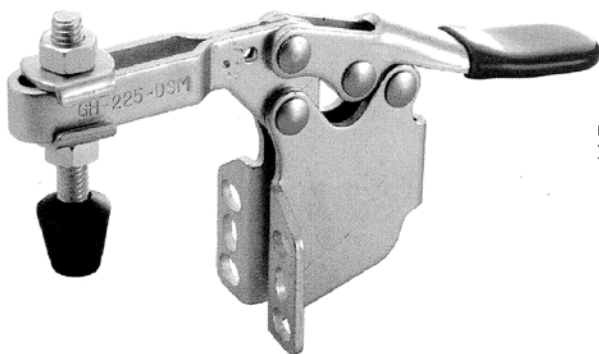
**GH-225-D**

MODEL	DESCRIPTION
GH-225-D	U-BAR,FLANGED BASE
GH-225-DI	U-BAR,STRAIGHT BASE
GH-225-DSS	STAINLESS STEEL

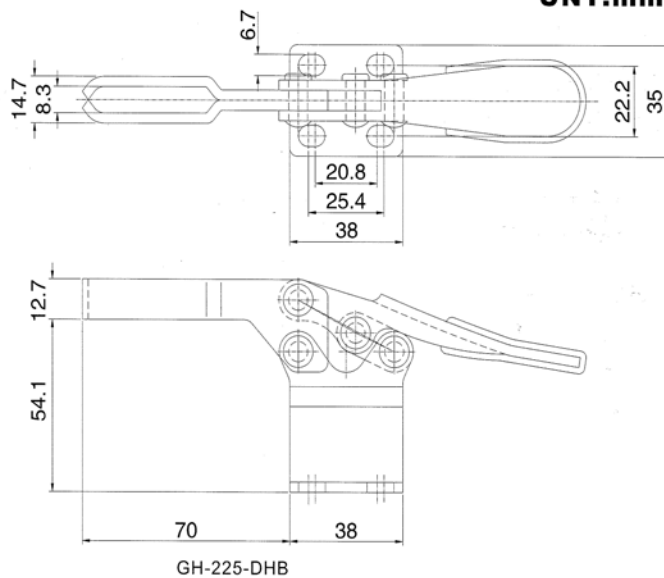


UNT:mm

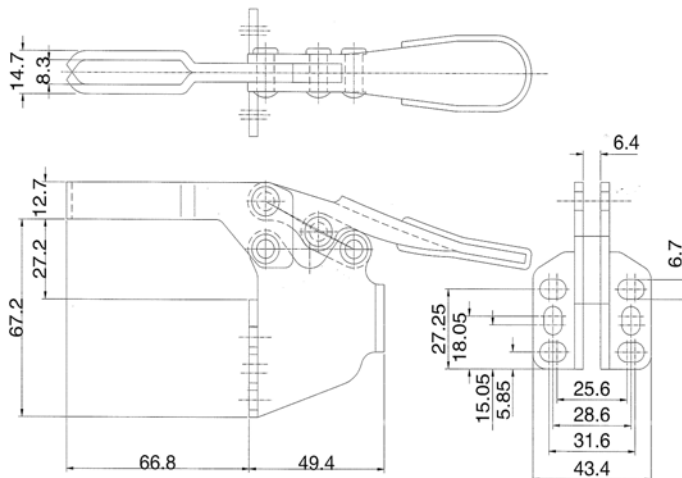
## GH-225-DHB GH-225-DSM



**GH-225-DSM**



GH-225-DHB



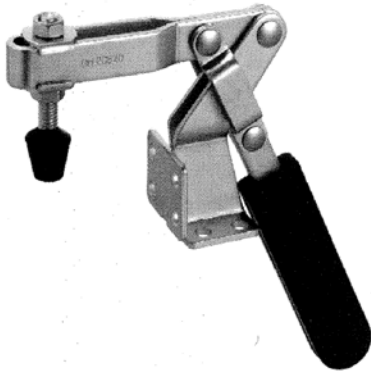
GH-225-DSM

MODEL	WEIGHT(g)	HOLDING CAPACITY(kg)	SPINDLE SUPPLIED	BAR OPENS	HANDLE OPENS
GH-225-DHB	286	227	GH-FC-56212	90°	65°
GH-225-DSM	315				

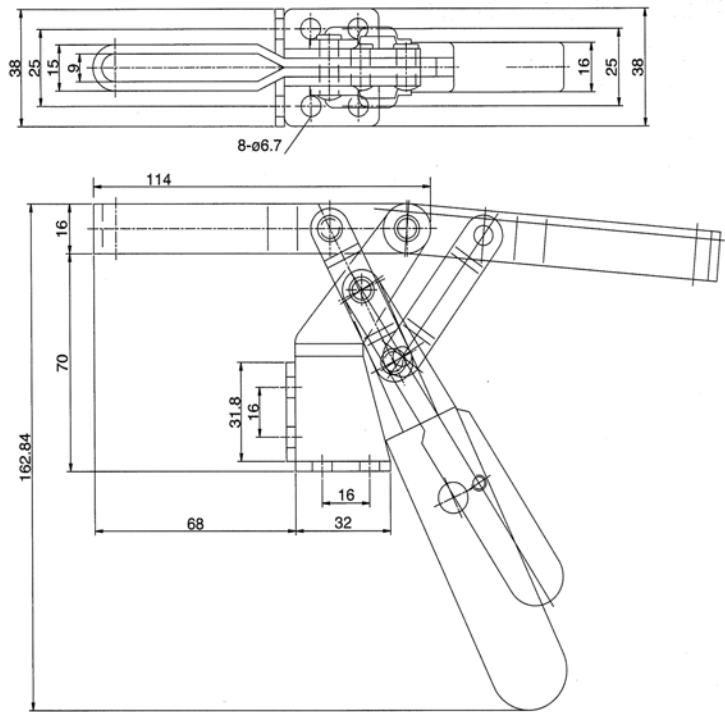
UNT:mm

## GH-20820

- ▶ WEIGHT:400g
- ▶ HOLDING CAPACITY:100kg
- ▶ SPINDLE SUPPLIED:GH-FC-56212
- ▶ BAR OPENS:185°
- ▶ HANDLE OPENS:60°



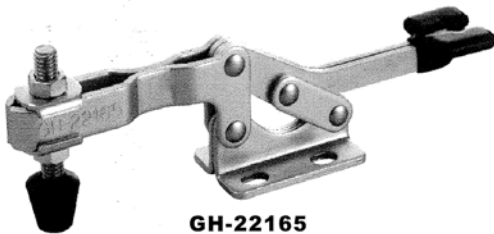
GH-20820



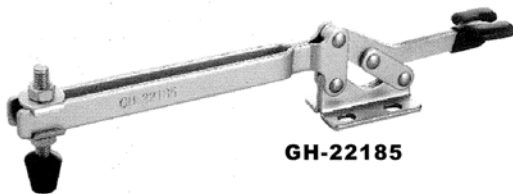
UNT:mm

## GH-22165 THROUGH GH-22200

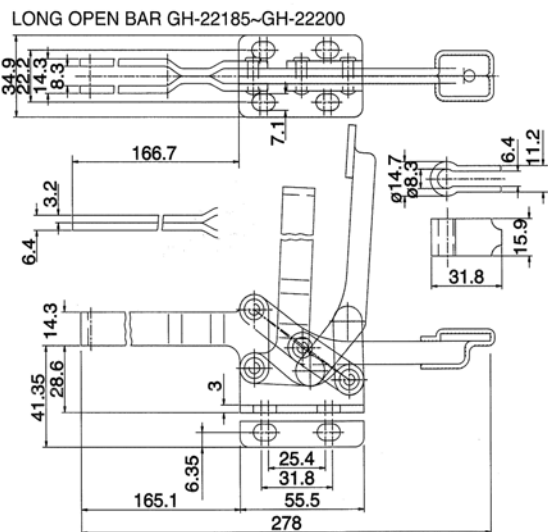
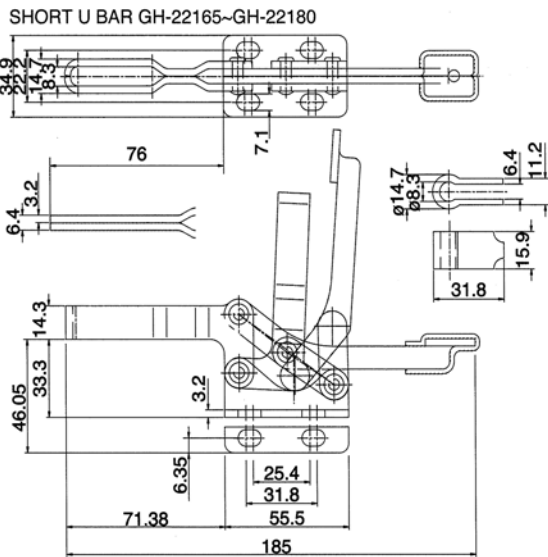
- ▶ HOLDING CAPACITY:250kg
- ▶ SPINDLE SUPPLIED:GH-FC-56212
- ▶ BAR OPENS:96°
- ▶ HANDLE OPENS:88°



GH-22165



GH-22185



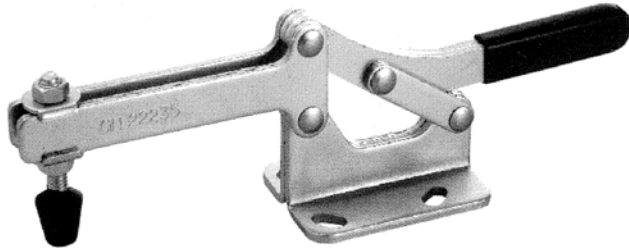
MODEL	DESCRIPTION	WEIGHT(g)
GH-22165	SHORT U-BAR, FLANGED BASE	285
GH-22170	SHORT U-BAR, STRAIGHT BASE	285
GH-22175	SHORT SOLID BAR, FLANGED BASE	300
GH-22180	SHORT SOLID BAR, STRAIGHT BASE	300
GH-22185	LONG OPEN BAR, FLANGED BASE	360
GH-22190	LONG OPEN BAR, STRAIGHT BASE	360
GH-22195	LONG SOLID BAR, FLANGED BASE	365
GH-22200	LONG SOLID BAR, STRAIGHT BASE	365

UNT:mm



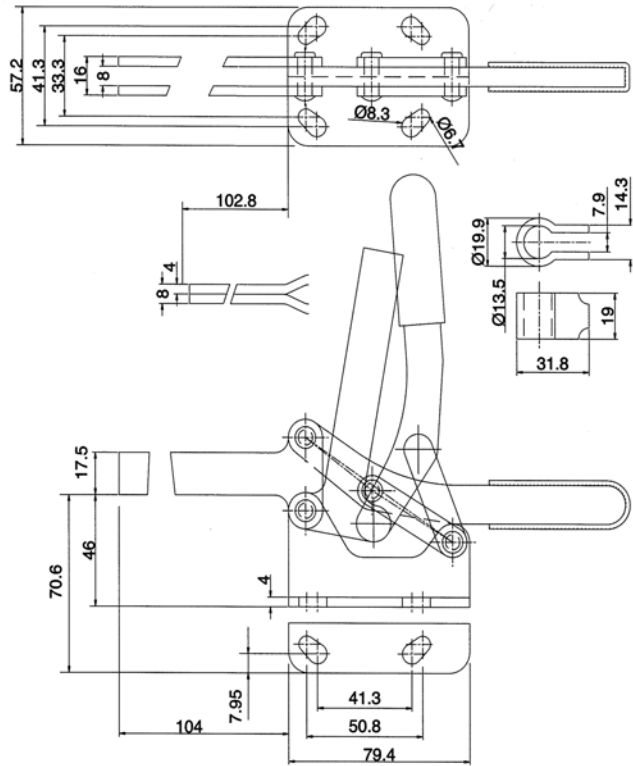
## GH-22235 THRU GH-22250

- ▶ HOLDING CAPACITY: 273kg
- ▶ SPINDLE SUPPLIED: GH-FC-56212
- ▶ BAR OPENS: 111°
- ▶ HANDLE OPENS: 94°



**GH-22235**

MODEL	DESCRIPTION	WEIGHT(g)
GH-22235	OPEN BAR, FLANGED BASE	640
GH-22240	OPEN BAR, STRAIGHT BASE	640
GH-22245	SOLID BAR, FLANGED BASE	655
GH-22250	SOLID BAR, STRAIGHT BASE	655



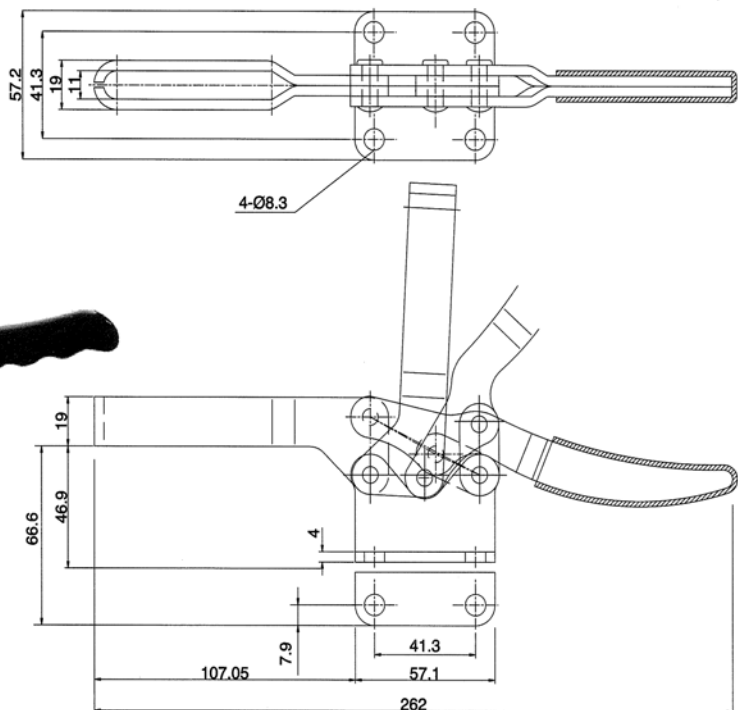
UNT:mm

## GH-20235 THRU GH-20236

- ▶ WEIGHT: 640g
- ▶ HOLDING CAPACITY: 340kg
- ▶ SPINDLE SUPPLIED: GH-FC-38312
- ▶ BAR OPENS: 85°
- ▶ HANDLE OPENS: 50°



**GH-20235**

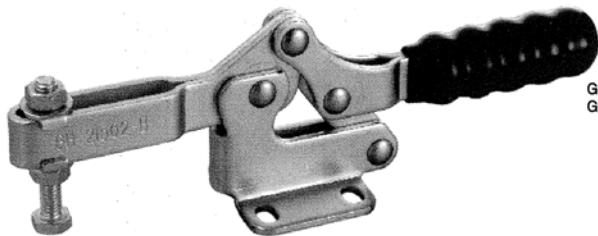


UNT:mm

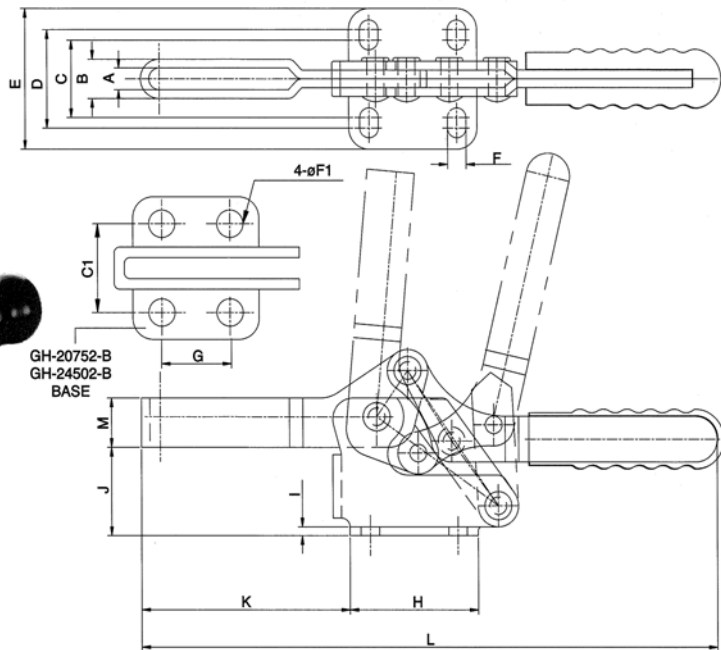
MODEL	DESCRIPTION
GH-20235	U-BAR, FLANGED BASE
GH-20236	U-BAR, STRAIGHT BASE
GH-20235-SS	STAINLESS STEEL

## GH-20752-B THRU GH-24502-B

- GH-24502-B has
- Hardened bushings
- Removable ground pins.



GH-21502-B

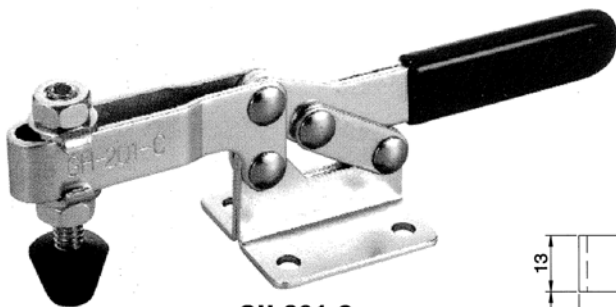


UNT:mm

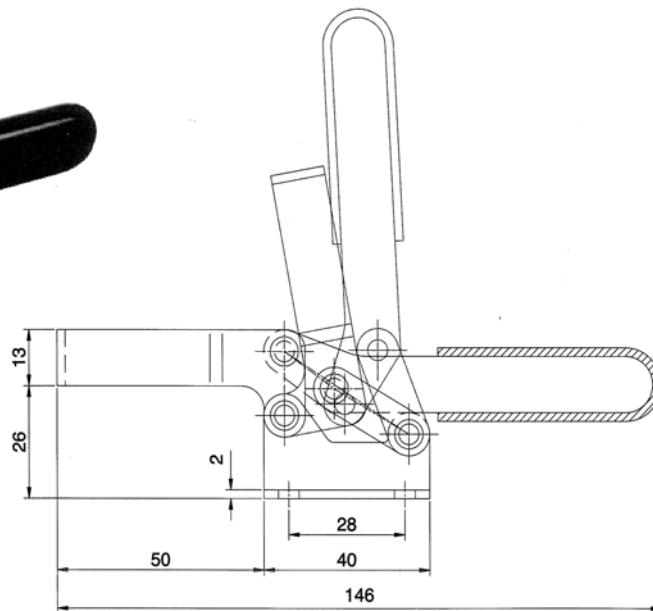
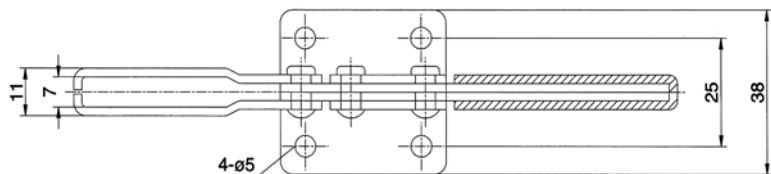
MODEL	WEIGHT(g)	HOLDING CAPACITY(kg)	SPINDLE SUPPLIED	BAR OPENS	HANDLE OPENS	A	B	C	C1	D	E	F	ØF1	G	H	I	J	K	L	M
GH-20752-B	100	75	GH-SA-053008	94°	76°	5.8	9.8	-	16.8	-	27	-	5.2	13.5	25	2	19	37	109	9.5
GH-21502-B	230	150	GH-SA-064010			6.2	11.2	22	-	28	40	5.5	-	26	38	2.5	25.05	61.87	171	14
GH-22502-B	430	250	GH-SA-085012			9	15	26	-	31	47	6.6	-	26	42	3	34	79	219	17.5
GH-23502-B	500	350	GH-SA-107515			11.4	19.4	39	-	42.9	59	8.7	-	41.2	59	4	45	108	274	23
GH-24502-B	1400	450	GH-SA-121017			13.2	23.2	-	41.3	-	57	-	8.7	41.2	66	4	59	128	303	26
GH-21502-BSS	STAINLESS STEEL																			
GH-20752-BSS	STAINLESS STEEL																			

## GH-201-C

- WEIGHT:140g
- HOLDING CAPACITY:100kg
- SPINDLE SUPPLIED:GH-FC-14134
- BAR OPENS:79°
- HANDLE OPENS:87°



GH-201-C



UNT:mm



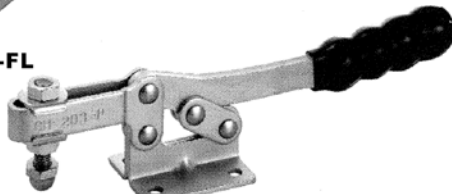
## GH-203-F      GH-202-F

## GH-203-FL   GH-202-FL   GH-203-P

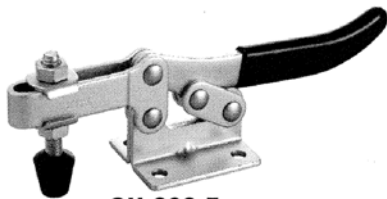
- ▶ HOLDING CAPACITY: 227kg
- ▶ SPINDLE SUPPLIED: GH-FC-56212
- ▶ BAR OPENS: 85°
- ▶ HANDLE OPENS: 58°



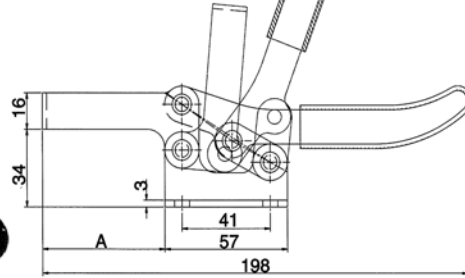
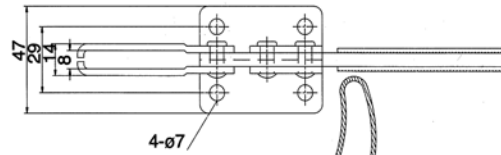
**GH-202-FL**



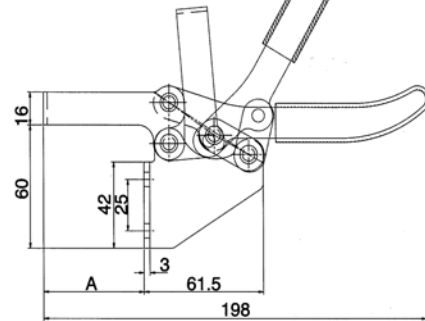
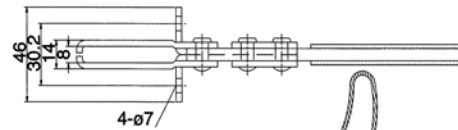
**GH-203-P**



**GH-203-F**



**GH-203-F**



**GH-202-FL**

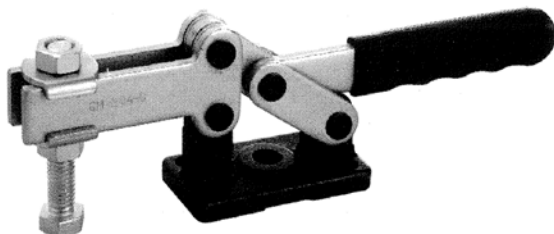
UNT:mm

MODEL	DESCRIPTION	WEIGHT(g)	A
GH-203-F	U-BAR, FLANGED BASE	340	57
GH-203-FL	LONG U-BAR, FLANGED BASE	380	94
GH-202-F	U-BAR, SIDE MOUNTED	385	52
GH-202-FL	LONG U-BAR, SIDE MOUNTED	425	89
GH-203-P	U-BAR, FLANGED BASE, LONG HANDLE	383	57
GH-203-FSS	STAINLESS STEEL		

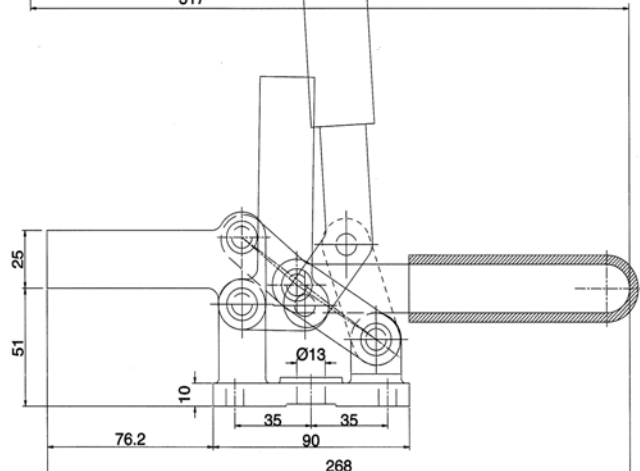
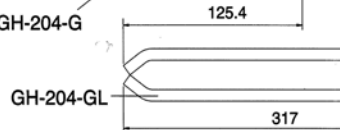
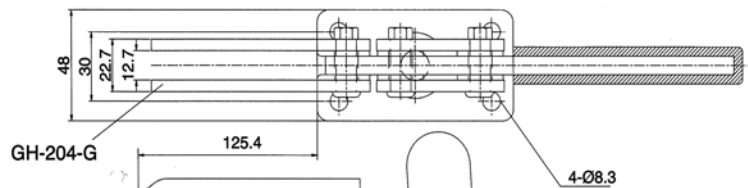
## GH-204-G

## GH-204-GL

- ▶ Heavy Duty
- ▶ Can be Mounted to any Fixture Using the 4 Hole Bolt Pattern or to Any T-Slot Table with 1/2 T-Slot Bolt.
- ▶ Supplied with bushings
- ▶ Hardened ground pivots
- ▶ WEIGHT: 1220g
- ▶ HOLDING CAPACITY: 636kg
- ▶ SPINDLE SUPPLIED: GH-SA-12300
- ▶ BAR OPENS: 91°
- ▶ HANDLE OPENS: 94°



**GH-204-G**



MODEL	DESCRIPTION
GH-204-G	OPEN BAR, DUCTILE IRON BASE
GH-204-GL	LONG OPEN BAR, DUCTILE IRON BASE

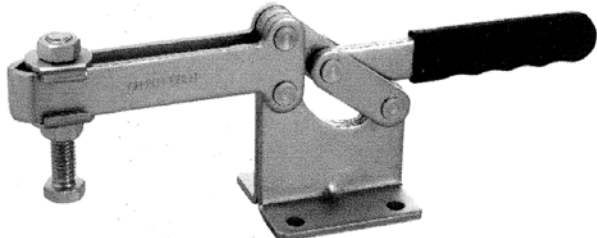
UNT:mm

## GH-204-GB

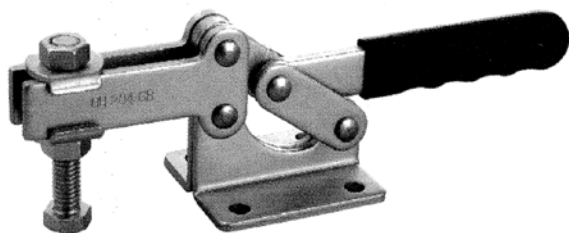
## GH-204-GBL

## GH-204-GBLH

- ▶ HOLDING CAPACITY: 630kg
- ▶ SPINDLE SUPPLIED: GH-SA-12300
- ▶ BAR OPENS: 90°
- ▶ HANDLE OPENS: 94°

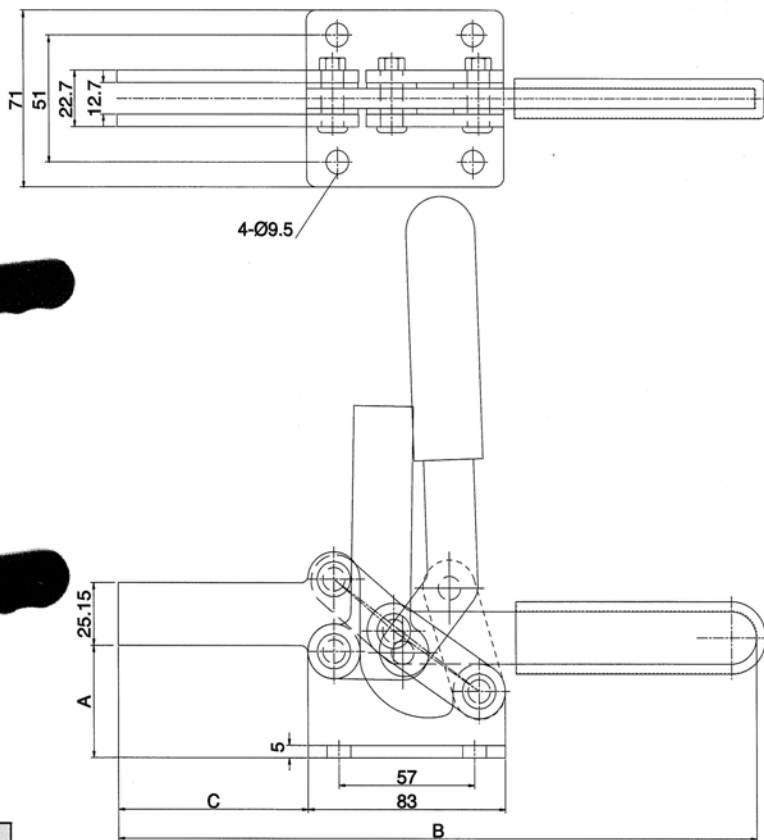


GH-204-GBLH



GH-204-GB

MODEL	DESCRIPTION	WEIGHT(g)	A	B	C
GH-204-GB	SHORT BAR, LOW BASE	1180	45	269	80
GH-204-GBL	LONG BAR, LOW BASE	1260	45	316	127
GH-204-GBLH	LONG BAR, HIGH BASE	1465	71	316	127



UNT:mm

## GH-22005

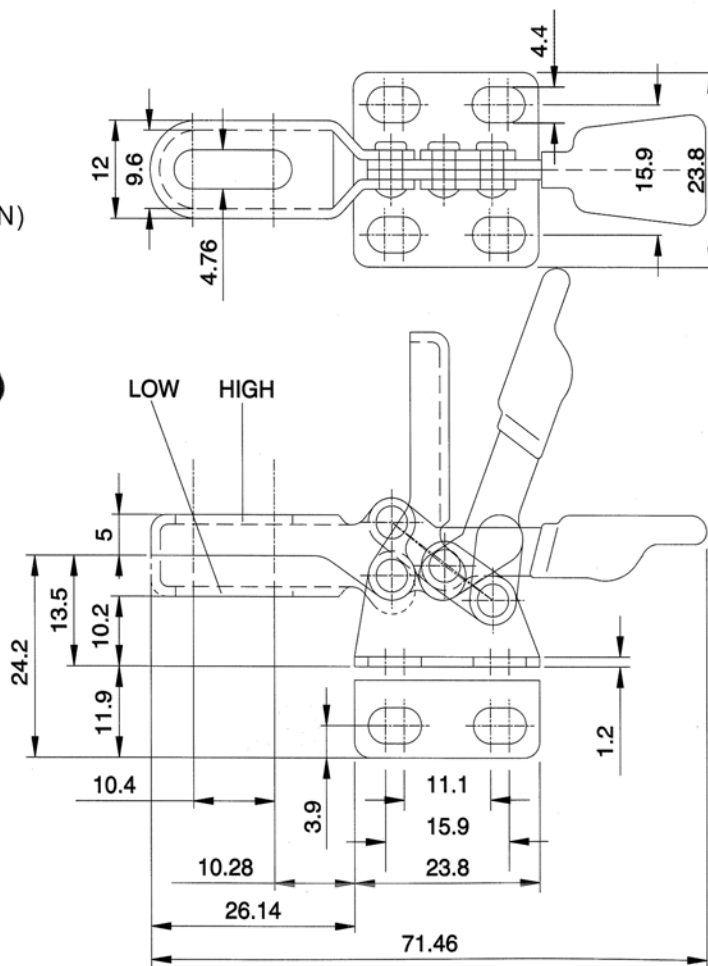
## GH-22040

- ▶ WEIGHT: 25g
- ▶ HOLDING CAPACITY: 22.7kg
- ▶ SPINDLE SUPPLIED: GH-SA-08034(NYLON)
- ▶ BAR OPENS: 90°
- ▶ HANDLE OPENS: 60°



GH-22025

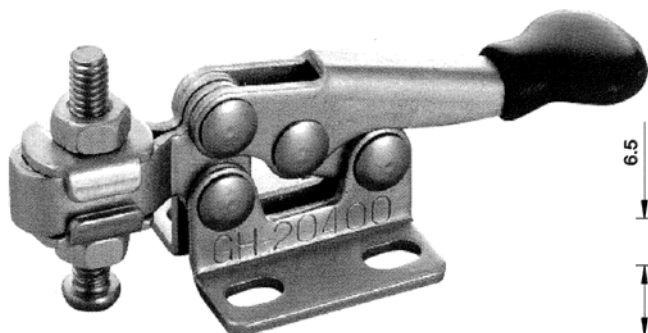
MODEL	DESCRIPTION
GH-22005	HIGH BAR, FLANGED BASE
GH-22010	HIGH BAR, STRAIGHT BASE
GH-22015	HIGH BAR, RIGHT HAND FLANGED BASE
GH-22020	HIGH BAR, LEFT HAND STRAIGHT BASE
GH-22025	LOW BAR, FLANGED BASE
GH-22030	LOW BAR, STRAIGHT BASE
GH-22035	LOW BAR, RIGHT HAND FLANGED BASE
GH-22040	LOW BAR, LEFT HAND STRAIGHT BASE



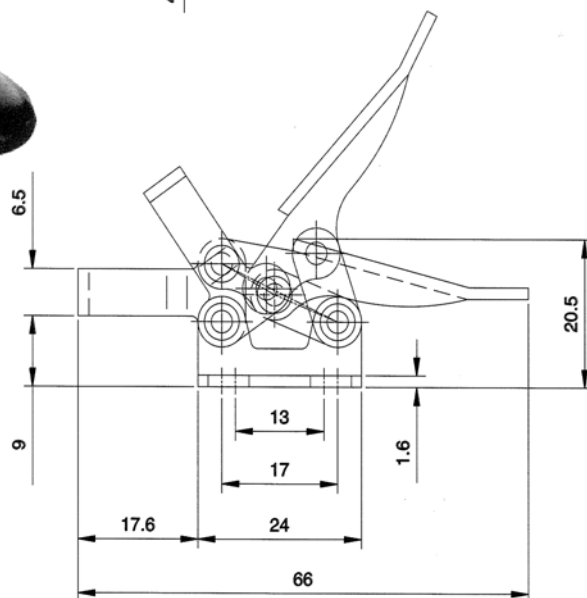
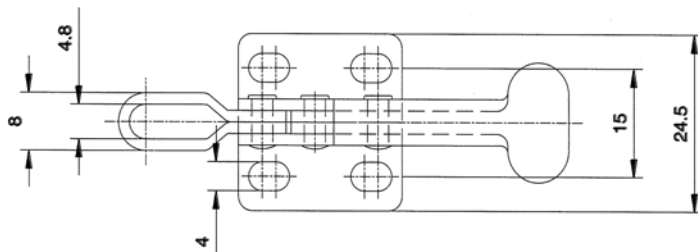
UNT:mm

## GH-20400

- ▶ WEIGHT:25.5g
- ▶ HOLDING CAPACITY:20kg
- ▶ SPINDLE SUPPLIED:GH-SA-042507
- ▶ BAR OPENS:55°
- ▶ HANDLE OPENS:60°



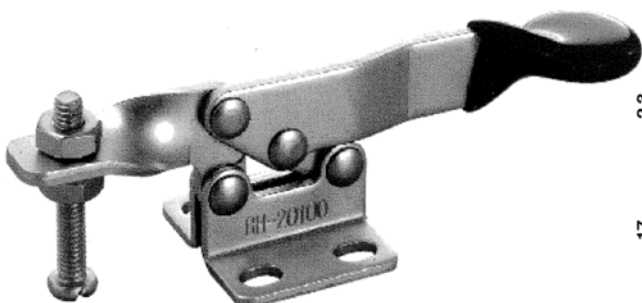
GH-20400



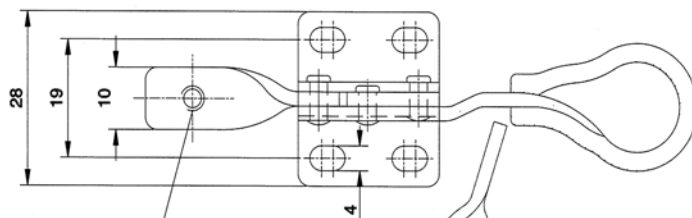
UNT:mm

## GH-20100

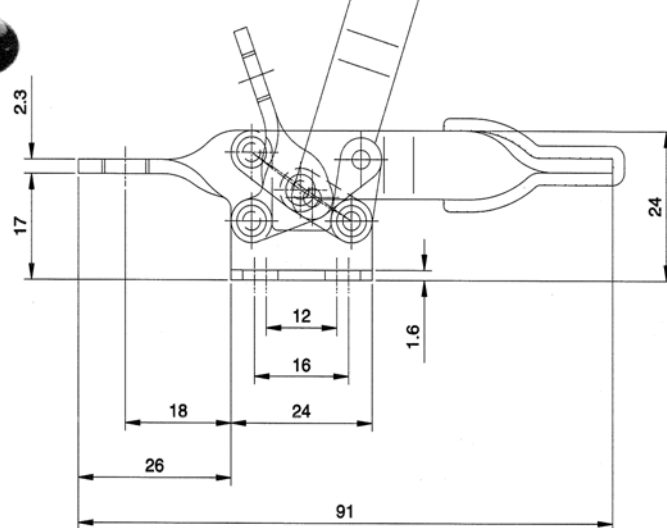
- ▶ WEIGHT:35g
- ▶ HOLDING CAPACITY:20kg
- ▶ SPINDLE SUPPLIED:GH-SA-042507
- ▶ BAR OPENS:75°
- ▶ HANDLE OPENS:75°



GH-20100



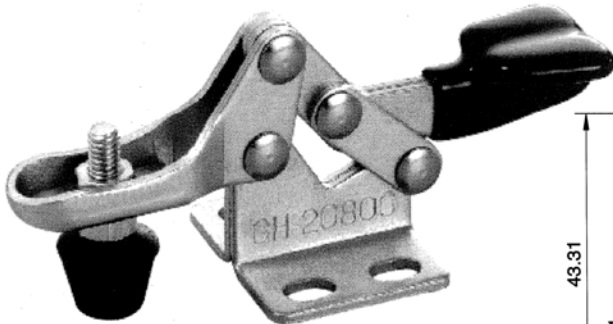
M4 P=0.7



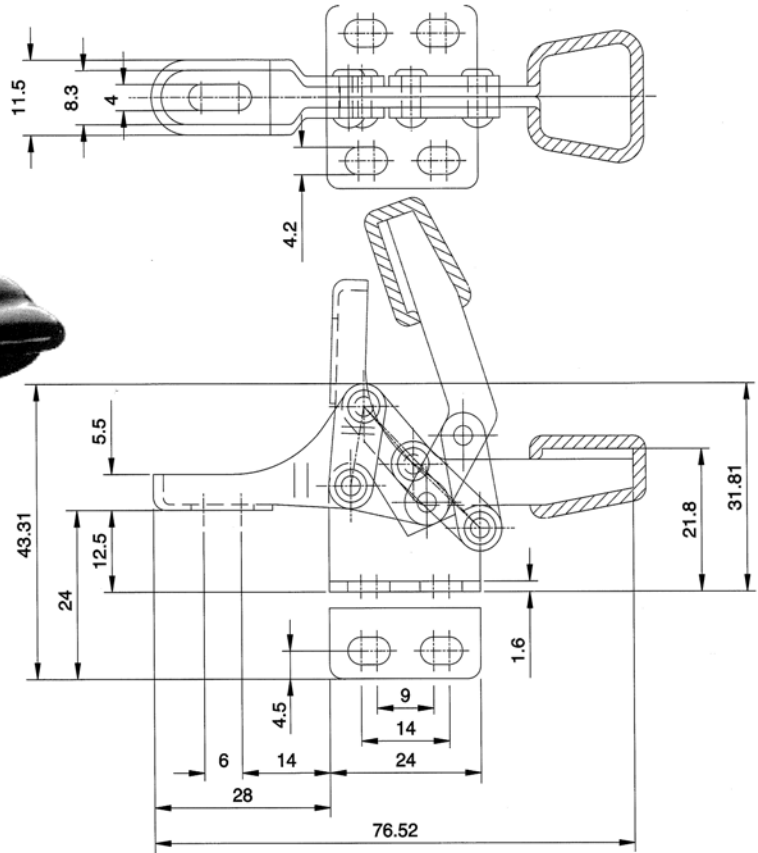
UNT:mm

## GH-20800 AND GH-21800

- ▶ WEIGHT: 40g
- ▶ HOLDING CAPACITY: 30kg
- ▶ SPINDLE SUPPLIED: GH-FC-042507
- ▶ BAR OPENS: 80°
- ▶ HANDLE OPENS: 88°



**GH-20800**

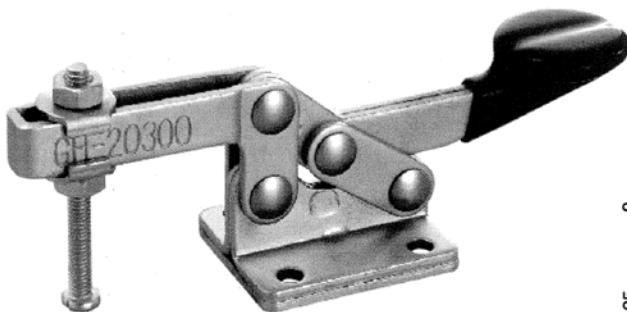


MODEL	DESCRIPTION
GH-20800	FLANGED BASE
GH-21800	STRAIGHT BASE
GH-20800-SS	STAINLESS STEEL

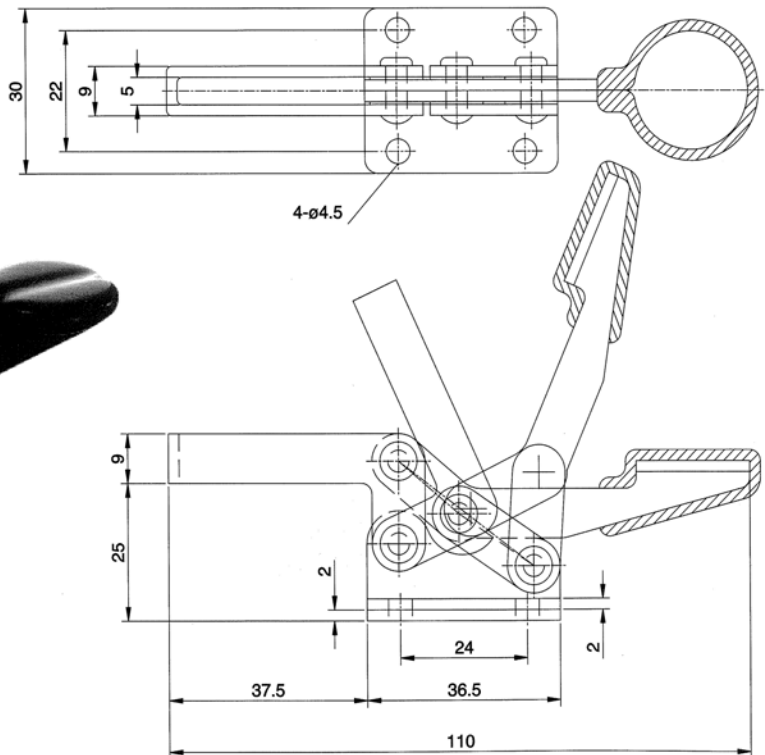
UNT:mm

## GH-20300

- ▶ WEIGHT: 100g
- ▶ HOLDING CAPACITY: 30kg
- ▶ SPINDLE SUPPLIED: GH-SA-044007
- ▶ BAR OPENS: 65°
- ▶ HANDLE OPENS: 55°



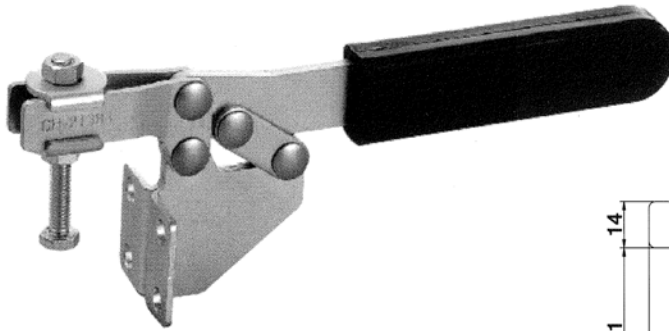
**GH-20300**



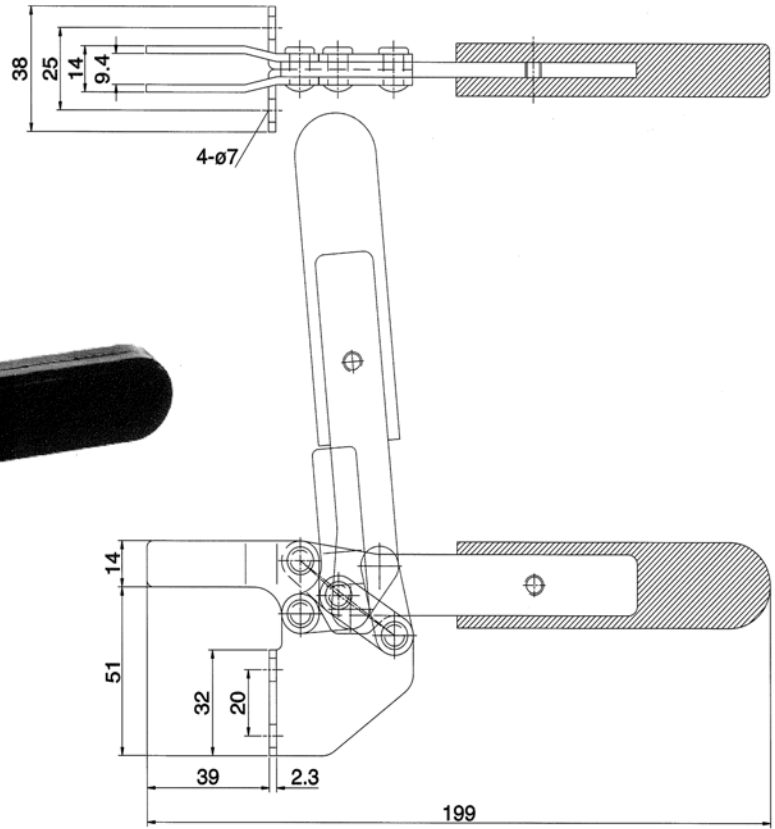
UNT:mm

## GH-21383

- ▶ WEIGHT: 210g
- ▶ HOLDING CAPACITY: 250kg
- ▶ SPINDLE SUPPLIED: GH-SA-065010
- ▶ BAR OPENS: 72°
- ▶ HANDLE OPENS: 72°



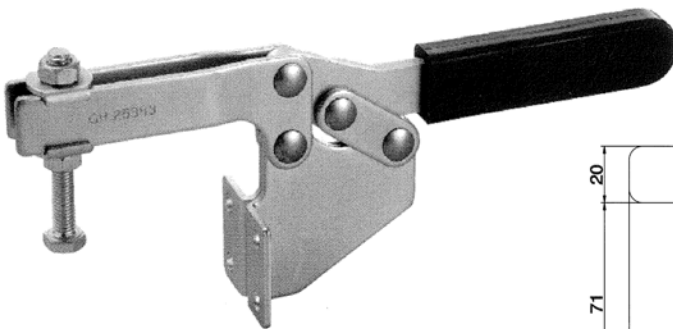
GH-21383



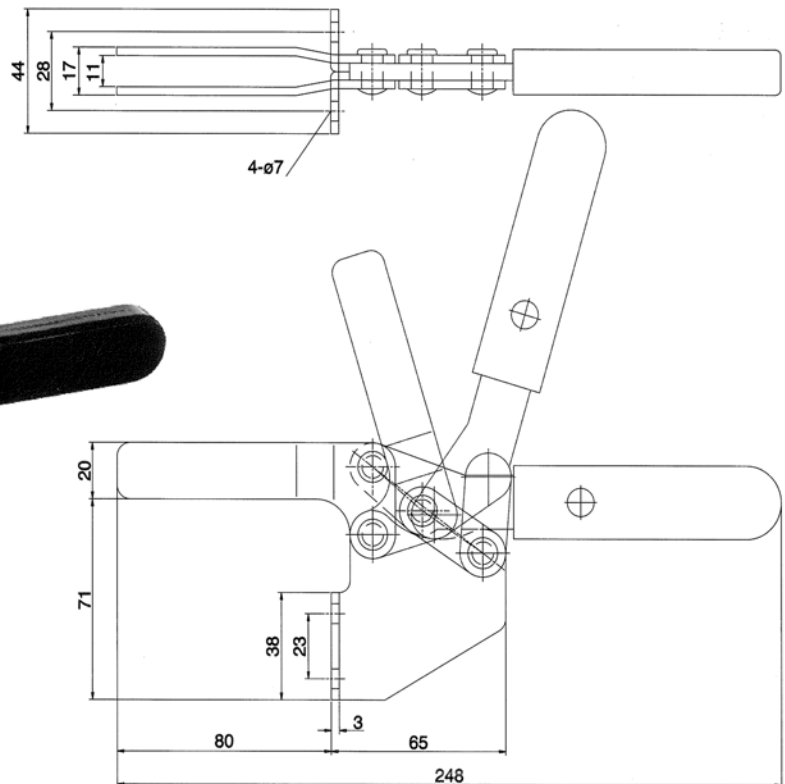
UNT:mm

## GH-25383

- ▶ WEIGHT: 435g
- ▶ HOLDING CAPACITY: 280kg
- ▶ SPINDLE SUPPLIED: GH-SA-086512
- ▶ BAR OPENS: 80°
- ▶ HANDLE OPENS: 80°



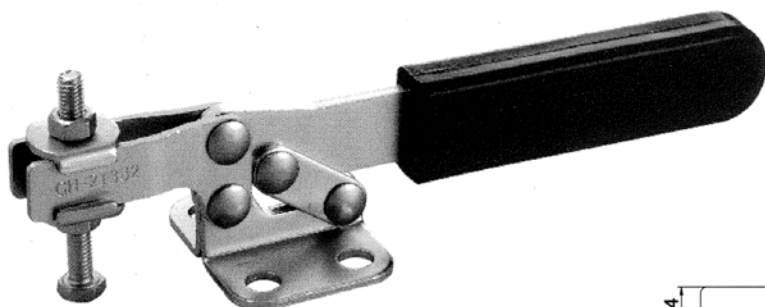
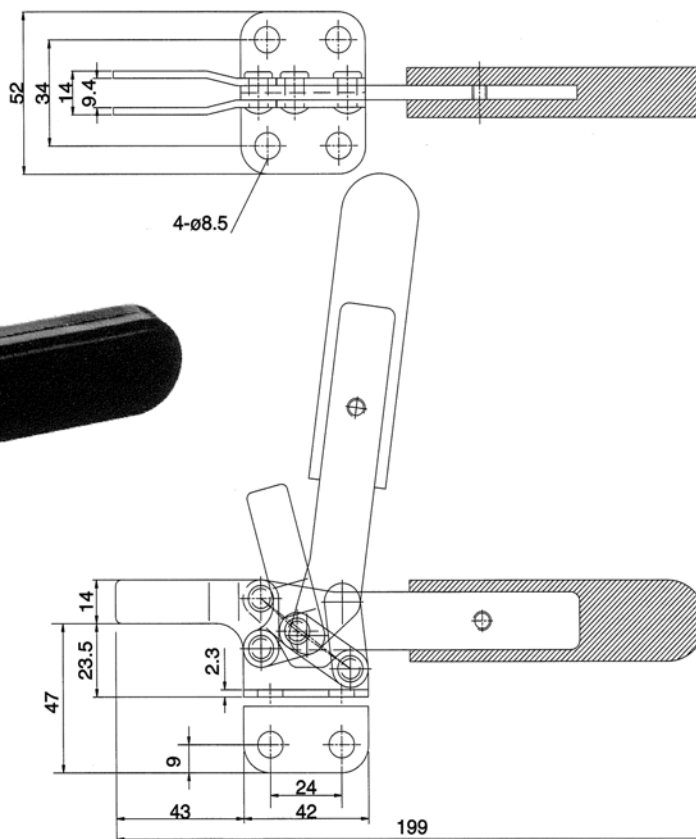
GH-25383



UNT:mm

## GH-21382 AND GH-22382

- ▶ WEIGHT: 190g
- ▶ HOLDING CAPACITY: 250kg
- ▶ SPINDLE SUPPLIED: GH-SA-065010
- ▶ BAR OPENS: 75°
- ▶ HANDLE OPENS: 70°



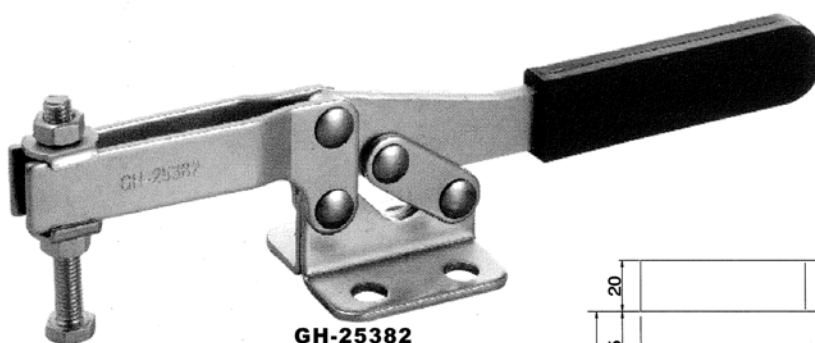
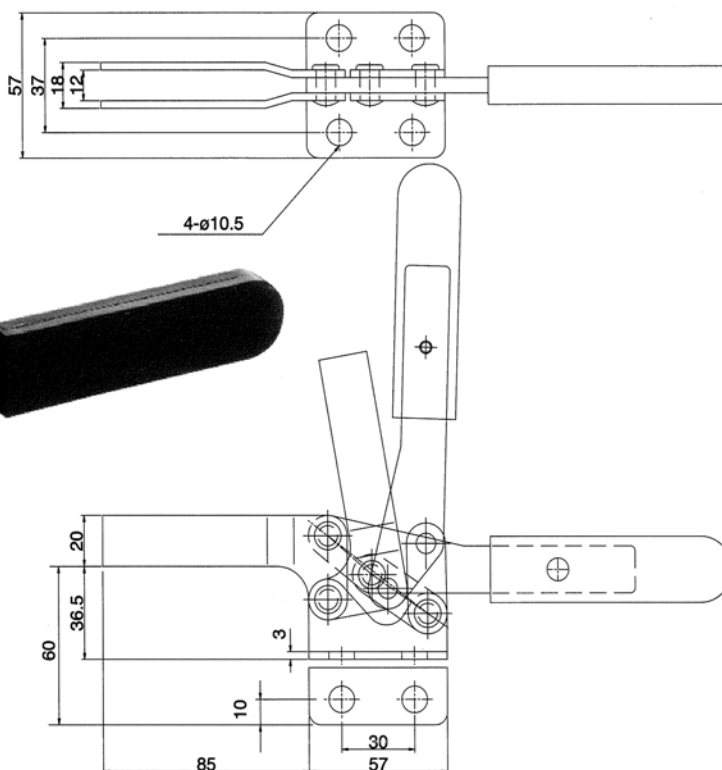
**GH-21382**

MODEL	DESCRIPTION
GH-21382	FLANGED BASE
GH-22382	STRAIGHT BASE
GH-21382-SS	STAINLESS STEEL

UNT:mm

## GH-25382 AND GH-26382

- ▶ WEIGHT: 380g
- ▶ HOLDING CAPACITY: 280kg
- ▶ SPINDLE SUPPLIED: GH-SA-086512
- ▶ BAR OPENS: 80°
- ▶ HANDLE OPENS: 80°



**GH-25382**

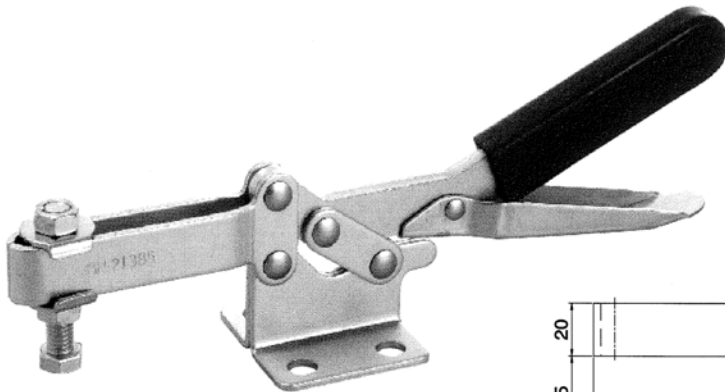
MODEL	DESCRIPTION
GH-25382	FLANGED BASE
GH-26382	STRAIGHT BASE

UNT:mm

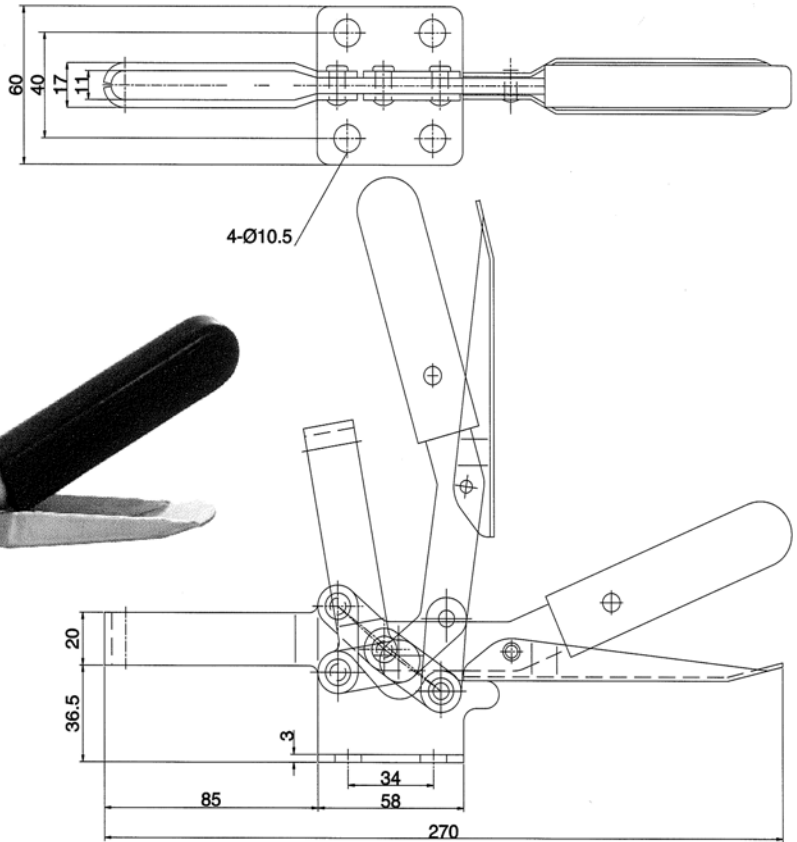


## GH-21385

- ▶ WEIGHT: 490g
- ▶ HOLDING CAPACITY: 300kg
- ▶ SPINDLE SUPPLIED: GH-SA-38200
- ▶ BAR OPENS: 80°
- ▶ HANDLE OPENS: 85°



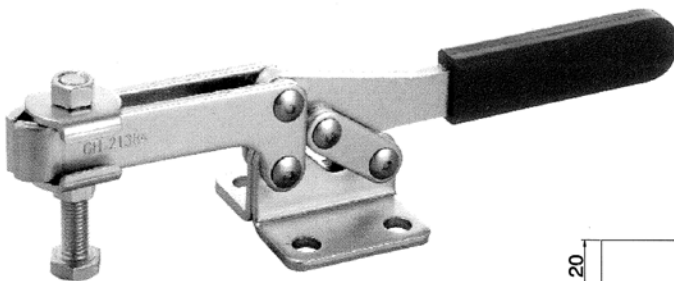
**GH-21385**



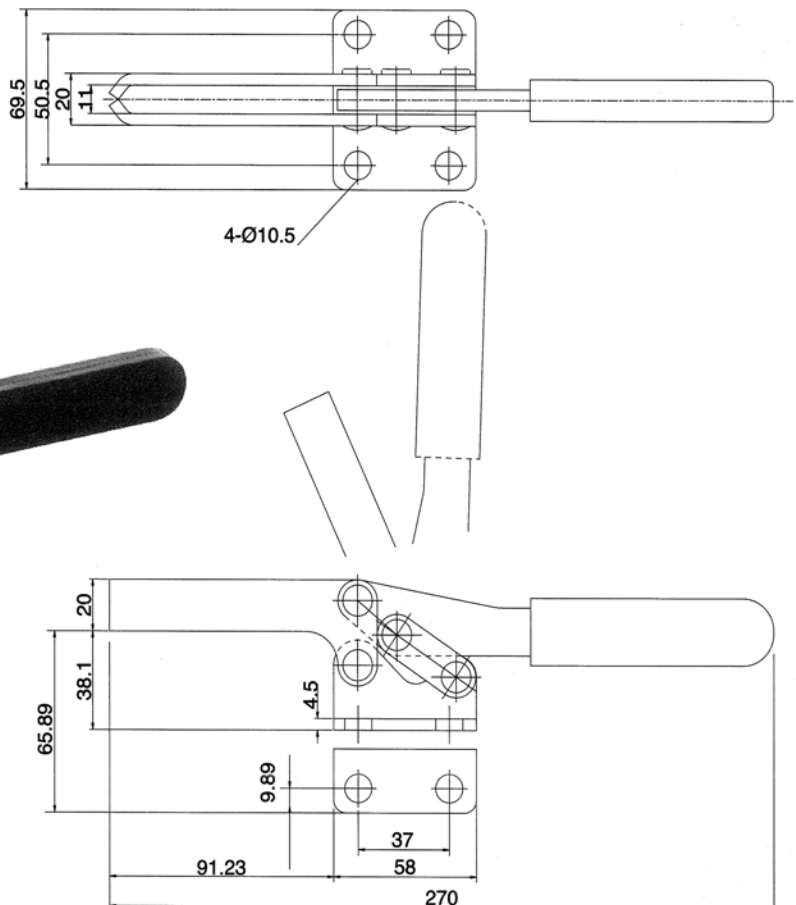
UNT:mm

## GH-21384 AND GH-22384

- ▶ WEIGHT: 635g
- ▶ HOLDING CAPACITY: 500kg
- ▶ SPINDLE SUPPLIED: GH-SA-106515
- ▶ BAR OPENS: 65°
- ▶ HANDLE OPENS: 85°



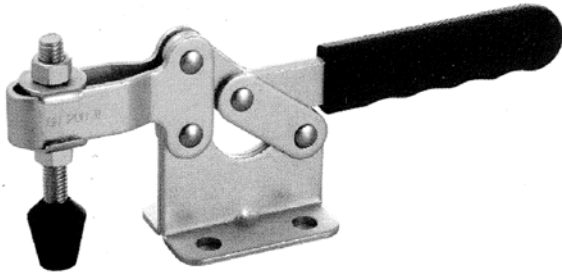
**GH-21384**



MODEL	DESCRIPTION
GH-21384	FLANGED BASE
GH-22384	STRAIGHT BASE

UNT:mm

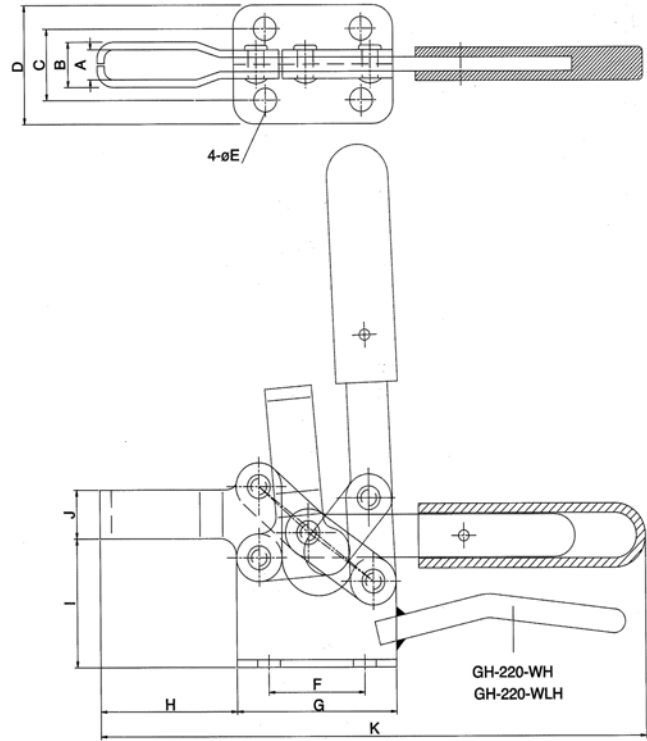
## GH-200-W THRU GH-220-WLH



GH-200-W



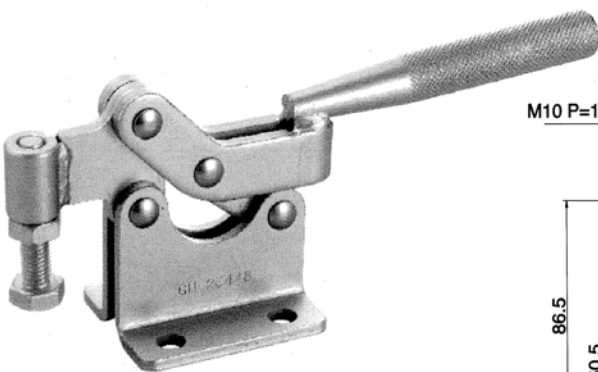
GH-220-WLH



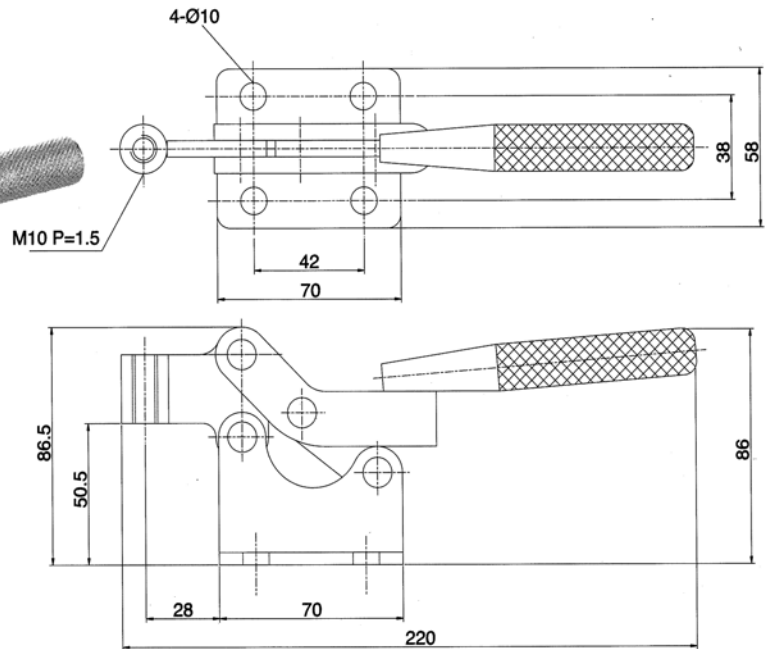
UNT:mm

MODEL	WEIGHT(g)	HOLDING CAPACITY(kg)	SPINDLE SUPPLIED	BAR OPENS	HANDLE OPENS	A	B	C	D	ØE	F	G	H	I	J	K	L
GH-200-W	600	400	GH-FC-38312	84°	85°	12.6	19	30	50	10	42	70	60	54	20.5	240	3.2
GH-200-WL	640					12.6	19	30	50	10	42	70	110	54	20.5	290	3.2
GH-200-WH	700					12.6	19	30	50	10	42	70	60	79	20.5	240	3.2
GH-200-WLH	745		GH-FC-38412			12.6	19	30	50	10	42	70	110	79	20.5	290	3.2
GH-220-WH	790					12.6	19	30	50	10	42	70	60	79	20.5	240	3.2
GH-220-WLH	830					12.6	19	30	50	10	42	70	110	79	20.5	290	3.2

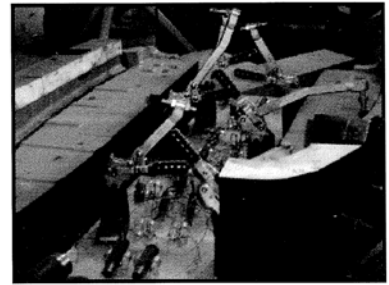
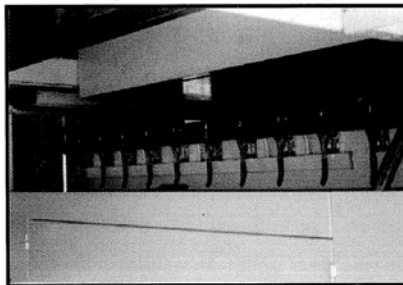
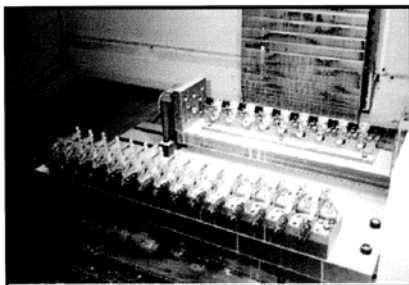
## GH-20448



GH-20448



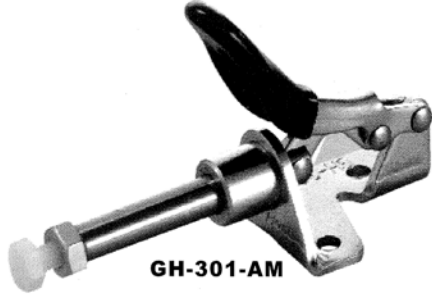
UNT:mm





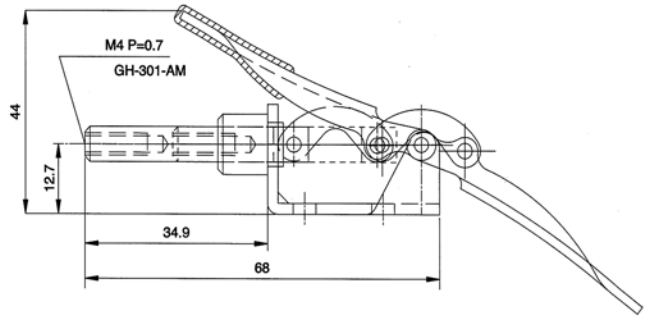
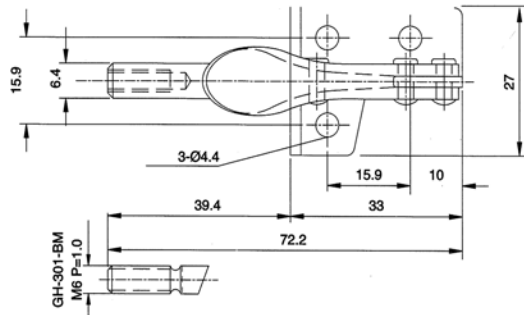
## GH-301-AM AND GH-301-BM

- WEIGHT: 50g
- HOLDING CAPACITY: 45kg
- SPINDLE SUPPLIED: GH-SA-042007 (NYLON)
- HANDLE OPENS: 190°
- PLUNGER STROKE: 15.9mm
- GH-301-AMSS STAINLESS STEEL



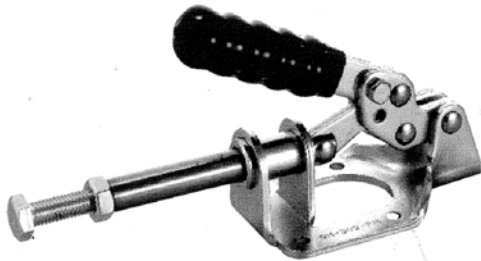
GH-301-AM

UNT:mm



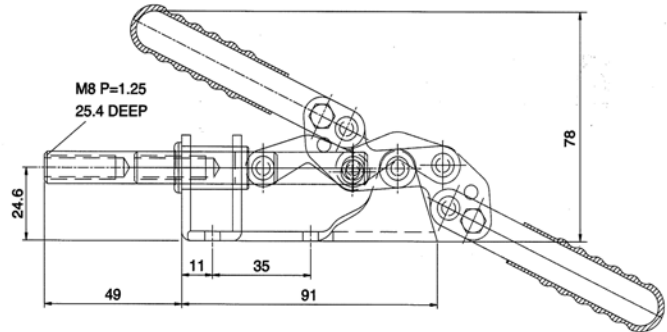
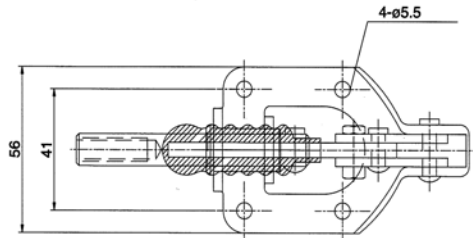
## GH-302-FM AND GH-302-FMSS

- WEIGHT: 300g
- HOLDING CAPACITY: 136kg
- SPINDLE SUPPLIED: GH-SA-085012
- HANDLE OPENS: 180°
- PLUNGER STROKE: 32mm
- GH-302-FMSS STAINLESS STEEL



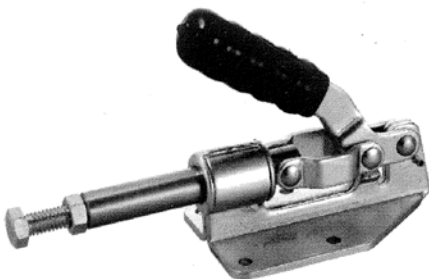
GH-302-FM

UNT:mm



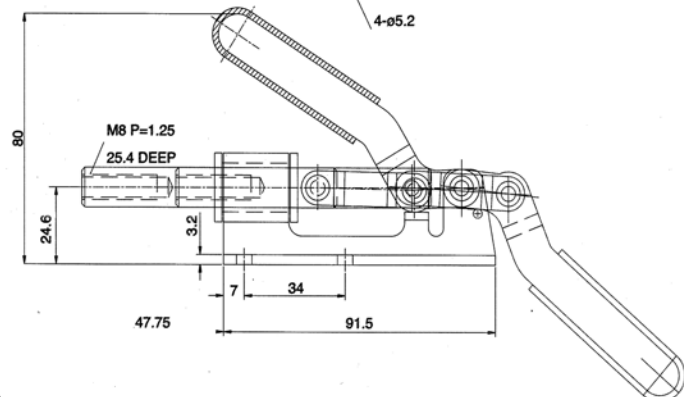
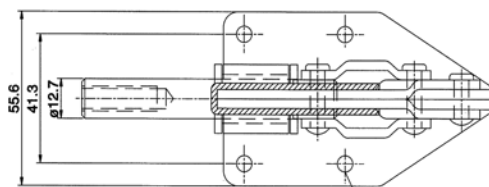
## GH-36092M AND GH-36092MSS

- WEIGHT: 397g
- HOLDING CAPACITY: 180kg
- SPINDLE SUPPLIED: GH-SA-085012
- HANDLE OPENS: 180°
- PLUNGER STROKE: 31.8mm
- GH-302-FMSS STAINLESS STEEL



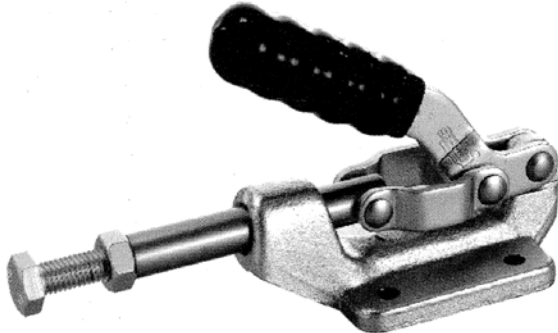
GH-36092M

UNT:mm

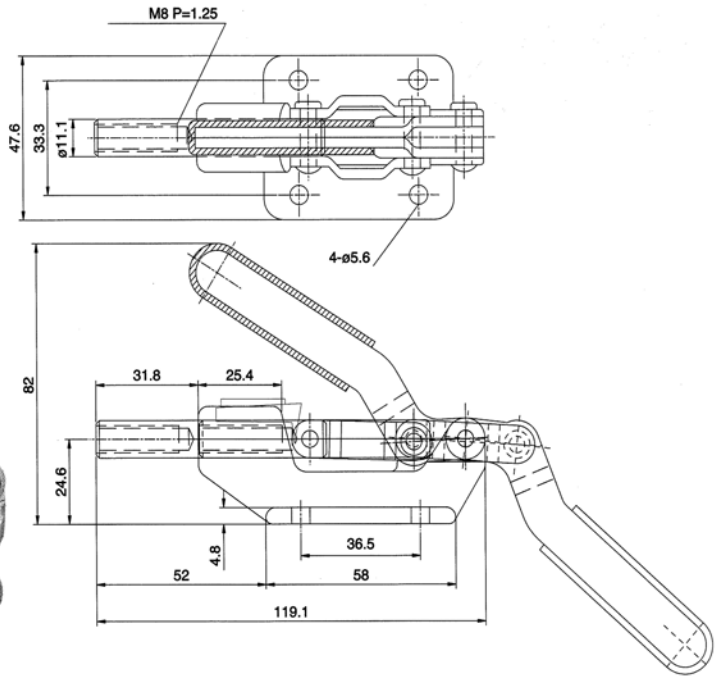


**GH-36003M**

- ▶ Forged alloy steel base
- ▶ WEIGHT:355g
- ▶ HOLDING CAPACITY:272kg
- ▶ SPINDLE SUPPLIED:GH-SA-085012
- ▶ HANDLE OPENS:180°
- ▶ PLUNGER STROKE:31.8mm



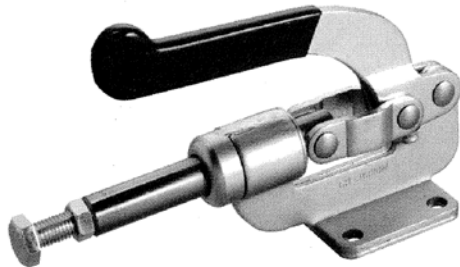
**GH-36003M**



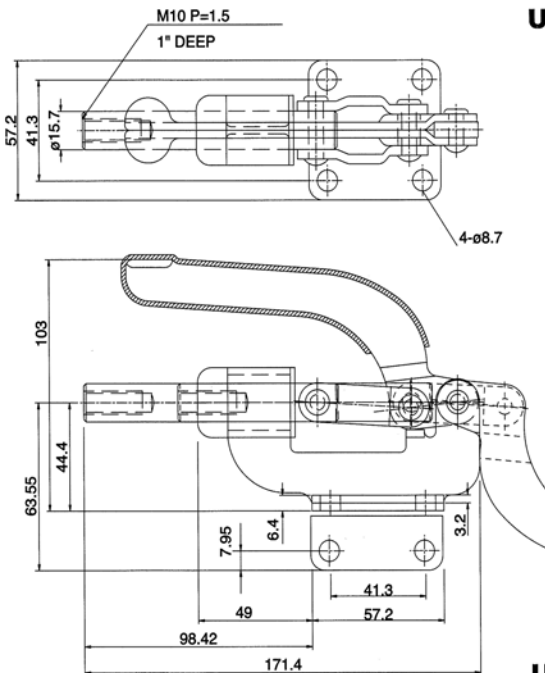
UNT:mm

**GH-36010M GH-36012M**

- ▶ WEIGHT:800g
- ▶ HOLDING CAPACITY:364kg
- ▶ SPINDLE SUPPLIED:GH-SA-105015
- ▶ HANDLE OPENS:180°
- ▶ PLUNGER STROKE:41.3mm



**GH-36010M**

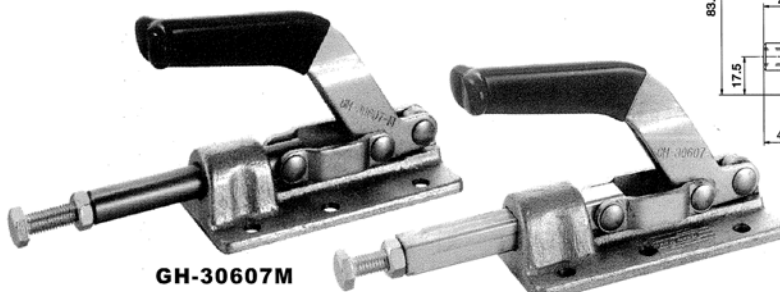


UNT:mm

MODEL	DESCRIPTION
GH-36010M	FLANGED BASE
GH-36012M	STRAIGHT BASE

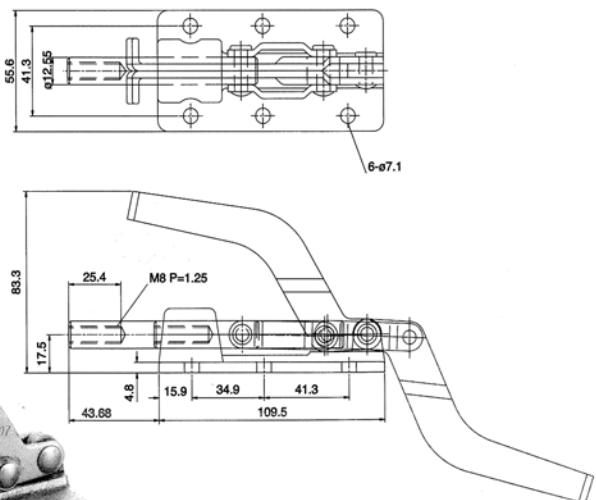
**GH-30607M AND GH-30608M**

- ▶ Forged alloy steel base
- ▶ WEIGHT:700g
- ▶ HOLDING CAPACITY:318kg
- ▶ SPINDLE SUPPLIED:GH-SA-085012
- ▶ HANDLE OPENS:180°
- ▶ PLUNGER STROKE:41.3mm



**GH-30607M**

**GH-30608M**

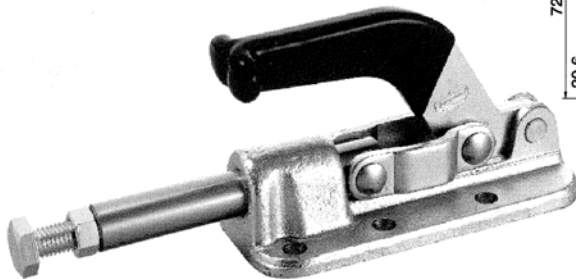


UNT:mm

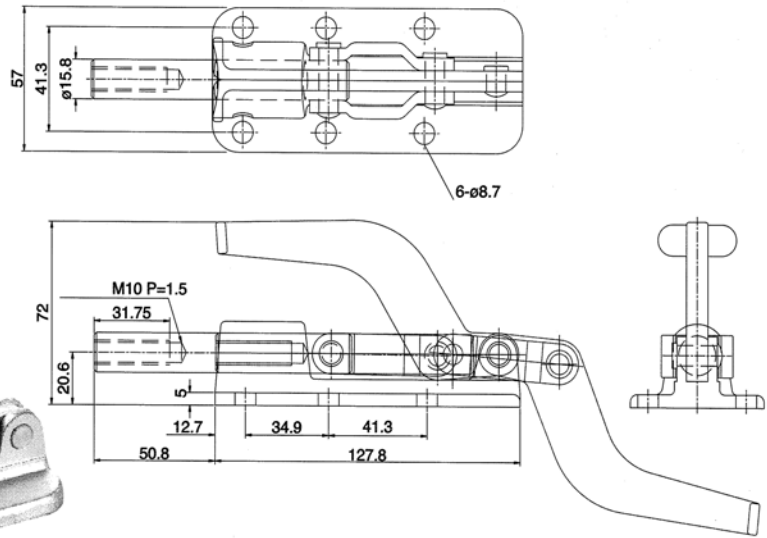


## GH-36330M

- ▶ Forged alloy steel base
- ▶ WEIGHT: 935g
- ▶ HOLDING CAPACITY: 1136kg
- ▶ SPINDLE SUPPLIED: GH-SA-105015
- ▶ HANDLE OPENS: 180°
- ▶ PLUNGER STROKE: 50.8mm



GH-36330M

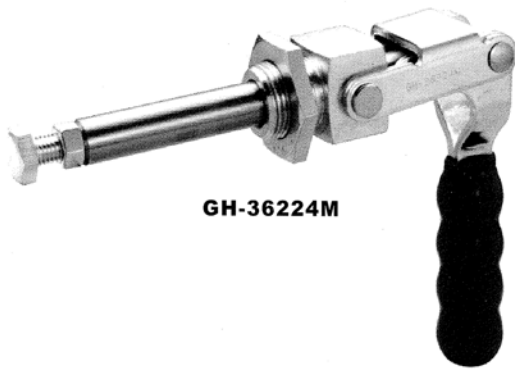


## GH-36202M

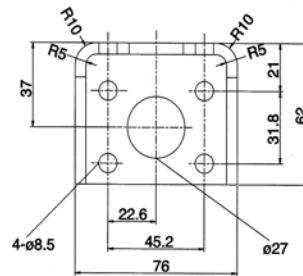
## GH-36204M

## GH-36224M

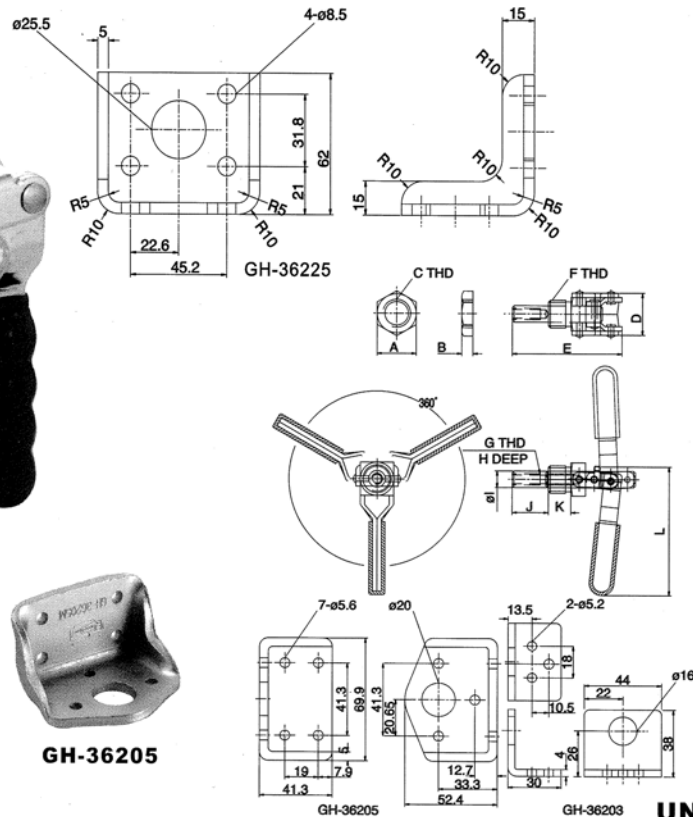
- ▶ Plunger Clamp With Threaded Collar for Mounting Through Panels or Plates



GH-36224M



UNT:mm



GH-36225



GH-36203



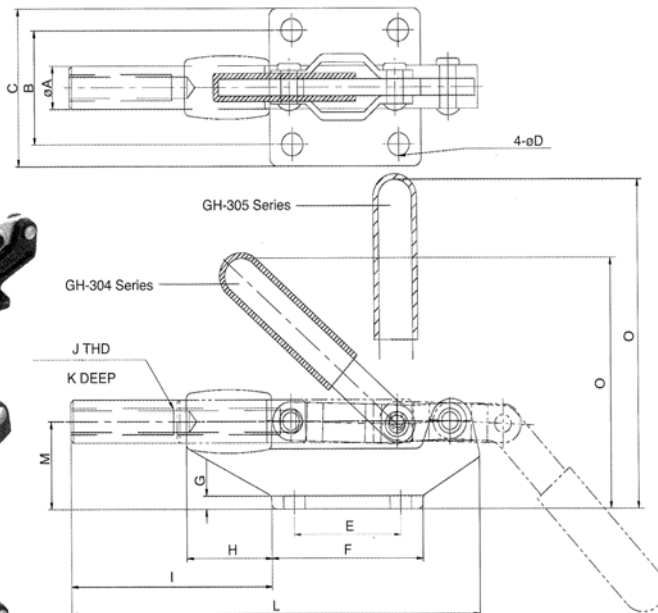
GH-36205

UNT:mm

MODEL	WEIGHT(g)	HOLDING CAPACITY(kg)	SPINDLE SUPPLIED	PLUNGER STROKE	OPTIONAL MOUNTING BRACKET	A	B	C	F	D	E	G	H	ØI	J	K	L
GH-36202M	113	91	GH-SA-064010	19	GH-36203	23	6.4	M16 P=1.5	24	63	M6 P=1	15.8	9.4	20.6	12.7	75	
GH-36204M	270	136	GH-SA-085012	38	GH-36205	30	6.4	M20 P=1.5	28	109	M8 P=1.25	25.4	11	39.7	15.9	98	
GH-36224M	690	318	GH-SA-105015	66.8	GH-36225M	41	6.4	M27 P=2.0	39	169.5	M10 P=1.5	31.75	15.8	69	22	137	
GH-36202-MSS	STAINLESS STEEL																
GH-36204-MSS	STAINLESS STEEL																
GH-36224-MSS	STAINLESS STEEL																

**GH-304-CM AND GH-305-CM**  
**GH-304-EM AND GH-305-EM**  
**GH-304-HM AND GH-305-HM**

- ▶ Ductiles iron base
- ▶ GH-304-HM and GH-305-HM have bushings and removable hardened ground pins.

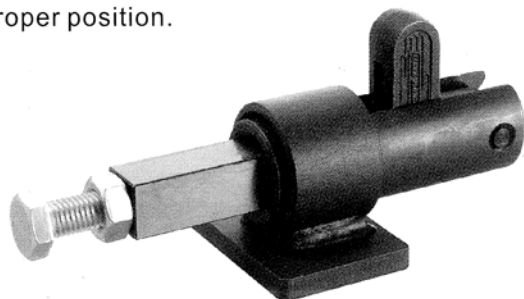


UNT:mm

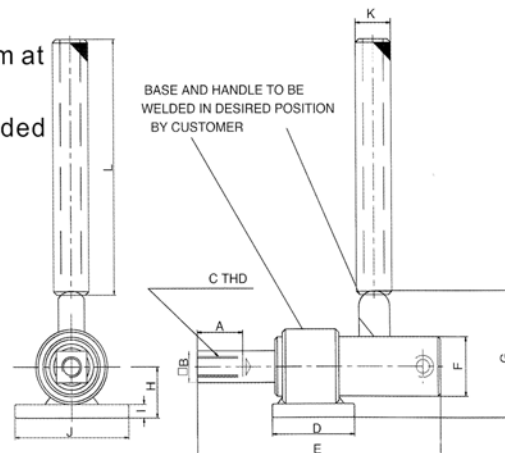
MODEL	WEIGHT(g)	HOLDING CAPACITY(kg)	SPINDLE SUPPLIED	ØA	B	C	ØD	E	F	G	H	I	J	K	L	M	O	PLUNGER STROKE
GH-304-CM	340	227	GH-SA-085012	12.7	41.4	57.2	6.7	35	52.4	4.8	20.6	52.4	M8 P=1.25	30.2	125.4	25.4	74.6	32
GH-305-CM	340	227		12.7	41.4	57.2	6.7	35	52.4	4.8	20.6	52.4	M8 P=1.25	30.2	125.4	25.4	90.5	
GH-304-EM	580	386	GH-SA-105015	16	41.4	57.2	8.3	41.4	58.8	4.8	31.8	81	M10 P=1.5	39.2	158.8	31.8	98.4	42
GH-305-EM	580	386		16	41.4	57.2	8.3	41.4	58.8	4.8	31.8	81	M10 P=1.5	39.2	158.8	31.8	122.8	
GH-304-HM	1480	680	GH-SA-125017	19.2	50.8	71.4	8.3	50.8	73.2	6.4	50.8	120.8	M12 P=1.75	49.2	238.2	44.4	133.4	60
GH-305-HM	1480	680		19.2	50.8	71.4	8.3	50.8	73.2	6.4	50.8	120.8	M12 P=1.75	49.2	238.2	44.4	171.6	
GH-304-EMSS	STAINLESS STEEL																	

**GH-30509M AND GH-30609M**

- ▶ High strength steel construction and precisely broached body for square plunger, allow these clamps to be used as pin locating gauges.
- ▶ Hardened steel pins and bushing fitted at pivot points.
- ▶ Supplied with separate handle and base. Users can weld them at desired position.
- ▶ Clamp can be mounted by drilling holes on the base or be welded at a proper position.



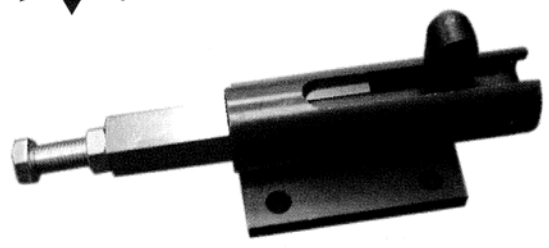
GH-30509M



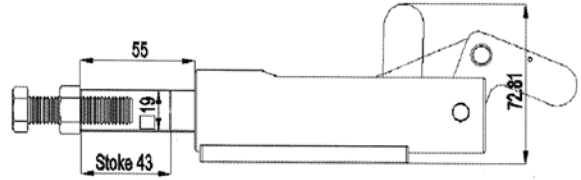
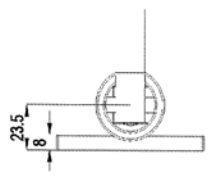
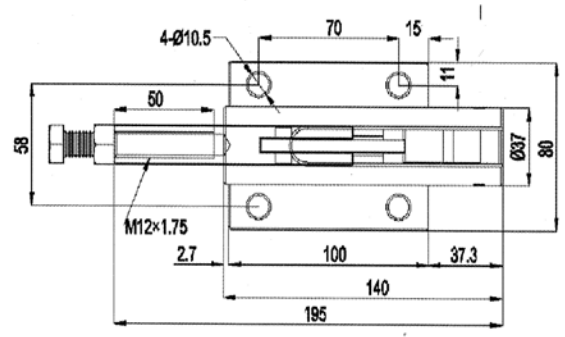
UNT:mm

MODEL	WEIGHT(g)	HOLDING CAPACITY(kg)	SPINDLE SUPPLIED	PLUNGER STROKE	A	ØB	C	D	E	ØF	G	H	I	J	ØK	L
GH-30509M	1330	1136	GH-SA-125017	43.8	25.4	19	M12 P=1.75	50.8	148.8	35	78	30	8	70	21.7	152.4
GH-30609M	2820	2273	GH-SA-165020	59.5	38.1	25	M16 P=2	68.3	198	45	87	40	11.1	90.5	27.2	152

## GH-30510M

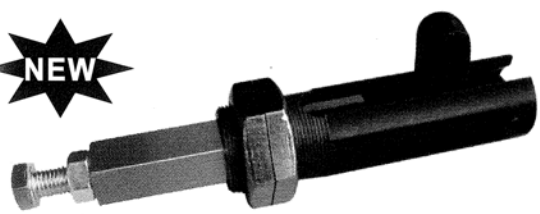


GH-30510M

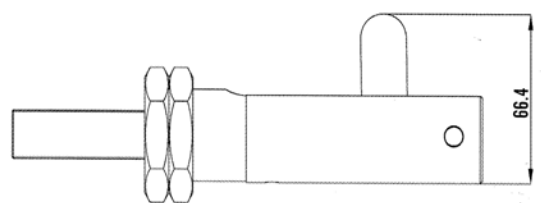
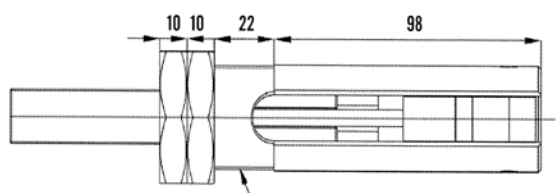
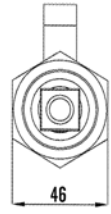


GH-30510M

## GH-30511



GH-30511

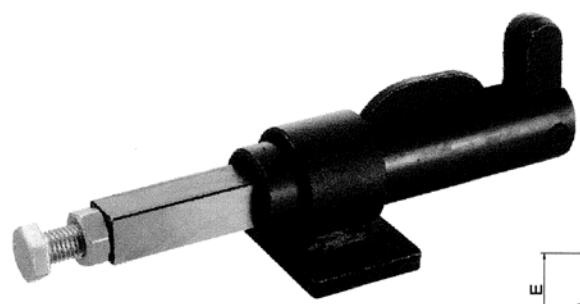


GH-30511M

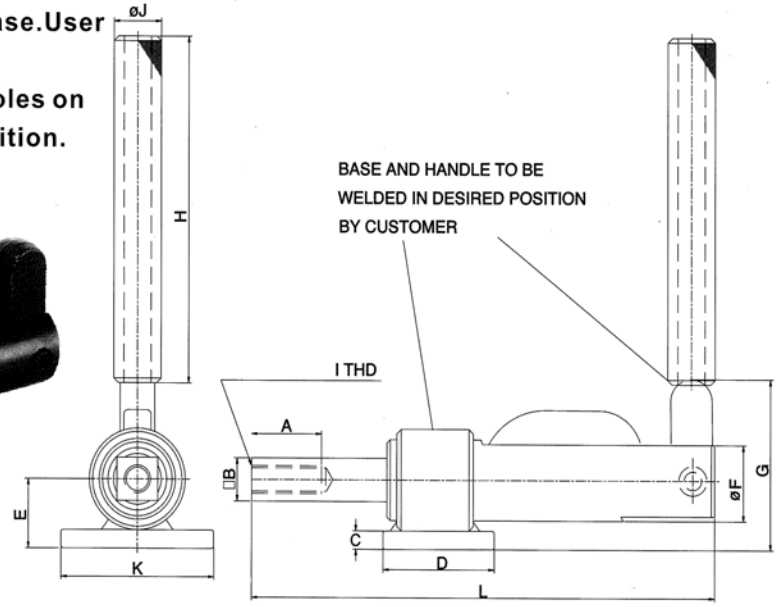
UNT:mm

## GH-30519M AND GH-30619M

- High strength steel construction and precisely Broached body for square plunger, allow these Clamps to be used as pin locating gauges.
- Hardened steel pins and bushing fitted at pivot points.
- Supplied with separate handle and base. User can weld them at desired position.
- Clamps can be mounted by drilling holes on the base or be welded at a proper position.



GH-30519M



UNT:mm

MODEL	WEIGHT(g)	HOLDING CAPACITY(kg)	SPINDLE SUPPLIED	PLUNGER STROKE	A	B	C	D	E	ØF	G	H	I	ØJ	K	L
GH-30519M	1640	1136	GH-SA-125017	59.5	25.4	19	8	50.8	30	35	74	152	M12 P=1.75	21.7	70	212
GH-30619M	3500	2273	GH-SA-185020	77.8	38.1	25	11.1	68.3	40	45	87	152	M16 P=2.0	27.2	90.5	283

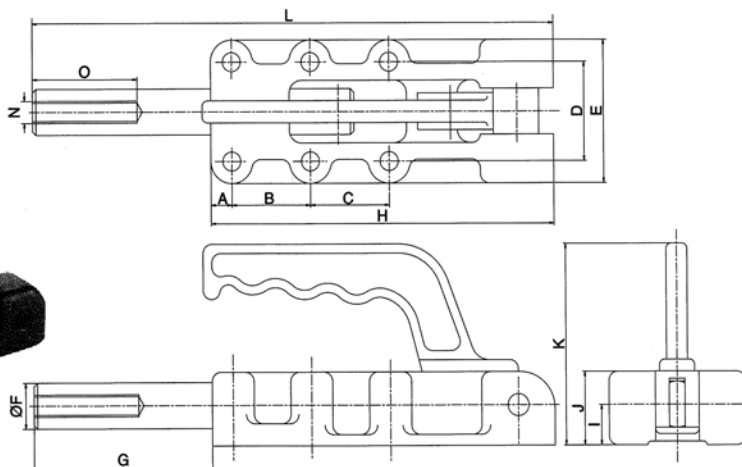
## GH-30600 AND GH-31200

## GH-32500 AND GH-35000

- ▶ Ductile base&handle.
- ▶ Case hardened pivots.



GH-31200



UNT:mm

MODEL	WEIGHT(g)	HOLDING CAPACITY(kg)	SPINDLE SUPPLIED	HANDLE OPENS	PL UNGER STROKE	A	B	C	D	E	ØF	G	H	I	J	K	L	ØM	N	O
GH-30600	510	600	GH-SA-086512	185°	32	25	36.5	-	33.4	46	14	38	89	12	22	67	127	5.5	M8 P=1.25	30
GH-31200	1500	1200	GH-SA-107515	185°	50	8	35	41	41	58	20	55	135	18	32	88	190	8.5	M10 P=1.5	40
GH-32500	3600	2500	GH-SA-127517	185°	75	12	45	45	54	78	25	102	196	22	40	110	298	10.3	M12 P=1.75	60
GH-35000	6500	5000	GH-SA-167520	185°	100	12	70	70	57	84	30	138	254	28	50	123	392	10.3	M16 P=2	60

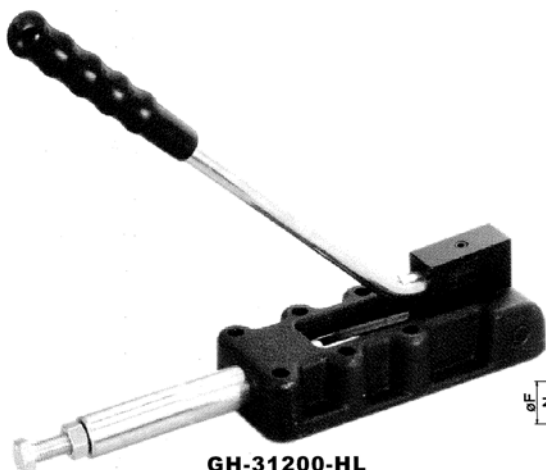
## GH-30600HL

## GH-32500HL

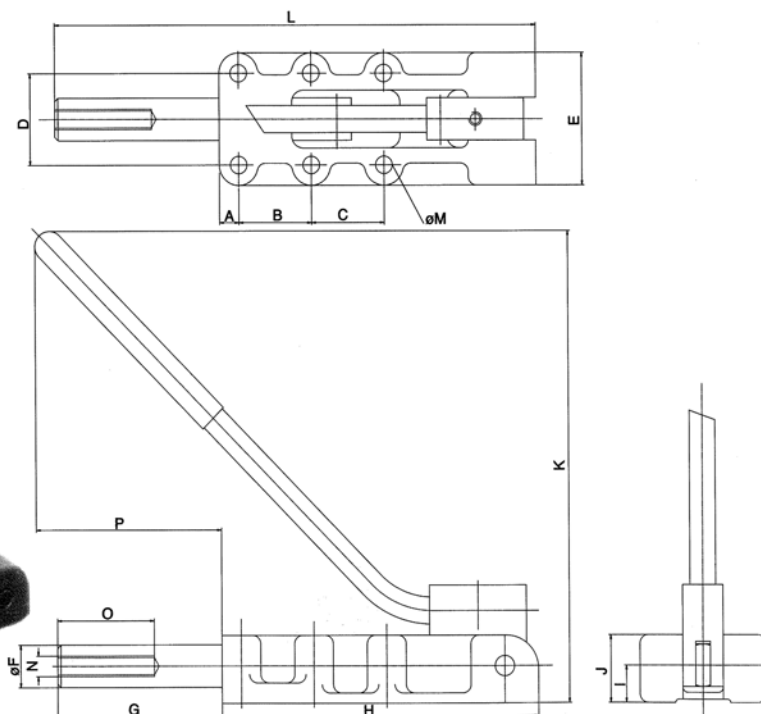
## GH-31200HL

## GH-35000HL

- ▶ Ductile iron base.
- ▶ Optional toggle press frame
- ▶ GH-30600MB available.
- ▶ GH-31200MB available.
- ▶ GH-32500MB available.
- ▶ GH-35000MB available.



GH-31200-HL

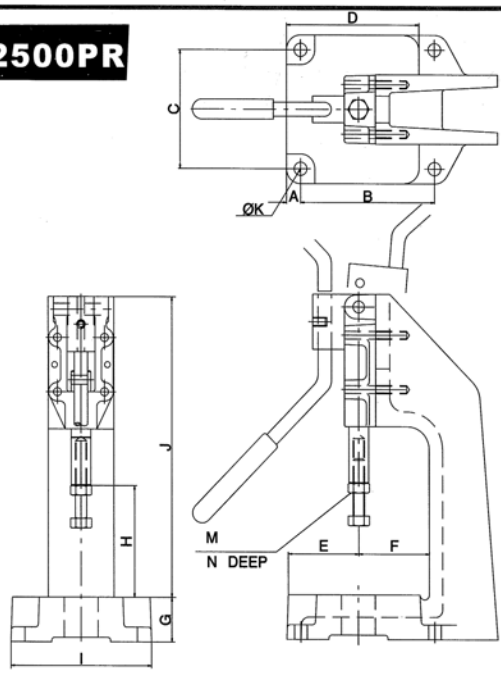
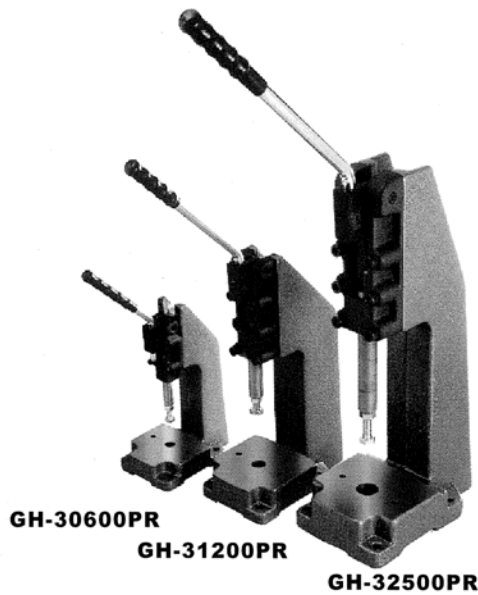


UNT:mm

MODEL	WEIGHT(g)	HOLDING CAPACITY(kg)	SPINDLE SUPPLIED	HANDLE OPENS	PLUNGER STROKE	A	B	C	D	E	ØF	G	H	I	J	K	L	ØM	N	O	P
GH-30600HL	610	600	GH-SA-086512	185°	32	25	36.5	-	33.4	46	14	38	89	12	22	65	127	5.5	M8 P=1.25	30	65
GH-31200HL	1500	1200	GH-SA-107515	185°	50	8	35	41	41	58	20	55	135	18	32	200	135	8.5	M10 P=1.5	40	100
GH-32500HL	4150	2500	GH-SA-127517	185°	75	12	45	45	54	78	25	102	196	22	40	278	298	10.3	M12 P=1.75	60	115
GH-35000HL	7100	5000	GH-SA-167520	185°	100	12	70	70	57	84	30	138	254	28	50	355	392	10.3	M16 P=2	60	172



## GH-30600PR GH-31200PR GH-32500PR

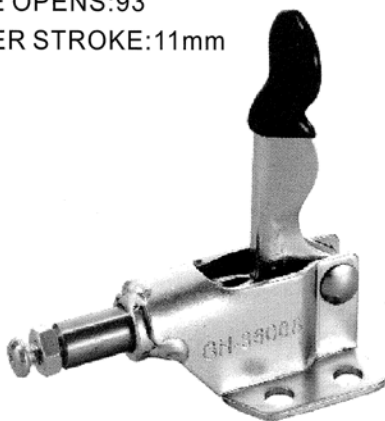


UNT:mm

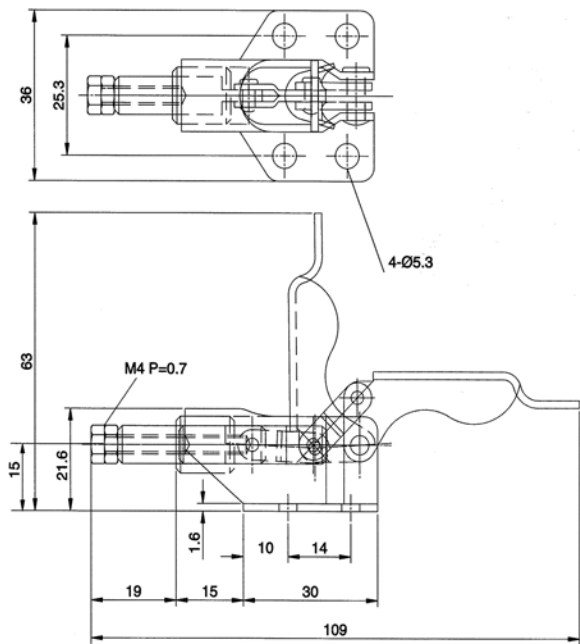
MODEL	WEIGHT(g)	HOLDING CAPACITY(kg)	SPINDLE SUPPLIED	HANDLE OPENS	PLUNGER STROKE	A	B	C	D	E	F	G	H	I	J	ØK	L	M	N
GH-30600PR	3600	600	GH-SA-086512	185°	32	10	95	80	94	50	50	30	75	100	202	9	150	M8 P=1.25	30
GH-31200PR	7350	1200	GH-SA-107515	185°	50	12.5	115	95	113	60	60	40	100	120	290	11.1	192	M10 P=1.5	40
GH-32500PR	17920	2500	GH-SA-127517	185°	75	12.5	145	125	139	67	75	50	120	150	418	11	238	M12 P=1.75	60

## GH-36006

- ▶ WEIGHT: 70g
- ▶ HOLDING CAPACITY: 50kg
- ▶ SPINDLE SUPPLIED: GH-SA-041507
- ▶ HANDLE OPENS: 93°
- ▶ PLUNGER STROKE: 11mm



GH-36006



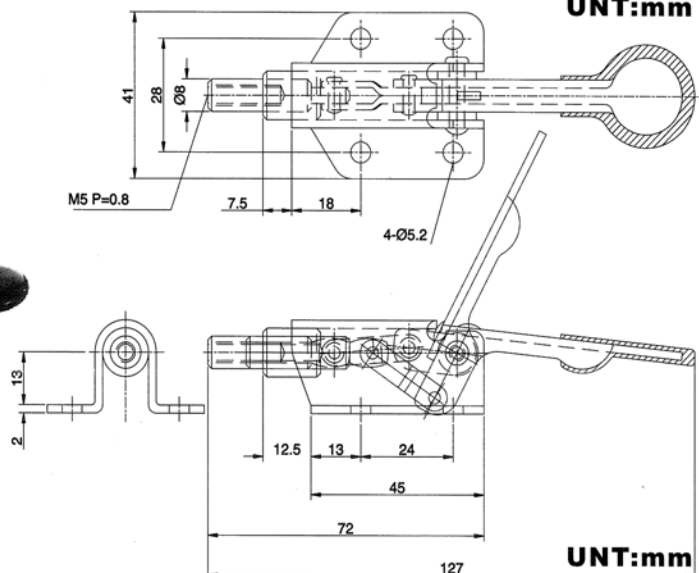
UNT:mm

## GH-36070

- ▶ WEIGHT: 100g
- ▶ HOLDING CAPACITY: 50kg
- ▶ SPINDLE SUPPLIED: GH-SA-051508
- ▶ HANDLE OPENS: 66°
- ▶ PLUNGER STROKE: 10mm



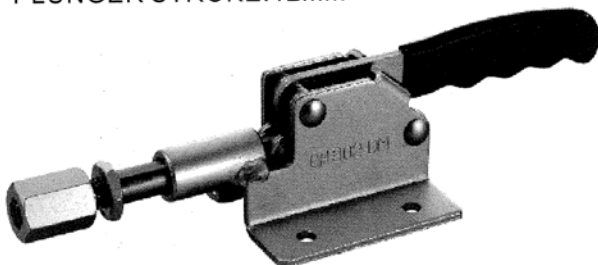
GH-36070



UNT:mm

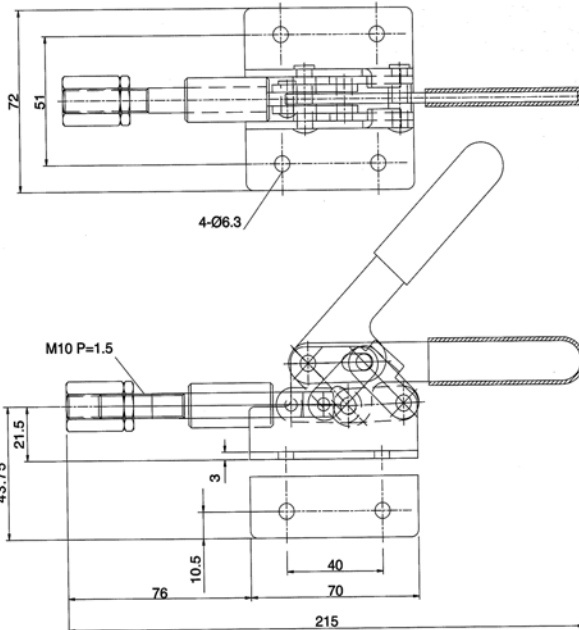
## GH-302-DM AND GH-30282M

- ▶ Plunger Locks in Extended Position Only.
- ▶ WEIGHT: 454g
- ▶ HOLDING CAPACITY: 160kg
- ▶ HANDLE OPENS: 45°
- ▶ PLUNGER STROKE: 12mm



**GH-302-DM**

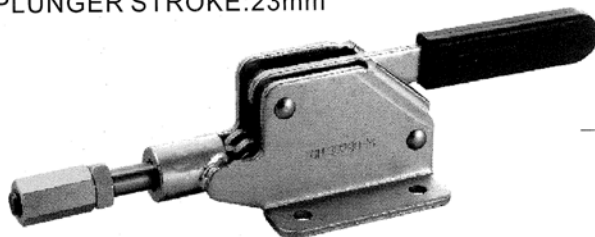
MODEL	DESCRIPTION
GH-302-DM	FLANGED BASE
GH-30282M	STRAIGHT BASE



UNT:mm

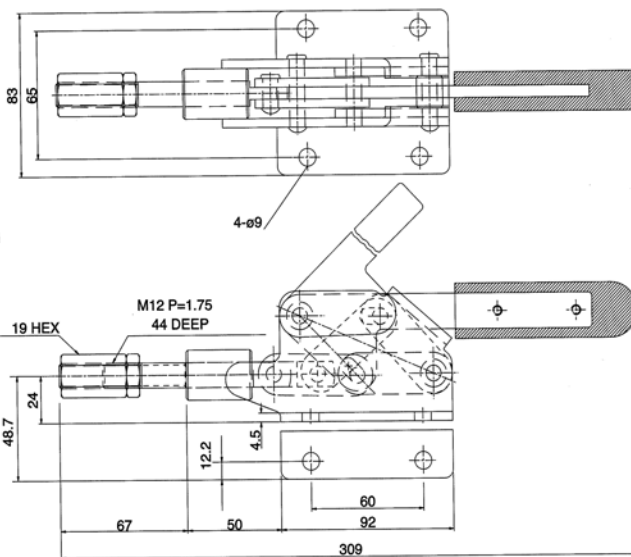
## GH-30290M AND GH-30292M

- ▶ Plunger Locks in Extended Position Only.
- ▶ WEIGHT: 1270g
- ▶ HOLDING CAPACITY: 295kg
- ▶ HANDLE OPENS: 45°
- ▶ PLUNGER STROKE: 23mm



**GH-30290M**

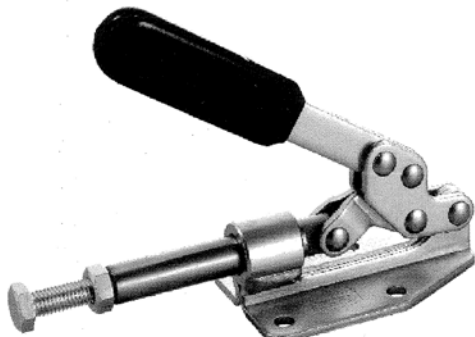
MODEL	DESCRIPTION
GH-30290M	FLANGED BASE
GH-30292M	STRAIGHT BASE



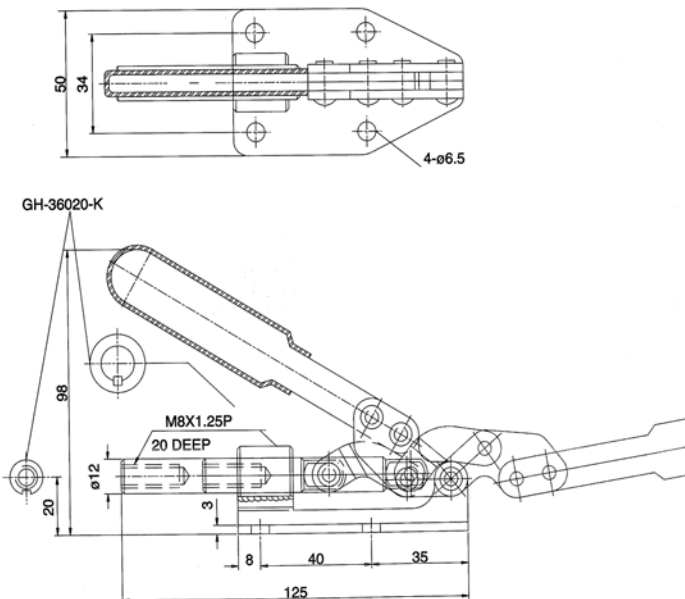
UNT:mm

## GH-36020M AND GH-36020-K

- ▶ GH-36020-K has a key way to keep the plunger from rotating.
- ▶ WEIGHT: 345g
- ▶ HOLDING CAPACITY: 180kg
- ▶ SPINDLE SUPPLIED: GH-SA-085012
- ▶ HANDLE OPENS: 144.5°
- ▶ PLUNGER STROKE: 30mm



**GH-36020**



UNT:mm

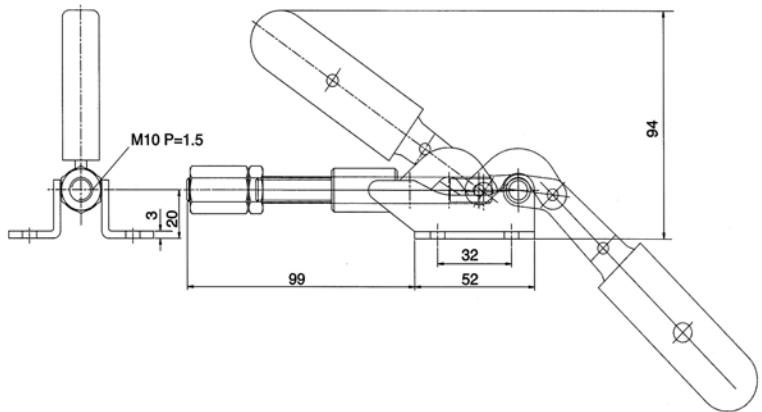
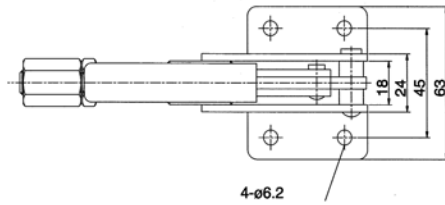


## GH-31501

- ▶ WEIGHT: 335g
- ▶ HOLDING CAPACITY: 200kg
- ▶ HANDLE OPENS: 190°
- ▶ PLUNGER STROKE: 30mm



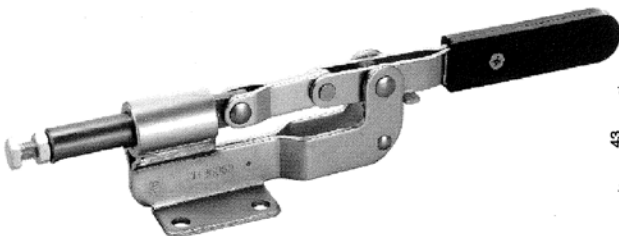
GH-31501



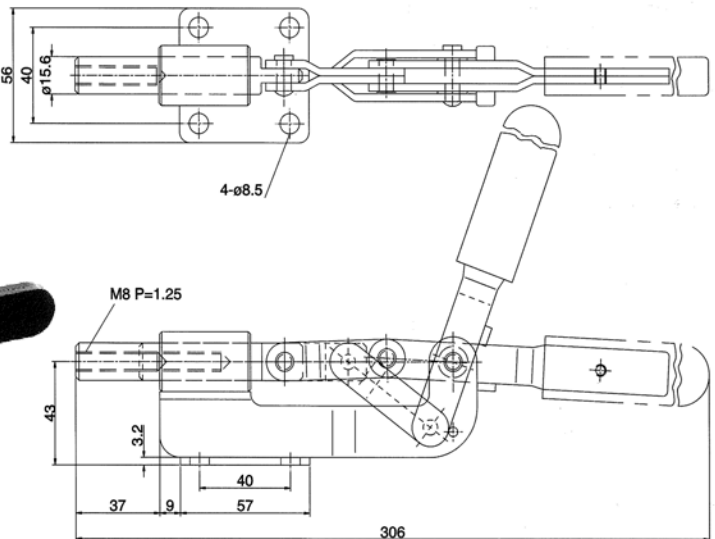
UNT:mm

## GH-36060

- ▶ Plunger Locks in Extended Position Only.
- ▶ WEIGHT: 615g
- ▶ HOLDING CAPACITY: 300kg
- ▶ SPINDLE SUPPLIED: GH-SA-083012
- ▶ HANDLE OPENS: 76°
- ▶ PLUNGER STROKE: 28mm



GH-36060



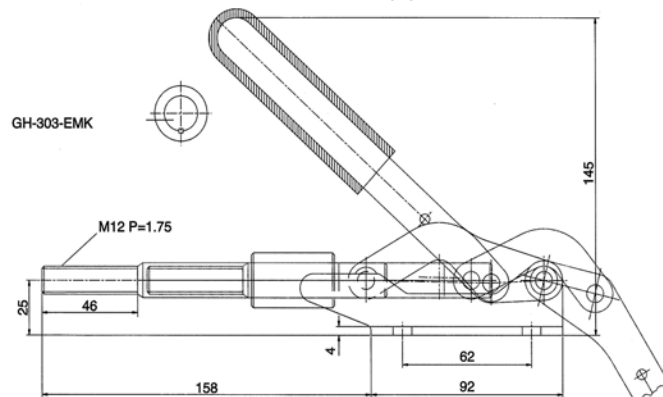
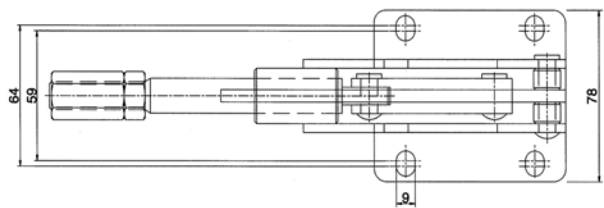
UNT:mm

## GH-303-EM AND GH-303-EMK

- ▶ GH-303-EMK has a key way to keep the plunger from rotating.
- ▶ WEIGHT: 965g
- ▶ HOLDING CAPACITY: 454kg
- ▶ HANDLE OPENS: 190°
- ▶ PLUNGER STROKE: 50mm



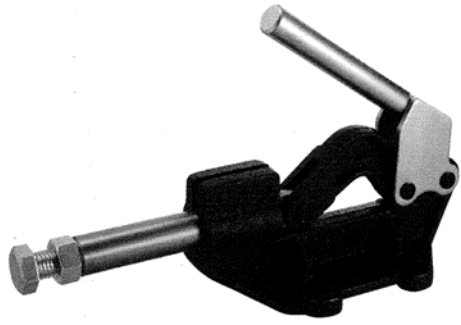
GH-303-EM



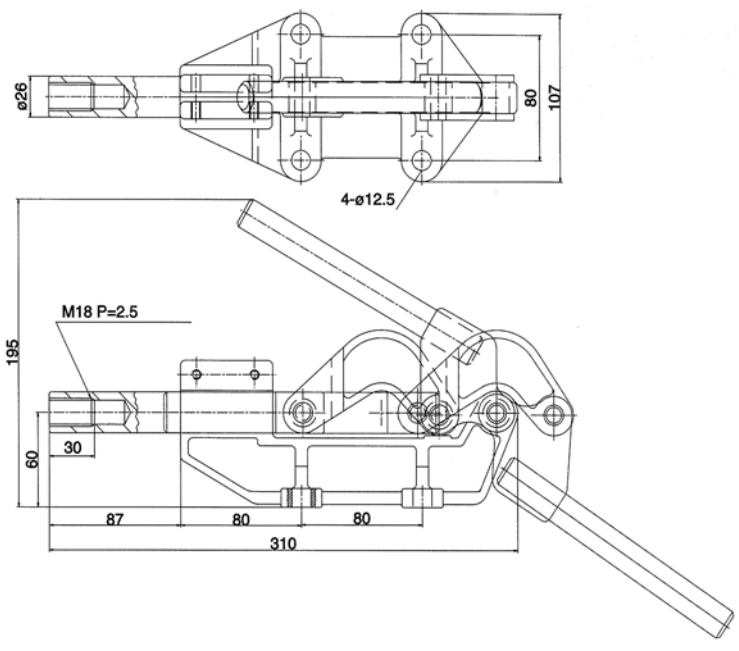
UNT:mm

**GH-30513**

- ▶ Ductile iron base.
- ▶ WEIGHT:4060g
- ▶ HOLDING CAPACITY:1600kg
- ▶ SPINDLE SUPPLIED:GH-SA-185025
- ▶ HANDLE OPENS:180°
- ▶ PLUNGER STROKE:76mm

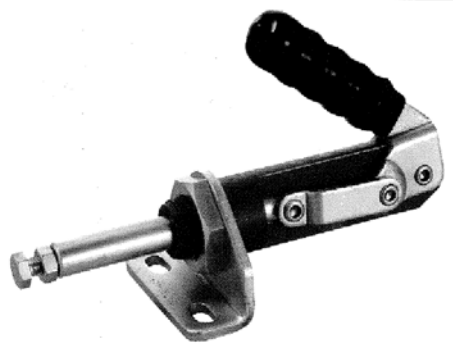


GH-30513

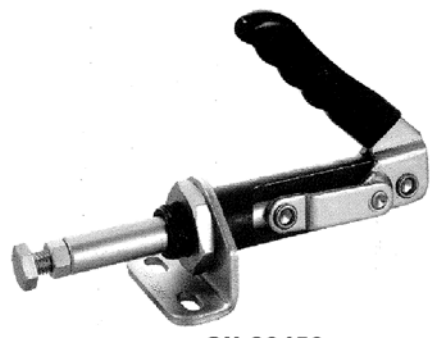


UNT:mm

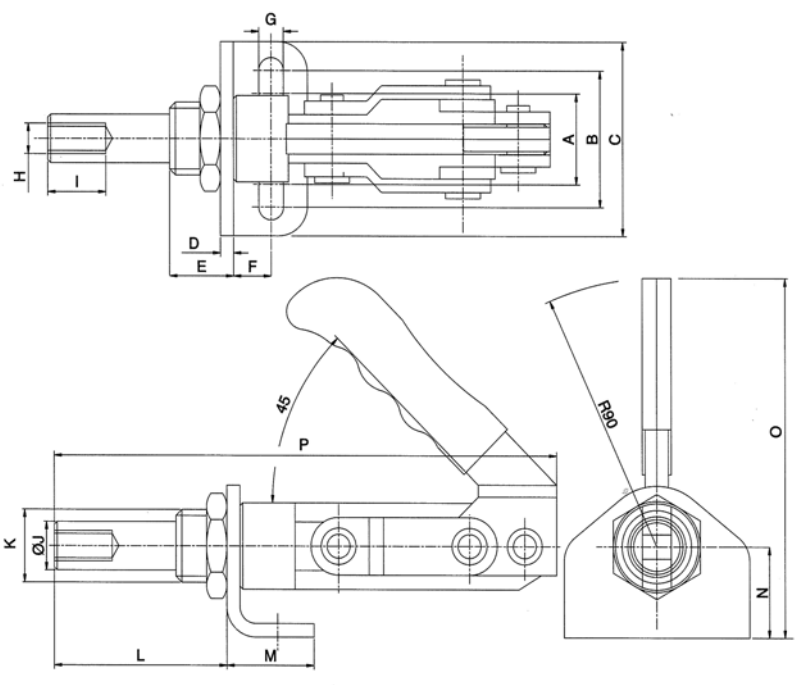
**GH-30250 AND GH-30450**



GH-30250

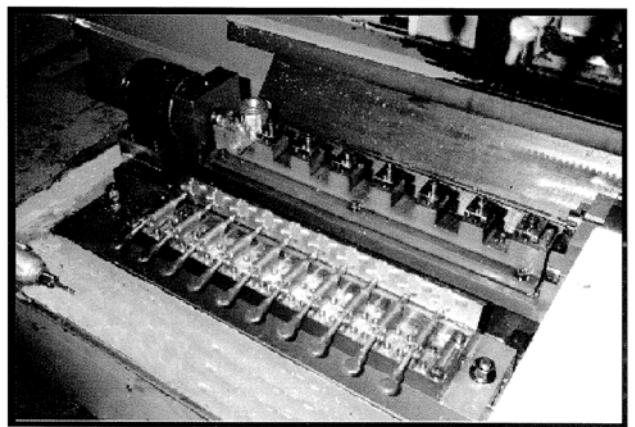
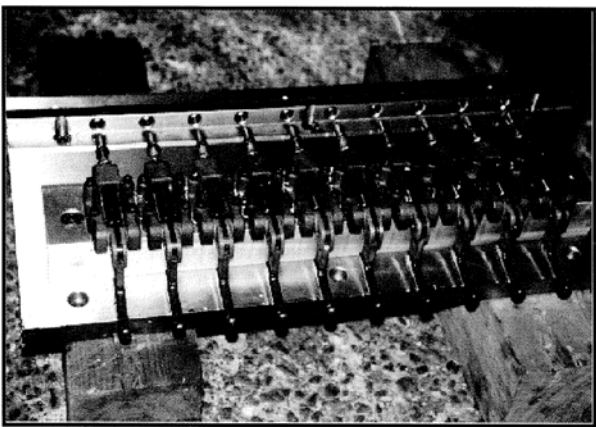


GH-30450



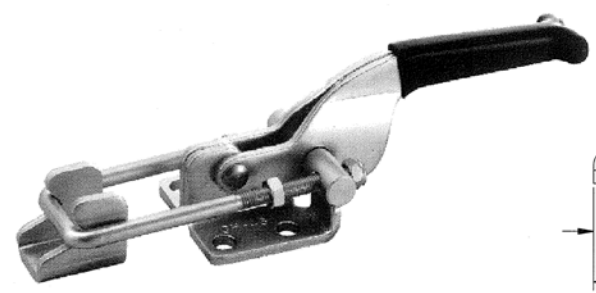
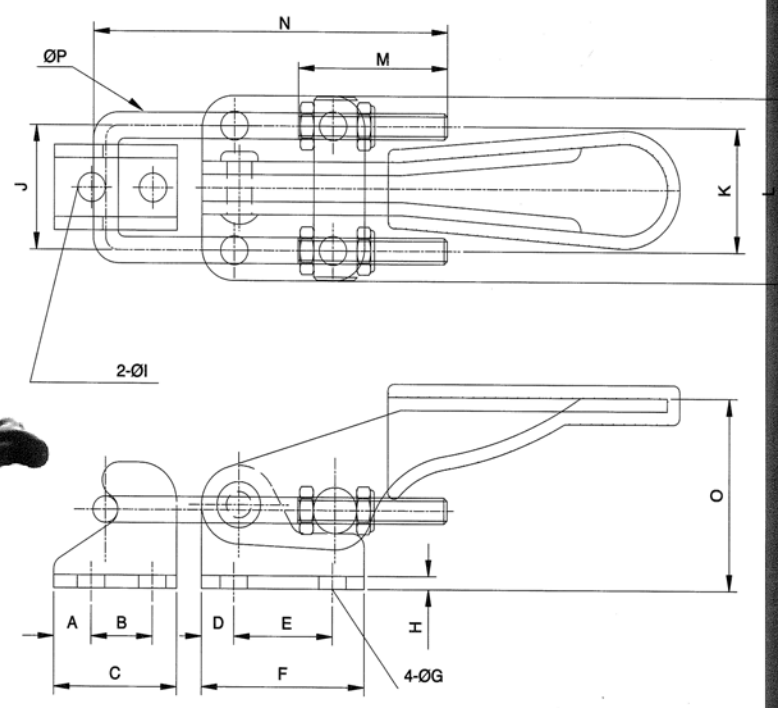
UNT:mm

MODEL	WEIGHT(g)	HOLDING CAPACITY(kg)	SPINDLE SUPPLIED	HANDLE OPENS	PLUNGER STROKE	A	B	C	D	E	F	G	H	I	ØJ	K	L	M	N	O	P
GH-30250	385	250	GH-SA-062010	190°	32	30	42	57	4	17	10	6.5	M6 P=1.0	12	11	M20 P=1.5	51	23	25	85	136
GH-30450	774	450	GH-SA-103015	185°	38	30	45	64	4.5	22	13	8.5	M10 P=1.5	20	16	M24 P=1.5	59.5	30	30	120	173





- GH-40323**
- GH-431**
- GH-40341**



**GH-431**

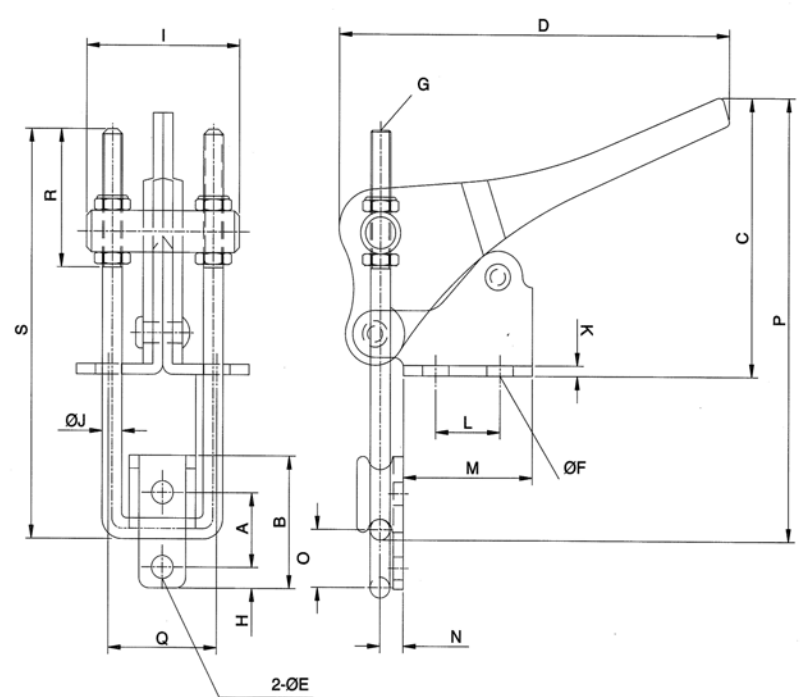
MODEL	WEIGHT(g)	HOLDING CAPACITY(kg)	A	B	C	D	E	F	ØG	H	ØI	J	K	L	M	N	O	P
GH-40323	70	163	6	9.9	19.8	5.2	15.9	26.2	4.4	2	4.4	19	19	28.2	24	57	29.3	4
GH-431	225	318	6.8	11.5	25.4	6.4	19	39.7	6.7	3.2	6.3	31.8	26.6	44.4	38	73	41.3	5
GH-40341	680	900	9.5	19.1	38.1	9.5	41.3	60.3	8.6	4	8.5	38.1	44.5	54	52	114.5	74	8
GH-40323-SS	STAINLESS STEEL																	
GH-431M-SS																		
GH-40341-SS																		

UNT:mm

## GH-40324 THRU GH-40344



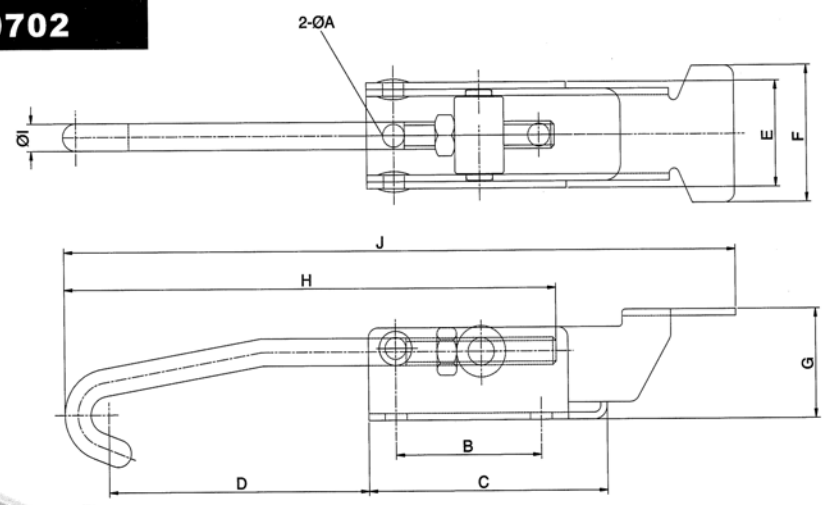
**GH-40324**



MODEL	WEIGHT(g)	HOLDING CAPACITY(kg)	A	B	C	D	ØE	ØF	G	H	I	ØJ	K	L	M	N	O	P	Q	R	S
GH-40324	113	225	14.3	25.4	53.3	79	4.4	5.3	M4 P=0.7	4	31	4	2	13	26	4.7	11.1	70	22	26.5	78.5
GH-40334	250	450	20.6	38.1	61.9	120	7.1	7.1	M16 P=1	7.1	41.3	6.35	3	19.1	33.3	8.7	17.5	102	25.4	40.5	114
GH-40344	700	900	27	54	84.1	130.2	8.7	5.3	M8 P=1.25	9.5	60.3	7.9	4	31.8	47.6	12.7	28.6	150	36.5	58	154
GH-40324-SS	STAINLESS STEEL																				
GH-40334-SS																					
GH-40344-SS																					

UNT:mm

## GH-40402 AND GH-40702

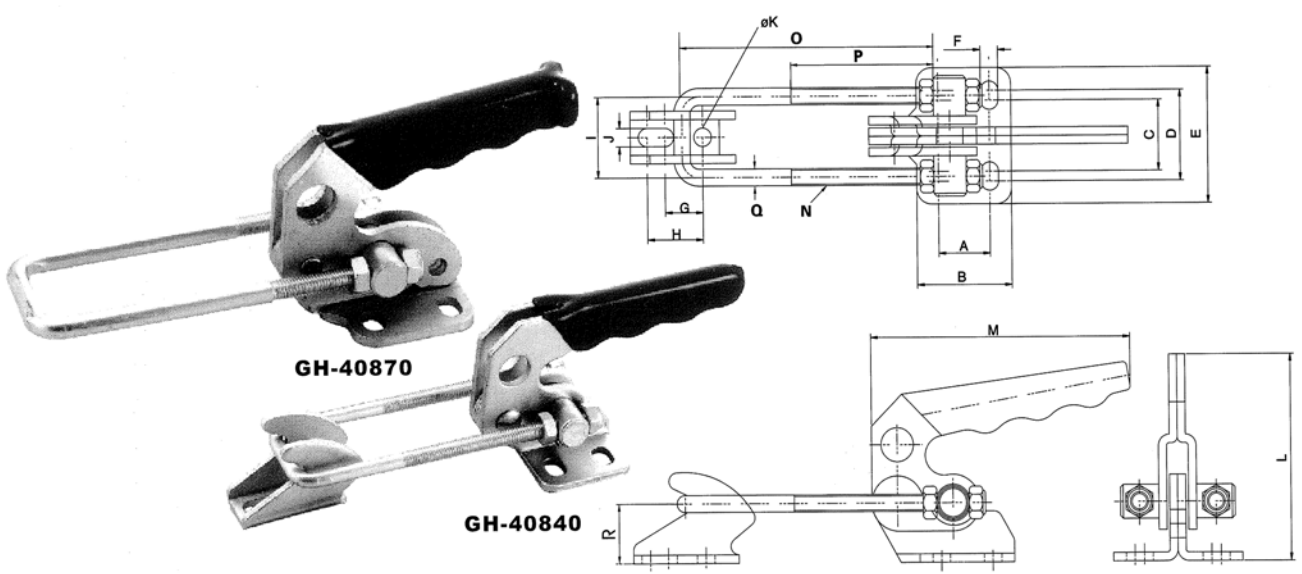


UNT:mm

MODEL	WEIGHT(g)	ØA	B	C	D	E	F	G	H	Ø	J
GH-40402	130	6.5	36	85	86.83	20	28	23	140	6	183.7
GH-40702	245	6.7	44.5	73.2	79.96	31	40	32	151.06	8	206.5
GH-40402-SS	STAINLESS STEEL										

## GH-40820 AND GH-40840 AND GH-40870

- Two function...
- Latch for vertical or horizontal are available

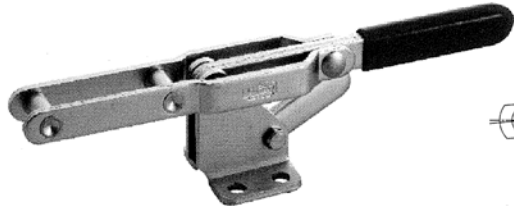


UNT:mm

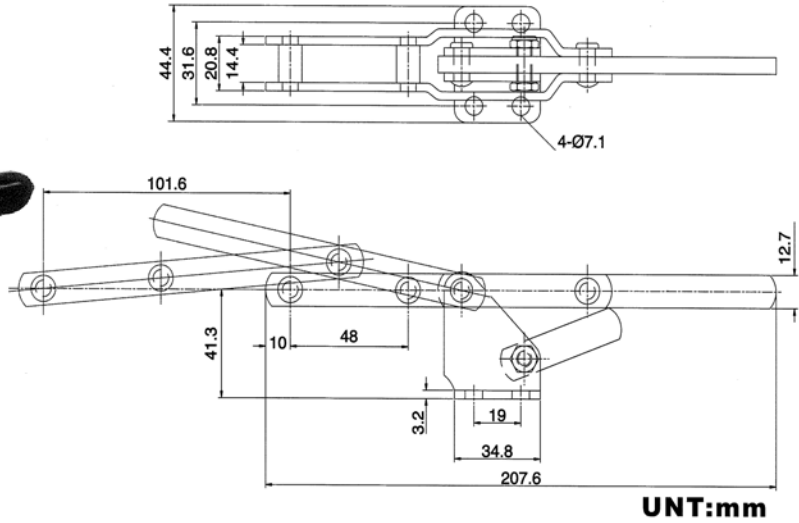
MODEL	WEIGHT(g)	HOLDING CAPACITY(kg)	A	B	C	D	E	F	G	H	I	J	K	L	M	N	O	P	Q	R
GH-40820	120	200	13	26	19	24	36	5.2	11	16	21	23	5.2	46	65	M4x0.7	92	55	4	12.9
GH-40840	306	400	19	35	25	32	48	6.5	14	18.5	28.5	39	6.5	73	97	M6x1.0	113.5	70	6	21
GH-40870	700	700	32	50.5	36	45	63.5	8.5	19	28	44.5	40	8.5	88	117	M8x1.25	150	85	8	24.4

## GH-43101

- ▶ WEIGHT: 310g
- ▶ HOLDING CAPACITY: 170kg



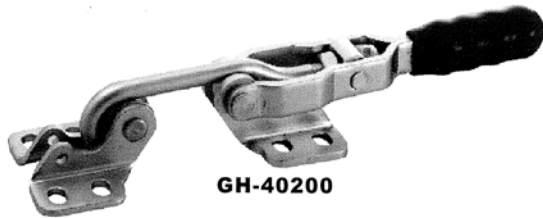
GH-43101



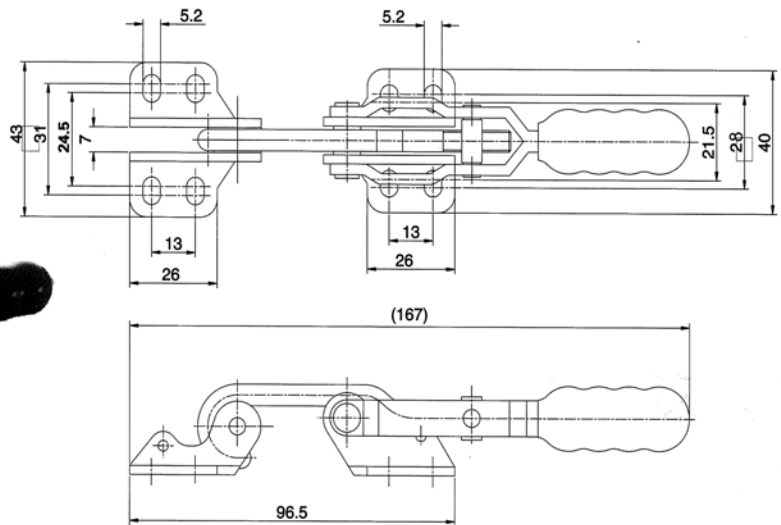
UNT:mm

## GH-40200

- ▶ WEIGHT: 155g
- ▶ HOLDING CAPACITY: 200kg



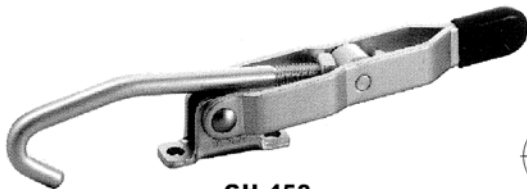
GH-40200



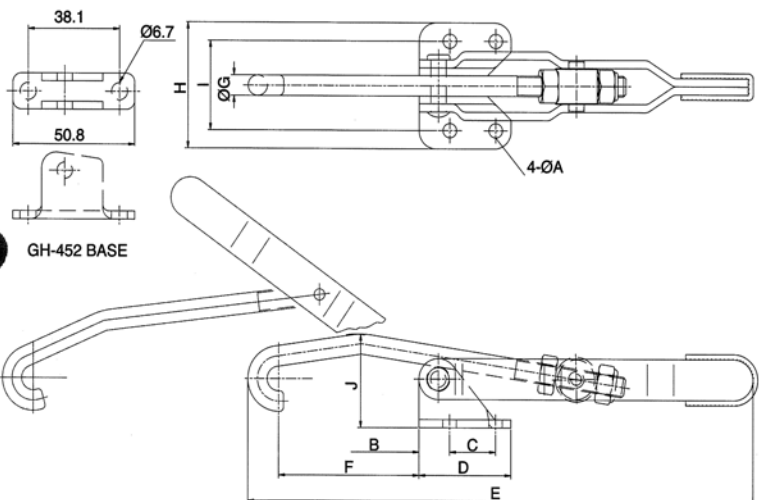
UNT:mm

## GH-451 GH-452

## GH-40371 GH-43810



GH-452



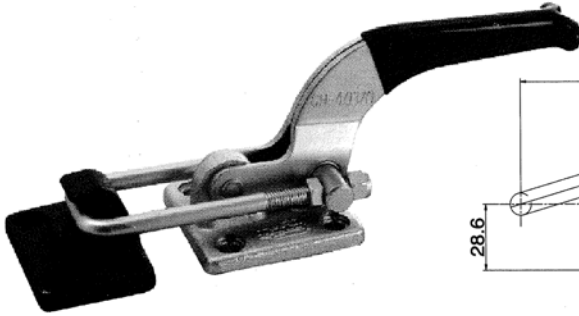
GH-452 BASE

UNT:mm

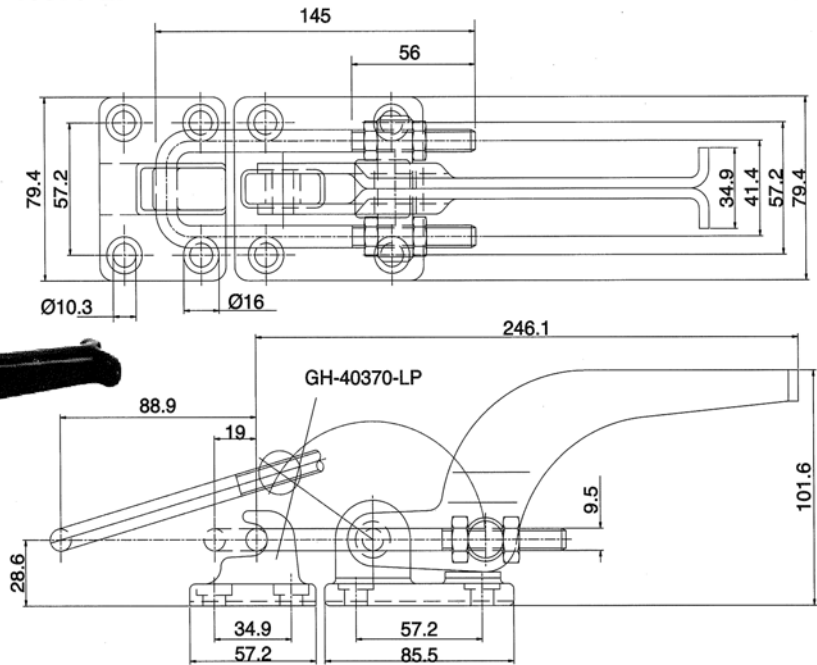
MODEL	WEIGHT(g)	HOLDING CAPACITY(kg)	DESCRIPTION	ØA	B	C	D	E	F	ØG	H	I	J
GH-451	270	170	FLANGED BASE	5.6	12.7	19	38.1	211	58.4	8	49.2	34.9	36.5
GH-452	255	170	NARROW BASE	6.7	-	38.1	50.8	211	44.75	8	-	-	36.5
GH-40371	624	340	FLANGED BASE	8.7	7.9	31.8	47.6	285	79.4	9.5	65.7	49.2	57.3
GH-43810	1130	450	FLANGED BASE	10.3	12.7	28.6	54	336	76.2	12.7	85.7	60.3	68
GH-451-SS	STAINLESS STEEL												
GH-452-SS	STAINLESS STEEL												

## GH-40370 AND GH-40370-LP

- ▶ Forged alloy steel base.
- ▶ Optional latch plate available:GH-40370-LP
- ▶ WEIGHT:1260g
- ▶ HOLDING CAPACITY:1818kg
- ▶ GH-40370-LP Ductile iron
- ▶ GH-40370-U Bolt 3/8



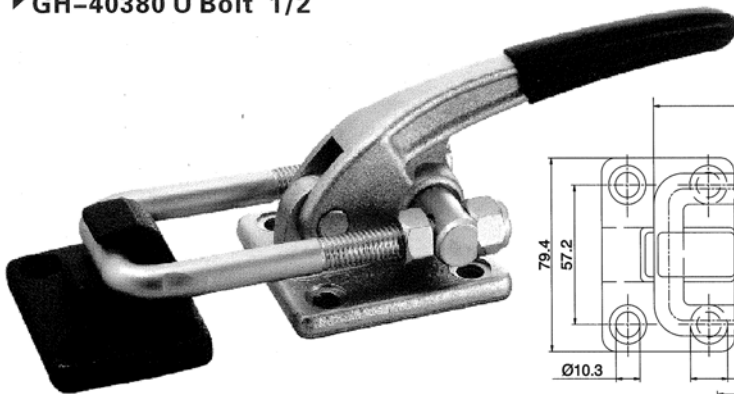
GH-40370-LP GH-40370



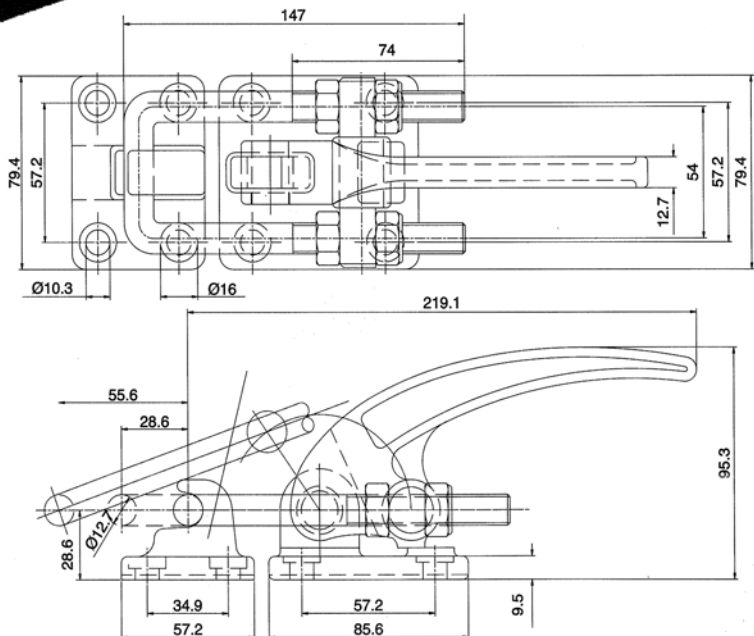
UNT:mm

## GH-40380 AND GH-40380-SS

- ▶ Forged alloy steel handle & base.
- ▶ Optional latch plate available:GH-40370-LP
- ▶ WEIGHT:1480g
- ▶ HOLDING CAPACITY:3400kg
- ▶ GH-40380-SS LATCH PLATE are stainless steel
- ▶ GH-40380 U Bolt 1/2



GH-40370-LP GH-40380

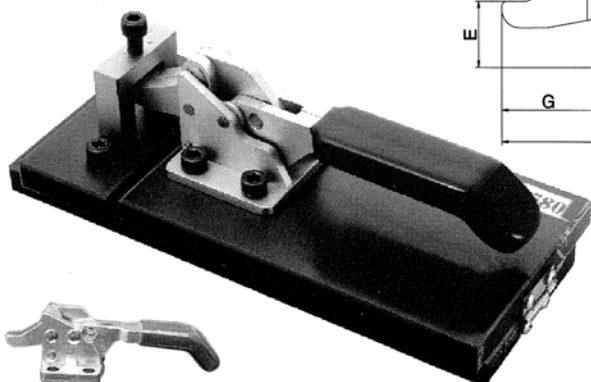
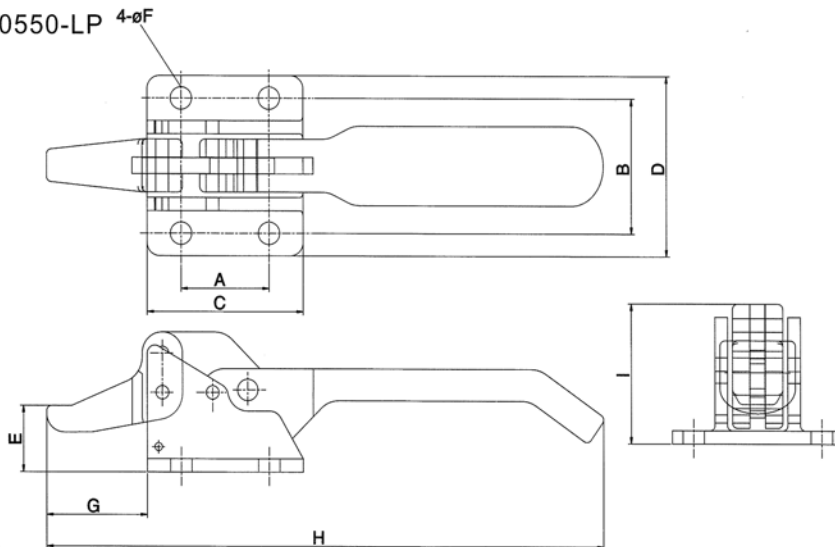


UNT:mm



## GH-40550 AND GH-40580

- Optional latch plate available:GH-40580-LP
- Optional latch plate available:GH-40550-LP

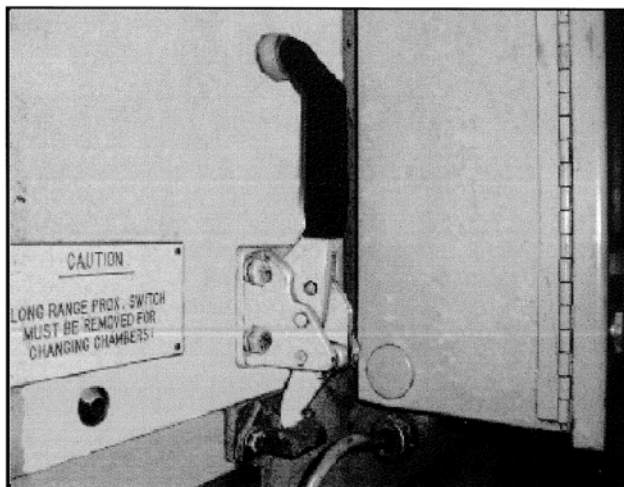
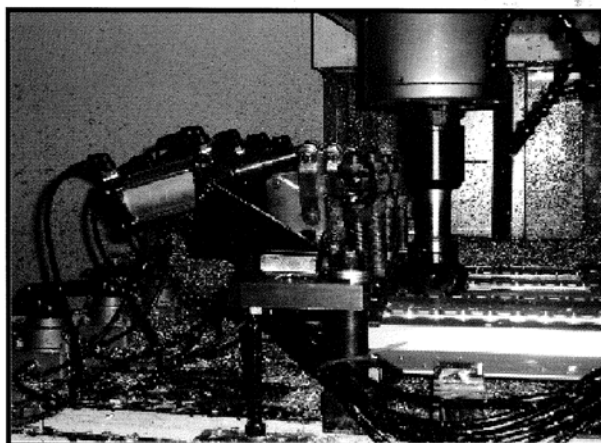
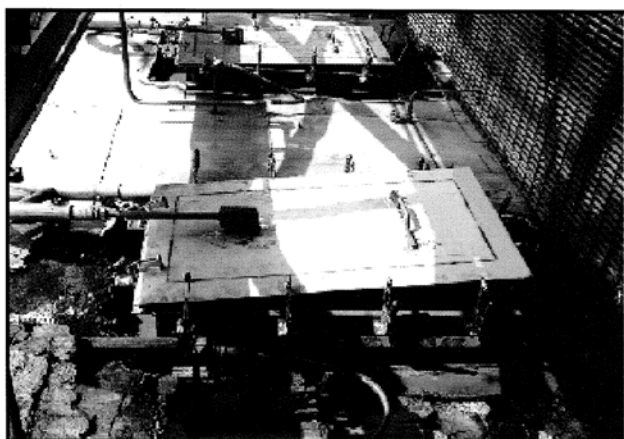


GH-40550

GH-40580

UNT:mm

MODEL	WEIGHT(g)	A	B	C	D	E	øF	G	H	I
GH-40550	200	19	32	31	42	17.5	6.5	22	116	33
GH-40580	940	35	51	62	68	25	8.5	40	222	52.8

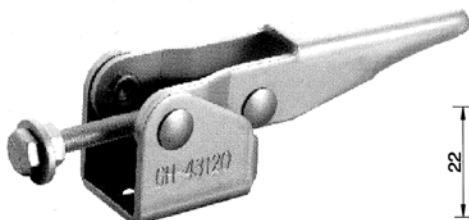


## GH-43110 AND GH-43120

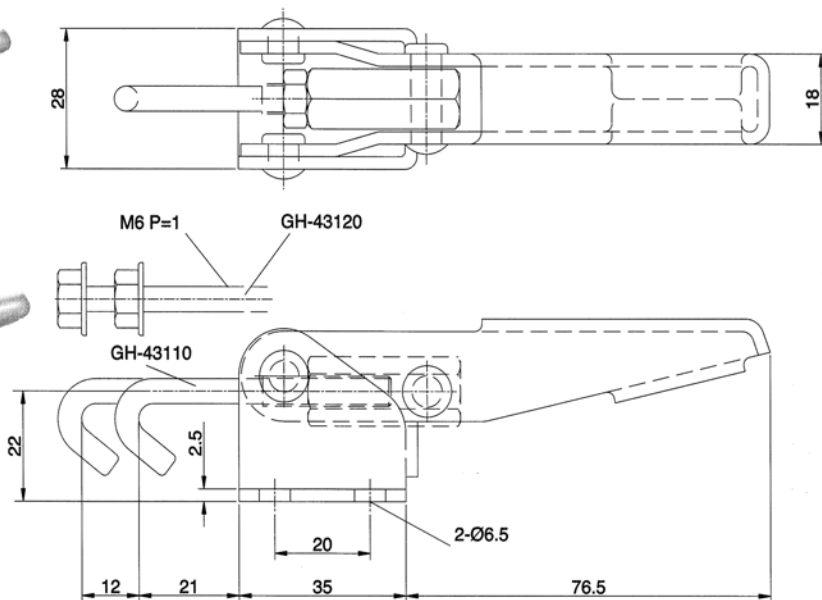
- ▶ WEIGHT:180g
- ▶ HOLDING CAPACITY:170kg
- ▶ GH-43110 Supplied with M6 P=1.0 hook bolt.
- ▶ GH-43120 Supplied with GH-SA-065010 hex head spindle assembly.



**GH-43110**



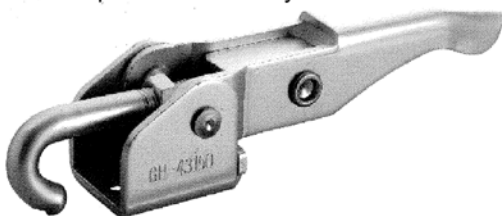
**GH-43120**



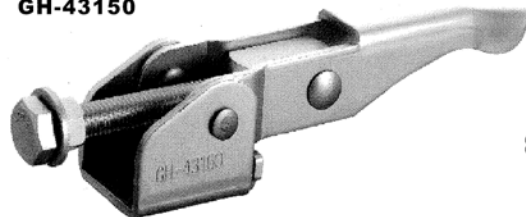
UNT:mm

## GH-43150 AND GH-43160

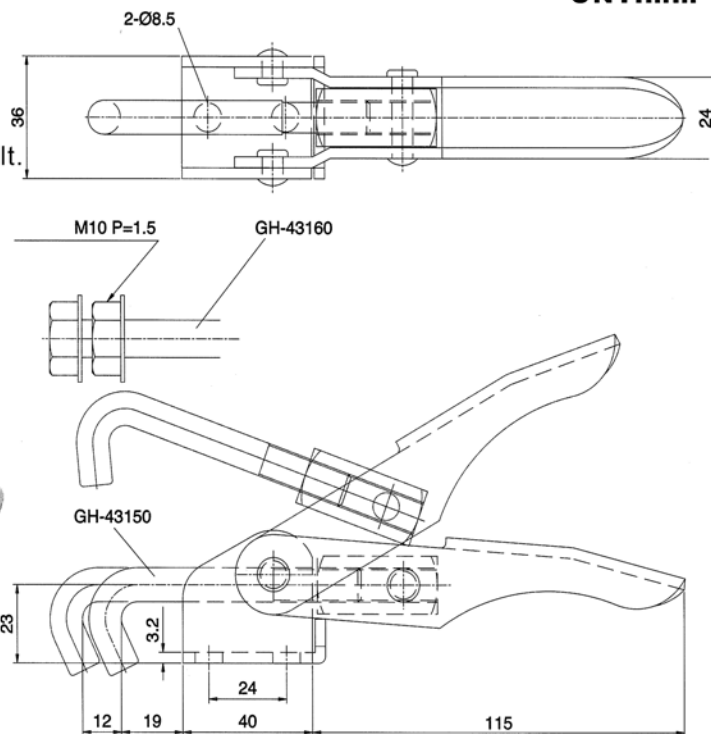
- ▶ WEIGHT:385g
- ▶ HOLDING CAPACITY:300kg
- ▶ GH-43150 Supplied with M10 P=1.5 hook bolt.
- ▶ GH-43160 Supplied with GH-SA-107515 hex head spindle assembly.



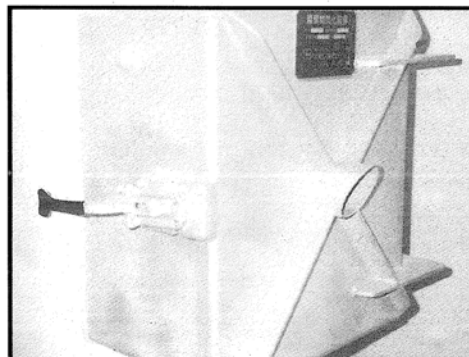
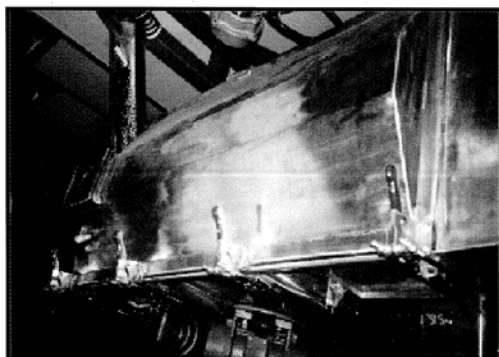
**GH-43150**



**GH-43160**



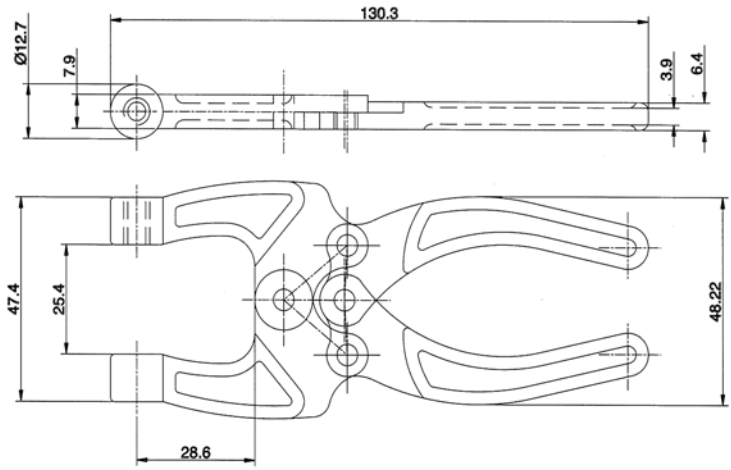
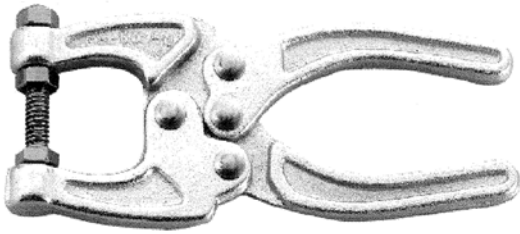
UNT:mm





## GH-50350

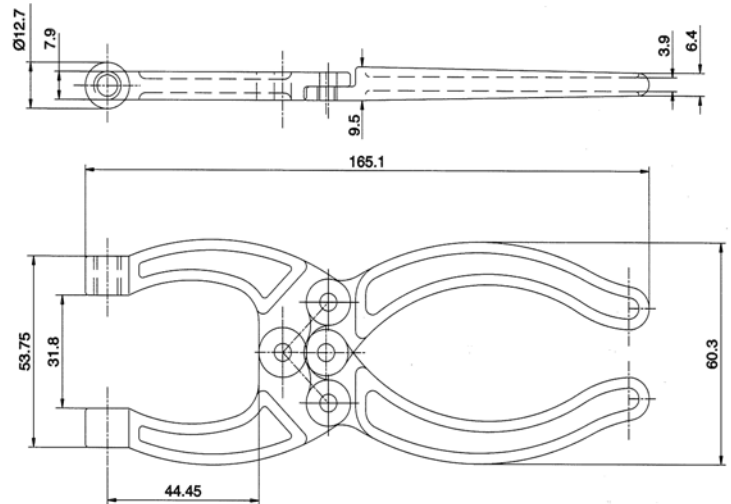
- ▶ WEIGHT: 185g
- ▶ HOLDING CAPACITY: 90kg
- ▶ SPINDLE SUPPLIED: GH-SA-14112



UNT:mm

## GH-50360

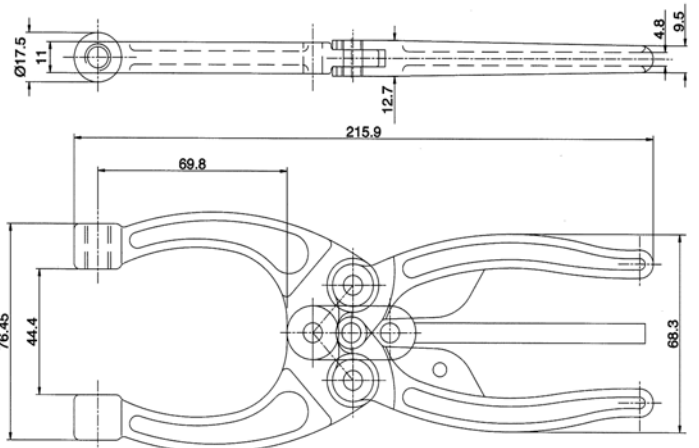
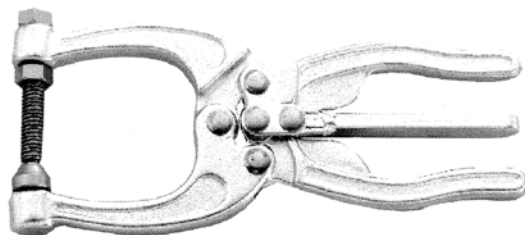
- ▶ WEIGHT: 290g
- ▶ HOLDING CAPACITY: 159kg
- ▶ SPINDLE SUPPLIED: GH-SA-56200



UNT:mm

## GH-50380

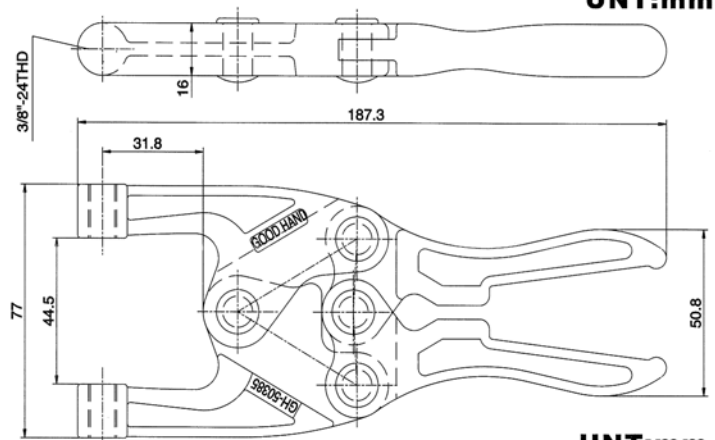
- ▶ WEIGHT: 660g
- ▶ HOLDING CAPACITY: 318kg
- ▶ SPINDLE SUPPLIED: GH-SF-38300



UNT:mm

## GH-50385

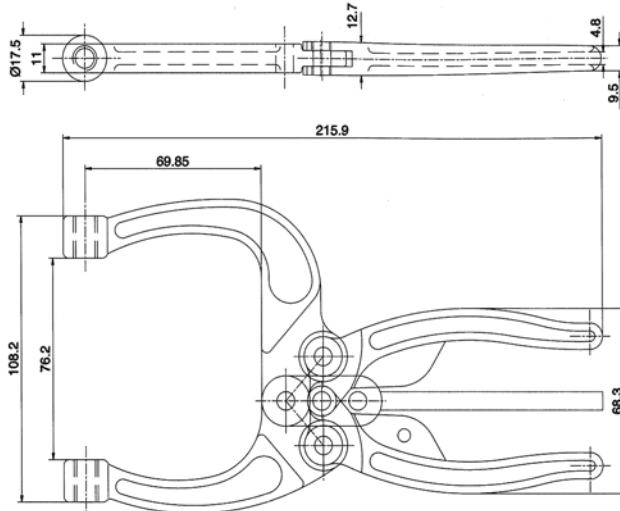
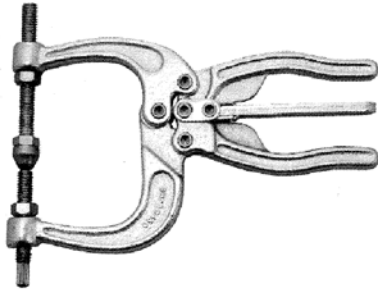
- ▶ WEIGHT: 710g
- ▶ HOLDING CAPACITY: 820kg
- ▶ SPINDLE SUPPLIED: GH-SA-38114



UNT:mm

## GH-50450

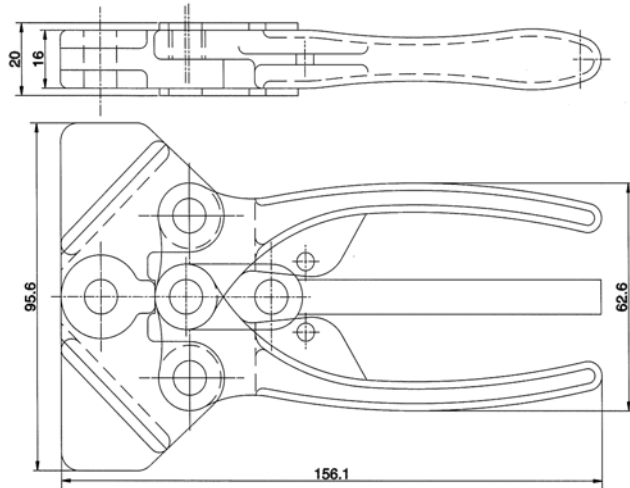
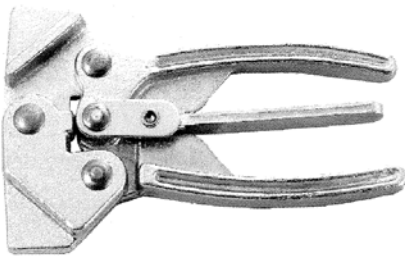
- WEIGHT:740g
- HOLDING CAPACITY:318kg
- SPINDLE SUPPLIED:GH-SF-38300  
GH-SA-38300



UNT:mm

## GH-50480

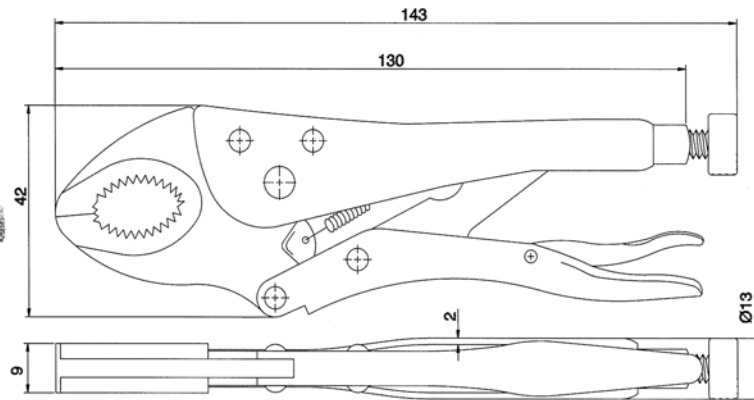
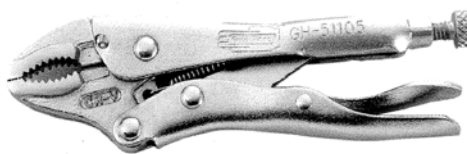
- 2 stub jaws for easy linking to special jaw extensions.
- WEIGHT:600g
- HOLDING CAPACITY:500kg



UNT:mm

## GH-51105

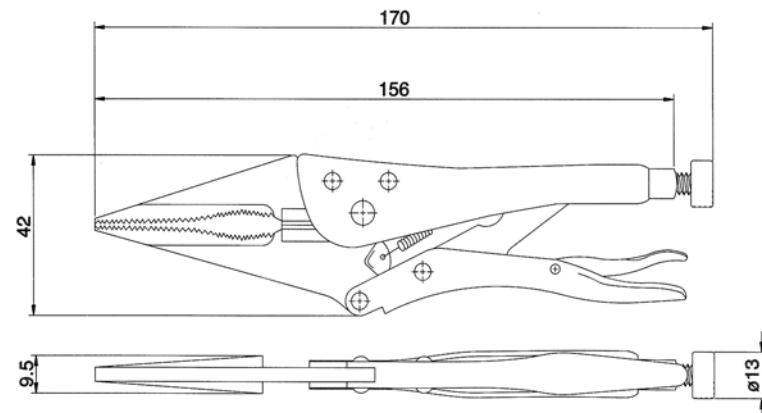
- WEIGHT:180g
- HOLDING CAPACITY:102kg



UNT:mm

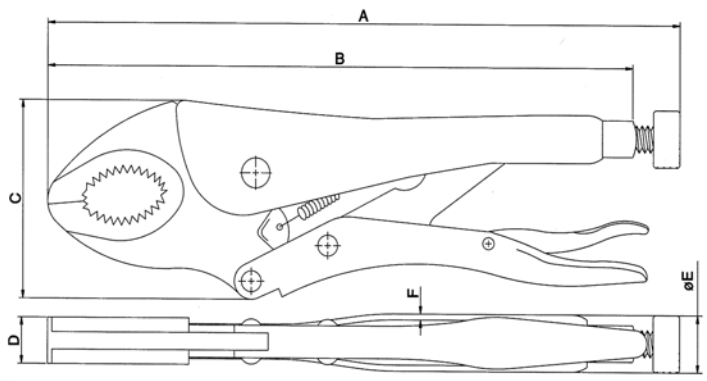
## GH-51106

- WEIGHT:190g
- HOLDING CAPACITY:102kg



UNT:mm

## GH-51150 AND GH-51152

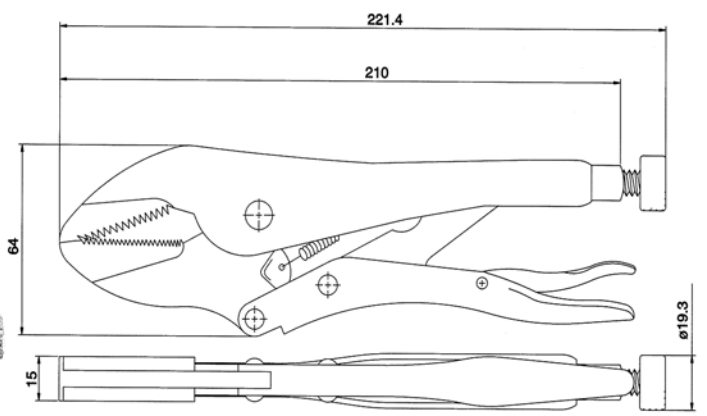
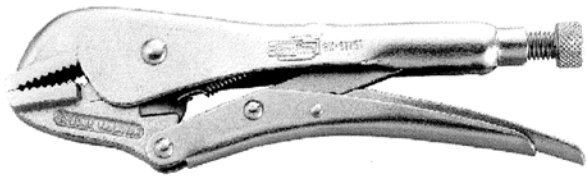


MODEL	WEIGHT(g)	HOLDING CAPACITY(kg)	A	B	C	D	ØE	F
GH-51150	340	350	190	175	52.5	11	16.5	2
GH-51152	520	400	228	211	63	11	19	2

UNT:mm

## GH-51151

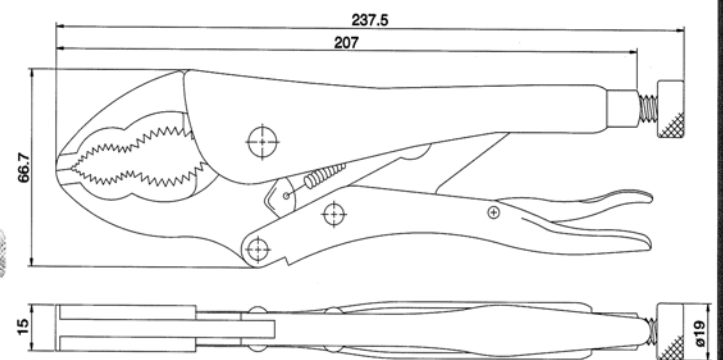
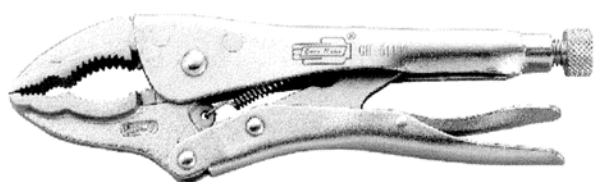
- ▶ WEIGHT:520g
- ▶ HOLDING CAPACITY:580kg



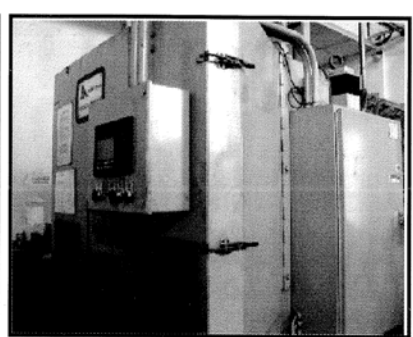
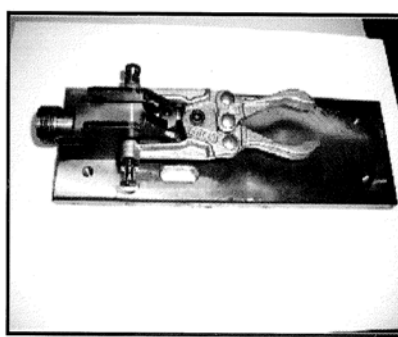
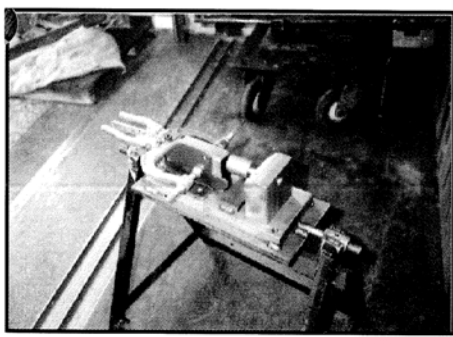
UNT:mm

## GH-51100

- ▶ WEIGHT:850g
- ▶ HOLDING CAPACITY:350kg

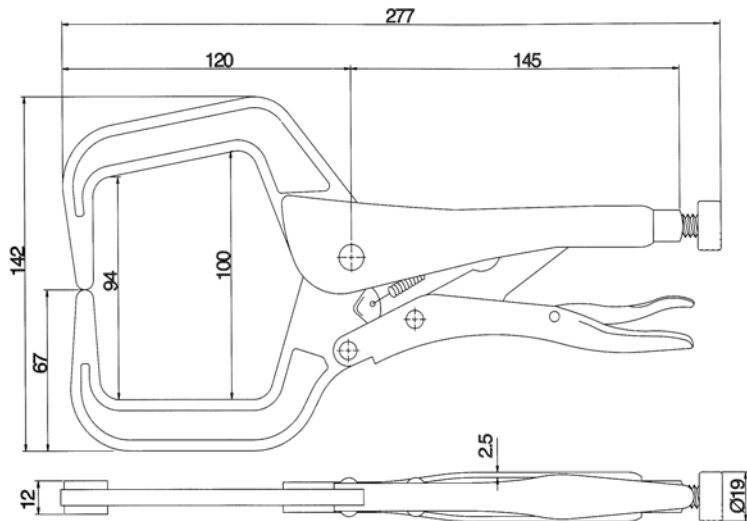


UNT:mm



**GH-51111**

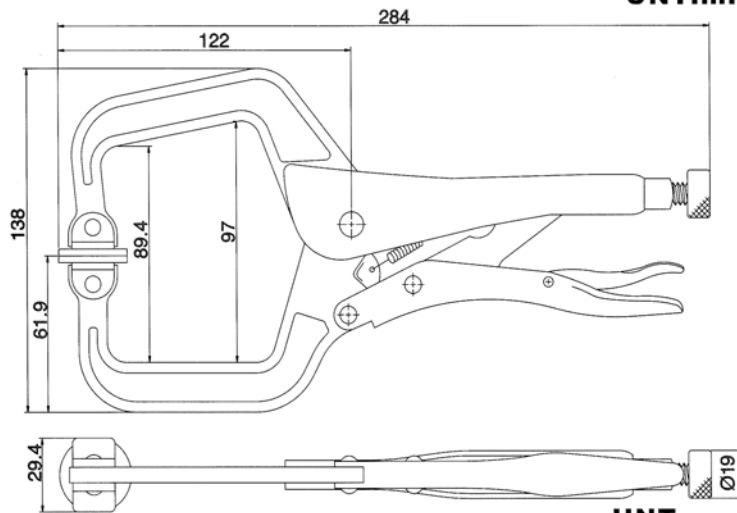
- ▶ WEIGHT:850g
- ▶ HOLDING CAPACITY:350kg



UNT:mm

**GH-511SP**

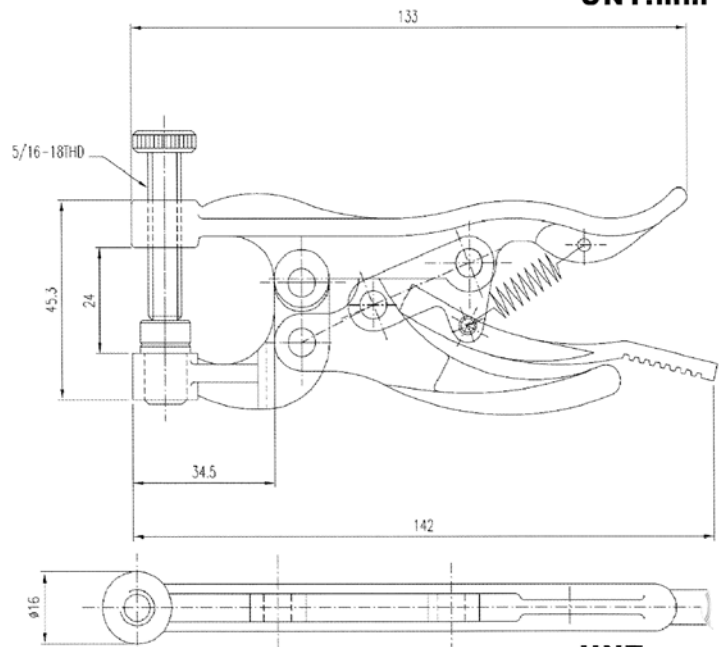
- ▶ WEIGHT:850g
- ▶ HOLDING CAPACITY:350kg



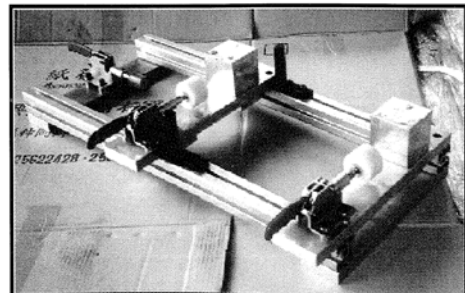
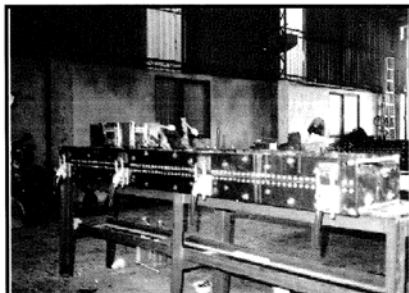
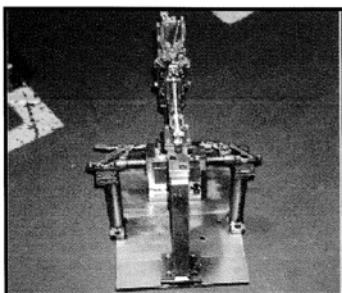
UNT:mm

**GH-51000**

- ▶ WEIGHT:255g
- ▶ HOLDING CAPACITY:200kg
- ▶ SPINDLE SUPPLIED:GH-SA-56112

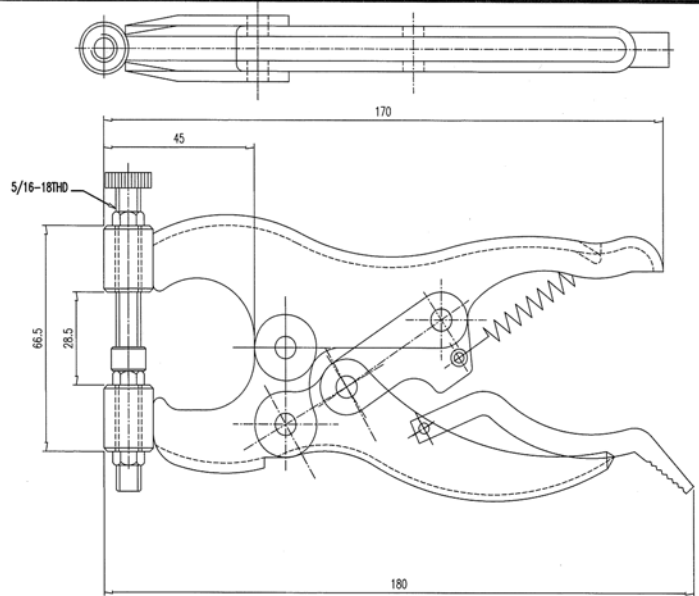


UNT:mm



**GH-51010**

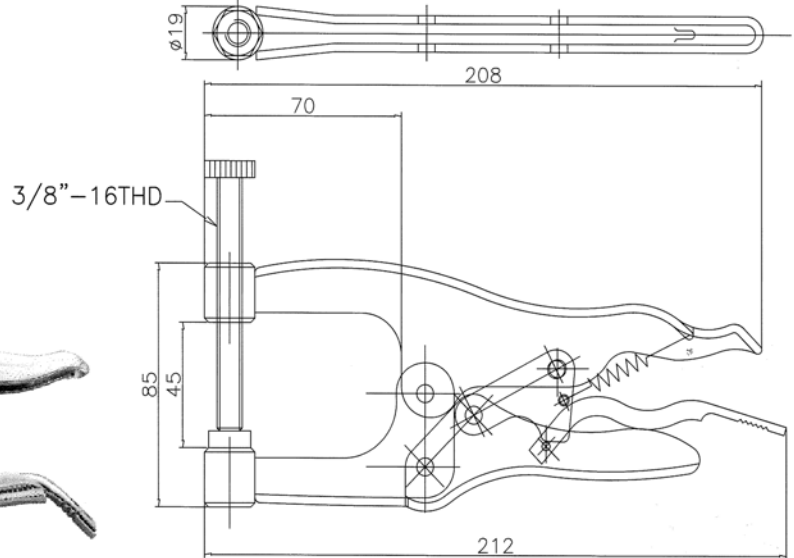
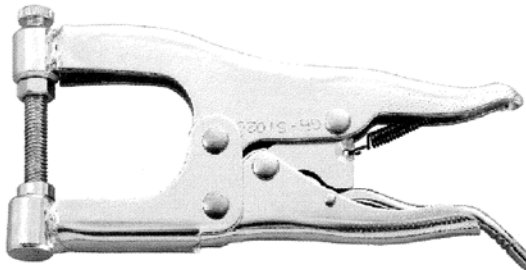
- ▶ WEIGHT:475g
- ▶ HOLDING CAPACITY:250kg
- ▶ SPINDLE SUPPLIED:GH-SA-56112



UNT:mm

**GH-51020**

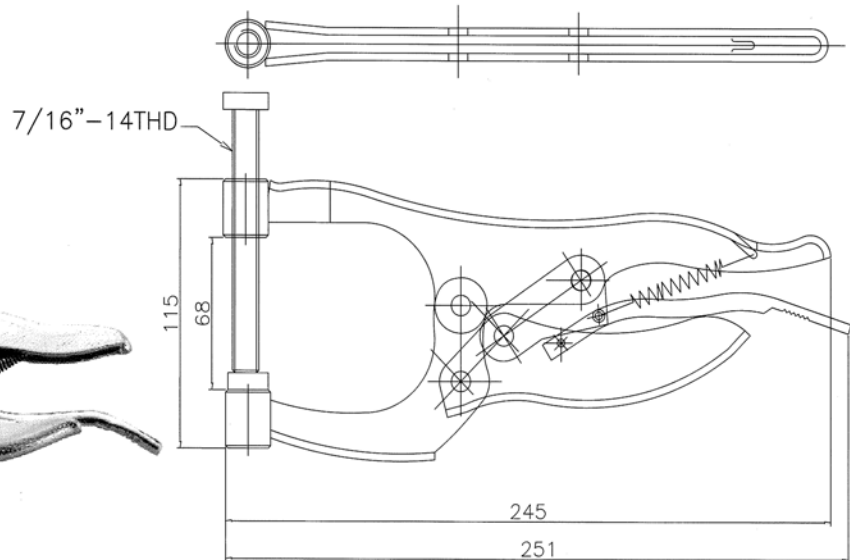
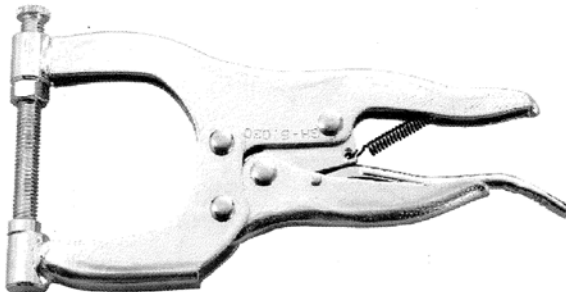
- ▶ WEIGHT:655g
- ▶ HOLDING CAPACITY:300kg



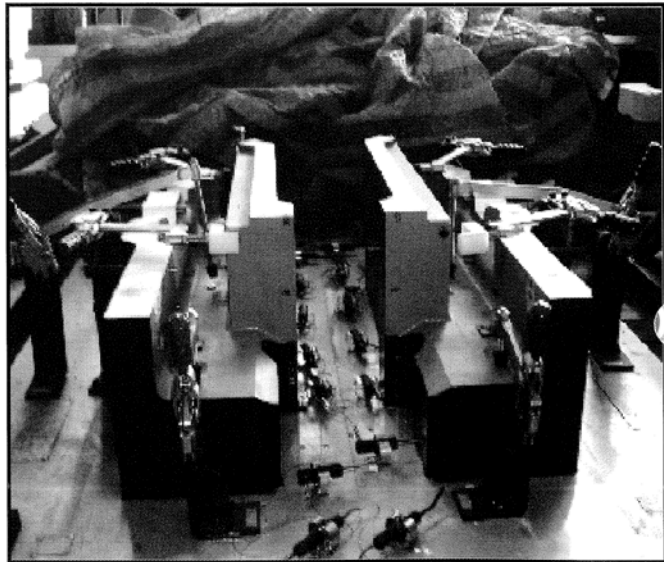
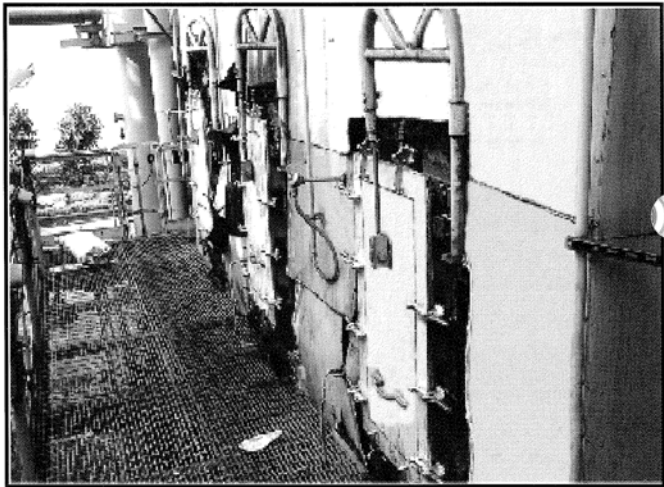
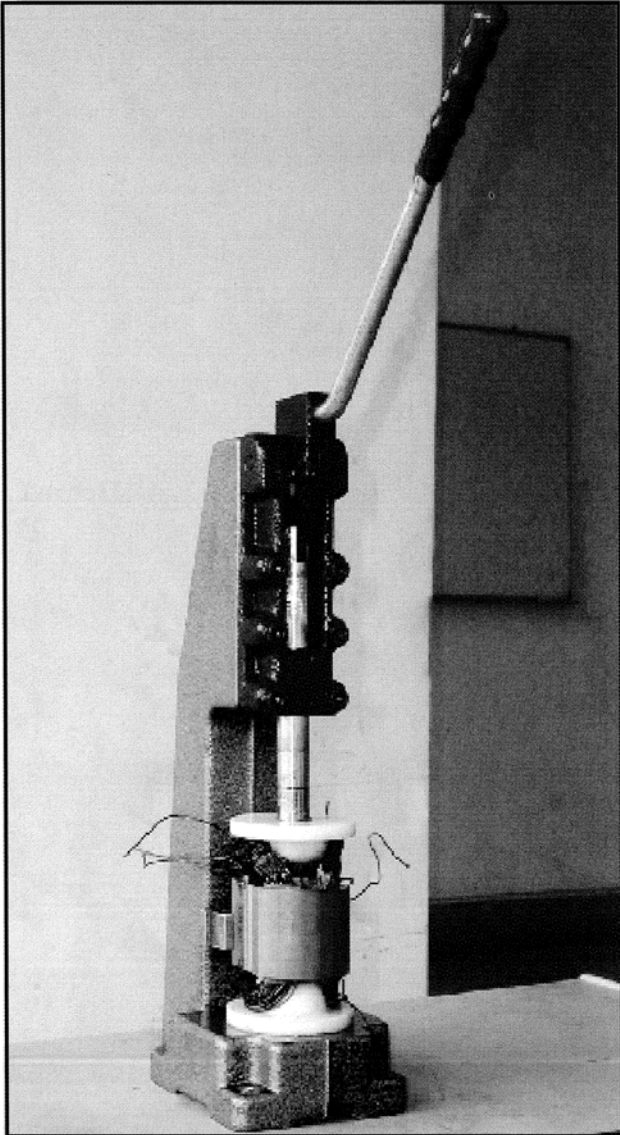
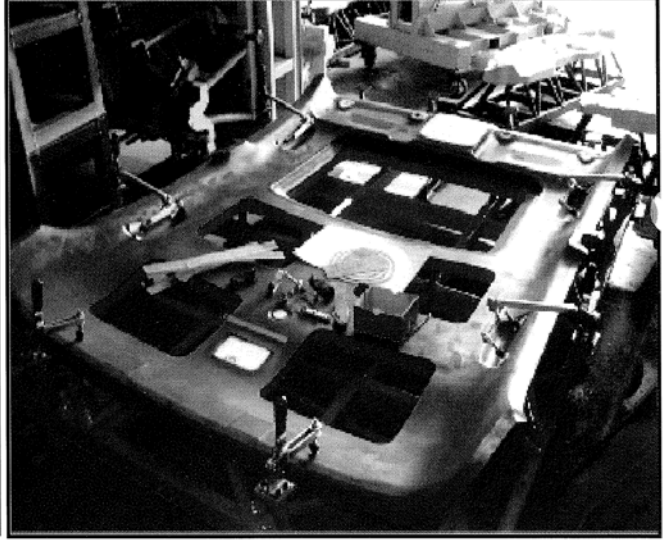
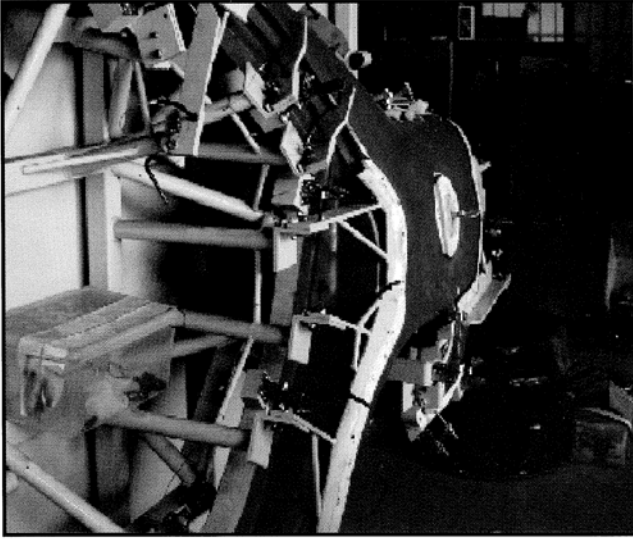
UNT:mm

**GH-51030**

- ▶ WEIGHT:840g
- ▶ HOLDING CAPACITY:260kg



UNT:mm



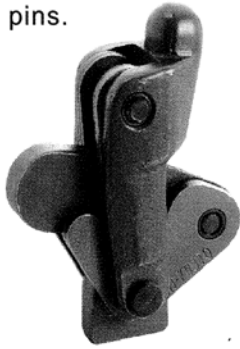


## GH-70305 AND GH-70310 AND GH-70315

## GH-70505 AND GH-70510 AND GH-70515

## GH-70605 AND GH-70610 AND GH-70615

These heavy-duty clamps provide the strong and durable function to meet then requirement of high precision repeatability for car manufacturing industry ,Drop forged parts are accurately machined and equipped with hardened pivot pins and bushings, The clamps are fitted with hardened and ground bushes and pivot pins.



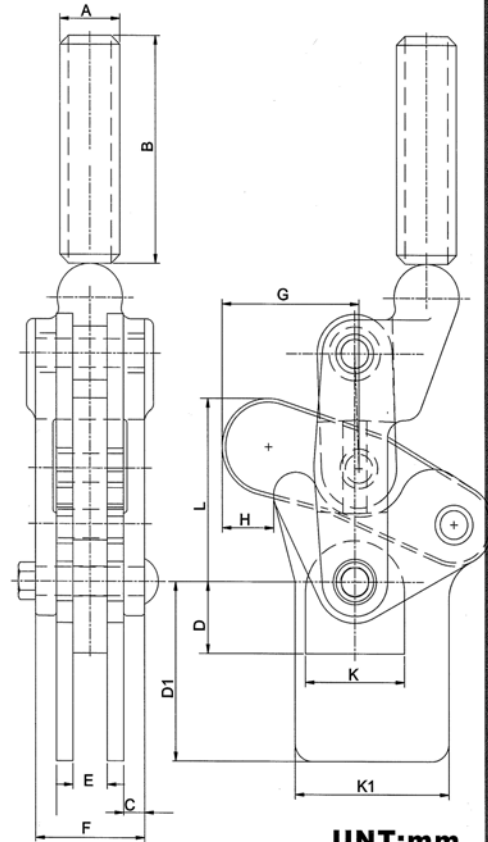
**GH-70310**  
**GH-70510**  
**GH-70610**



**GH-70315**  
**GH-70515**  
**GH-70615**



**GH-70305**  
**GH-70505**  
**GH-70605**

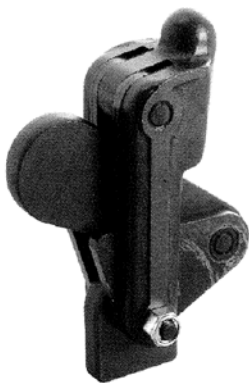


UNT:mm

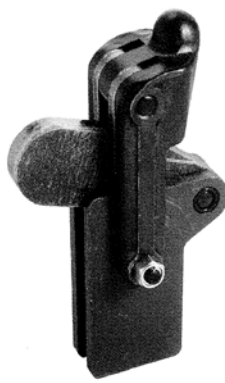
MODEL	WEIGHT(g)	HOLDING CAPACITY(kg)	ARM OPENS	HANDLE OPENS	ØA	B	C	D	D1	E	F	G	H	K	K1	L
GH-70305	760	500	214°	134°	17.5	125	4.8	-	-	10	31.8	40	15	-	-	51
GH-70310	850							20	50					29	45	
GH-70315	940							50	50					-	45	
GH-70505	1330	1000	206°	130°	22.2	125	4.8	-	-	12.3	40.3	57	26	-	-	73
GH-70510	1490							28	63.5					38	51	
GH-70515	1590							63.5	63.5					-	51	
GH-70605	2550	2000	206°	130°	27	125	6.3	-	-	16	48.6	74.3	33	-	-	91
GH-70610	2830							33	-					51	63.5	
GH-70615	2950							76	76					-	63.5	

## GH-70710 AND GH-71210 AND GH-72410

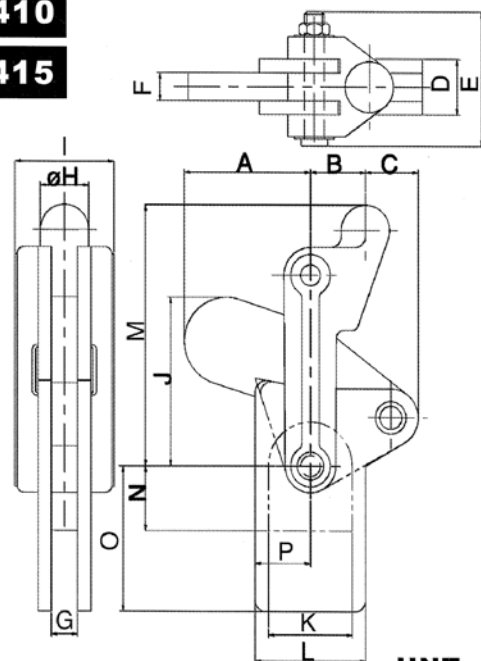
## GH-70715 AND GH-71215 AND GH-72415



**GH-70710**  
**GH-71210**  
**GH-72410**



**GH-70715**  
**GH-71215**  
**GH-72415**



UNT:mm

MODEL	WEIGHT(g)	HOLDING CAPACITY(kg)	BAR OPENS	HANDLE OPENS	A	B	C	D	E	F	G	ØH	I	J	K	L	M	N	O	P
GH-70710	700	700	205°	130°	40	23	16	20	51	10	10	20	38	52	29	-	94	20	-	25
GH-71210	1300	1200	195°	130°	57	25	24	24	58	12	12	22	45	73	38	-	113	28	-	40
GH-72410	2900	2400	195°	130°	72	35	26	32	66	16	16	30	53	91	52	-	144	33	-	60
GH-70715	800	700	205°	130°	40	23	16	20	51	10	10	20	38	52	-	45	94	-	50	25
GH-71215	1450	1200	195°	130°	57	25	24	24	58	12	12	22	45	73	-	50	113	-	63	40
GH-72415	3200	2400	195°	130°	72	35	26	32	66	16	16	30	53	91	-	63	144	-	76	60

## GH-75027 AND GH-75027-SM

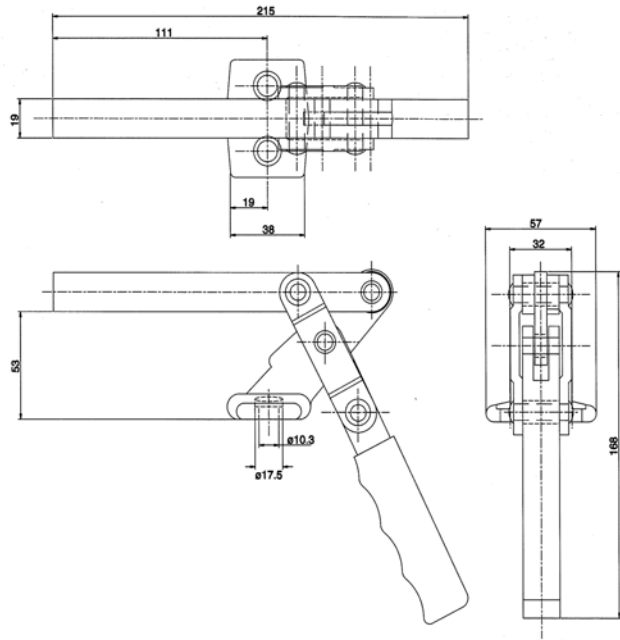
- ▶ WEIGHT: 1140g
- ▶ HOLDING CAPACITY: 450kg
- ▶ BAR OPENS: 195°



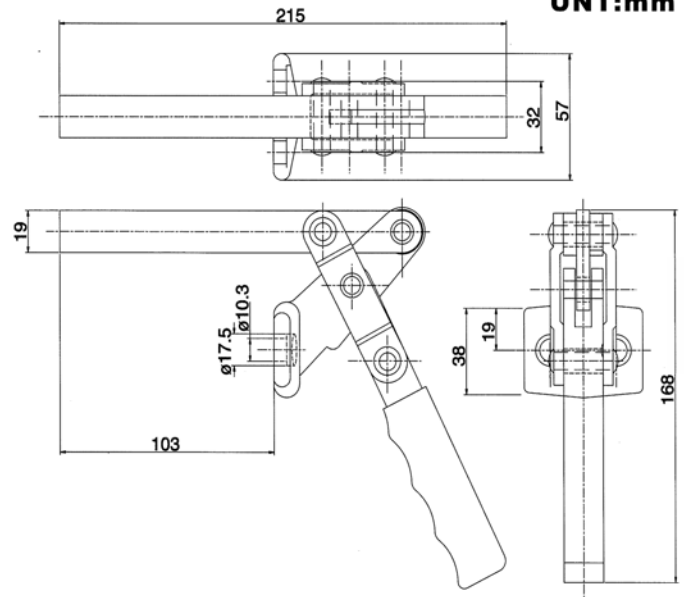
GH-75027



GH-75027-SM



UNT:mm

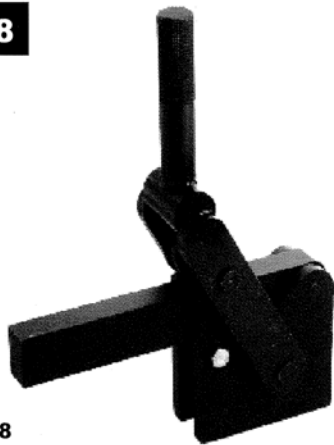


UNT:mm

GH-75048

GH-75078

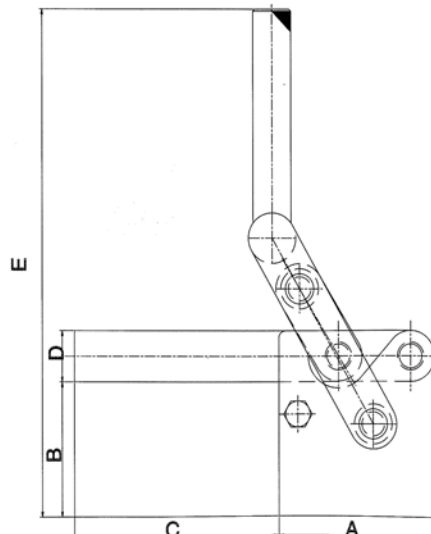
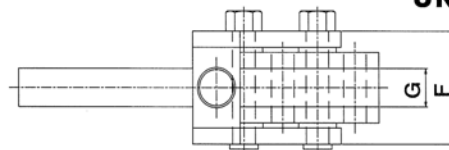
GH-75088



GH-75048

GH-75078

GH-75088



UNT:mm

MODEL	WEIGHT(g)	HOLDING CAPACITY(kg)	ØA	B	C	D	E	F	G
GH-75048	2700	700	82.6	67.2	108	25.4	252	56	19
GH-75078	4200	1600	101.6	69.2	117.5	32	276	65.2	22.2
GH-75088	6500	2500	127	82.6	120	38	324	69.4	25.4



**GH-70320 AND GH-70300T, GH-70300B, GH-70720**

**GH-70725 AND GH-71220, GH-71225, GH-72420**

**GH-72425 AND GH-70533**

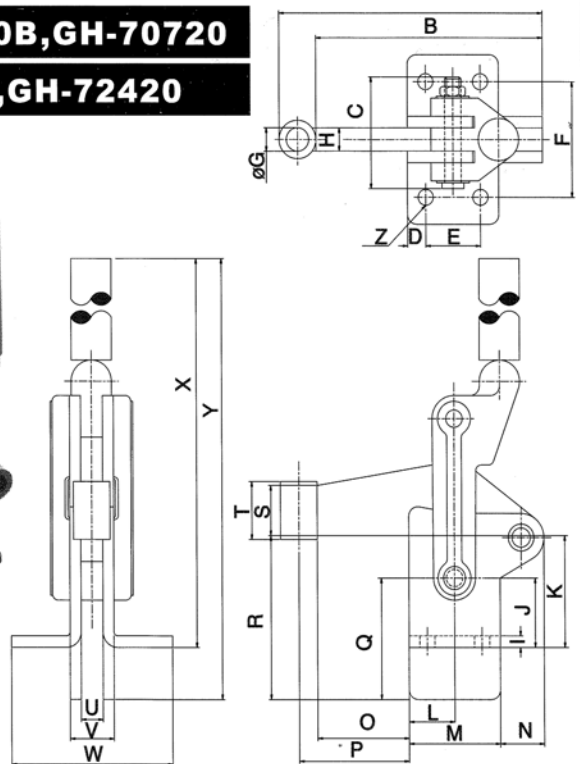


**GH-70320**

**GH-70300T**

**GH-70720  
GH-71220  
GH-72420**

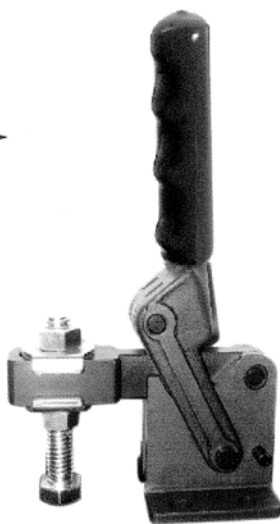
**GH-70725  
GH-71225  
GH-72425**



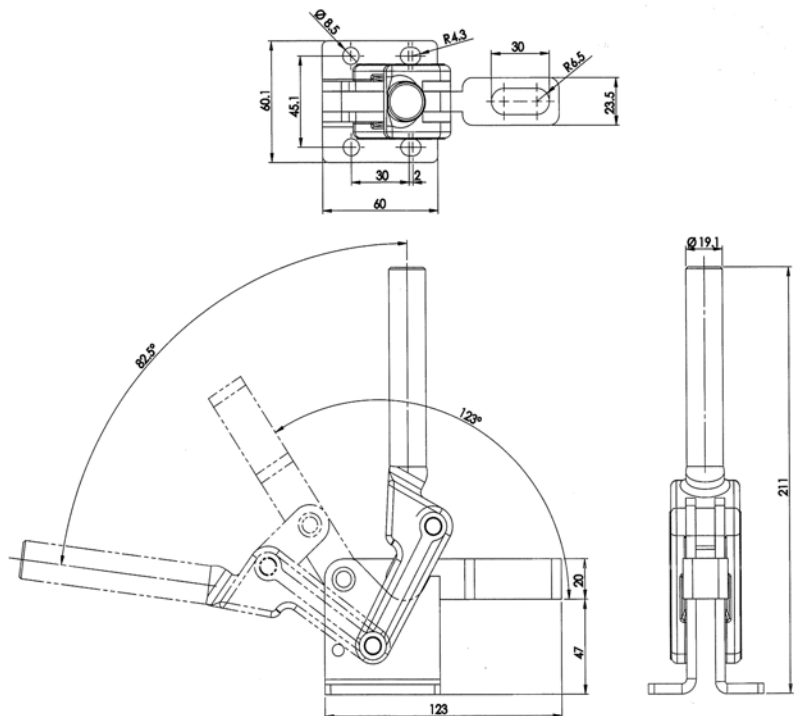
<b>MODEL</b>	GH-70320	GH-70300T	GH-70300B	GH-70720	GH-70725	GH-71220	GH-71225	GH-72420	GH-72425
<b>WEIGHT (g)</b>	290	250	310	1100	1250	1800	1950	3750	4100
<b>HOLDING CAPACITY (kg)</b>	300			700			1200		2400
<b>BAR OPENS</b>	210°			205°	180°	195°	180°	195°	
<b>HANDLE OPENS</b>	134°			130°	120°	130°	125°	130°	

UNT:mm

MODEL	A	B	C	D	E	F	G	ØH	I	J	K	L	M	N	O	P	Q	R	S	T	U	V	W	X	Y	ØZ	
GH-70320	84	-	27	-	-	-	6.5	-	-	-	-	15	27	12	45	-	28	42	15	-	6	12	-	-	136	-	
GH-70300T	29	14	10	12	27	6	6	16	20	32	-	27	107	-	28	15	-	-	-	-	-	-	-	42	120	-	6.5
GH-70300B	84	-	27	6	19	32	6.5	-	5	13	23	15	31	8	45	-	-	-	15	-	-	-	-	42	120	-	6.5
GH-70720	-	104	51	-	-	-	12.2	10	-	-	-	25	45	20	40	25	50	70	22	30	10	20	-	215	235	-	
GH-70725	124	25	51	10	25	50	12.2	10	5	28	48	25	45	20	40	25	-	-	22	30	-	-	67	215	235	8.3	
GH-71220	-	-	58	-	-	-	12.2	12	-	-	-	25	50	24	50	50	63	85	26	30	12	24	-	276	303	-	
GH-71225	144	35	58	10	30	60	12.2	12	6	36	58	25	50	24	50	50	-	-	26	30	-	-	88	276	303	8.3	
GH-72420	-	-	66	-	-	-	16.3	16	-	-	-	40	63	35	60	75	76	105	32	38	16	32	-	295	318	-	
GH-72425	188	-	66	12	40	75	16.3	16	8	46	70	40	63	35	60	75	-	-	32	38	-	-	105	295	318	10.3	



**GH-70533**



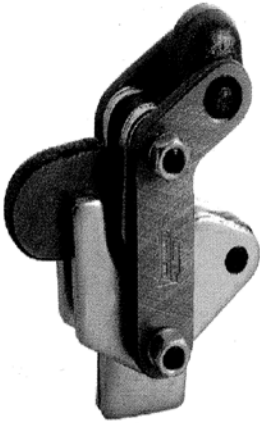
UNT:mm

**GH-702-C AND GH-70201, GH-702-D, GH-70203**

**GH-702-K AND GH-701-C, GH-70101, GH-701-D**

**GH-70103 AND GH-701-K**

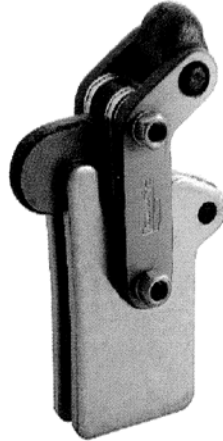
▶ **FIXED HANDLE HOLDER**  
▶ **(ONE PIECE FORGED)**



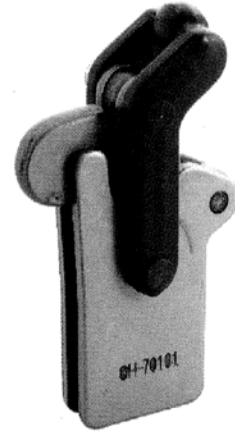
**GH-702-C**  
**GH-702-D**  
**GH-702-K**



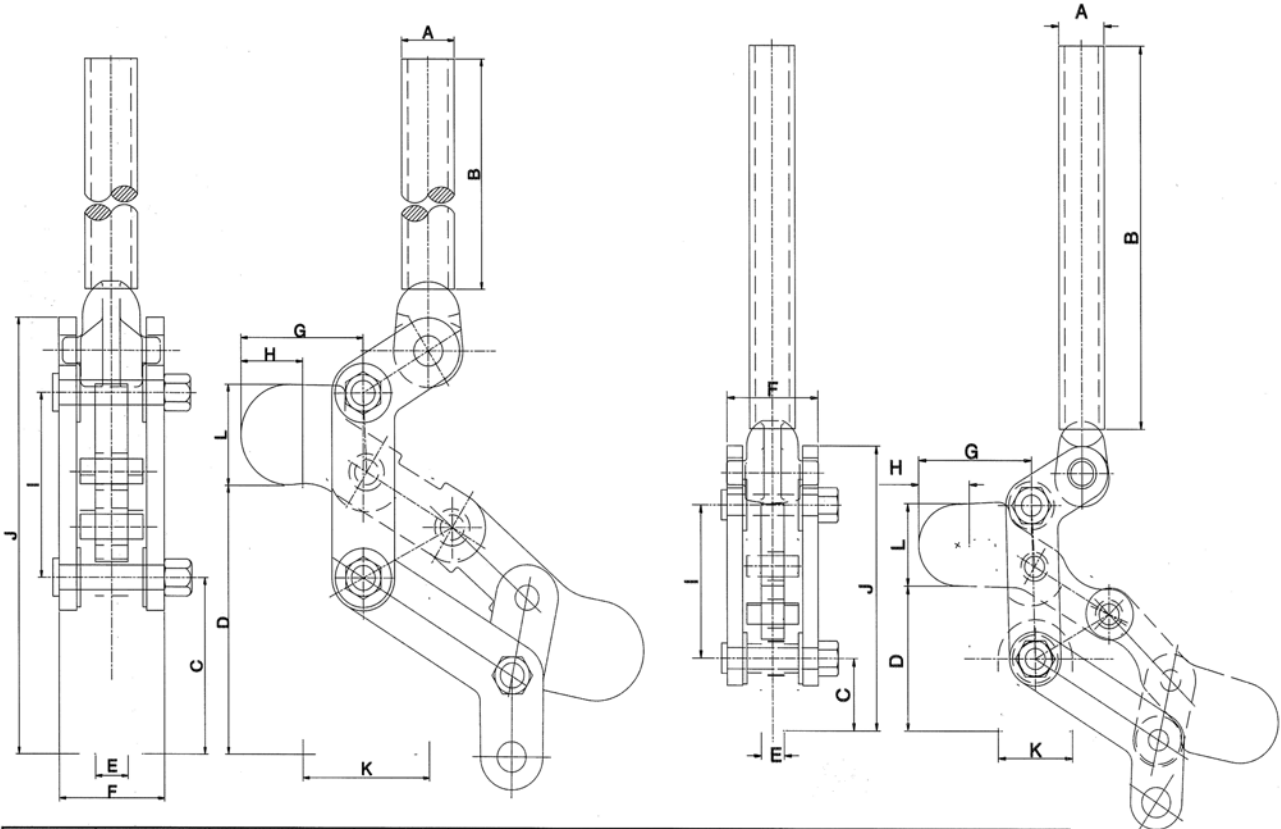
**GH-70201**  
**GH-70203**



**GH-701-C**  
**GH-701-D**  
**GH-701-K**



**GH-70101**  
**GH-70103**

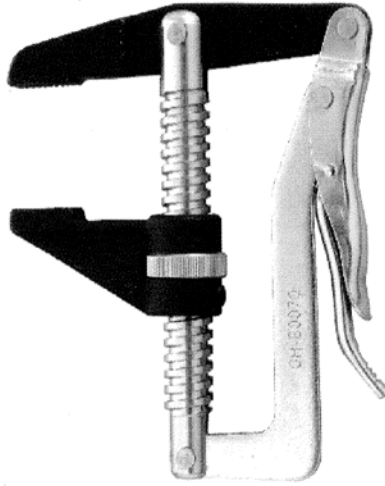


MODEL	WEIGHT(g)	HOLDING CAPACITY(kg)	BAR OPENS	HANDLE OPENS	ØA	B	C	D	E	F	G	H	I	J	K	ØL
GH-702-C	680	200	194"	123"	173	152.4	23.8	48	8	31.8	40	17	50.8	93	26	28
GH-70201																
GH-702-D	1470	500	191"	122"	21.7		33.7	69	13	42	48.8	24.6	70	132	36.4	39
GH-70203																
GH-702-K	2610	1000	197"	128"	27.2		37.2	84	16	46	53	25	90	167	54	52
GH-701-C	600	200	194"	123"	17.3		50	75.5	8	31.8	40	17	50.8	121	44.5	28
GH-70101																
GH-701-D	1590	500	191"	122"	21.7		66.8	102	13	42	48.8	24.6	70	165	50	39
GH-70103																
GH-701-K	2650	1000	197"	128"	27.2		80	123	16	46	53	25	90	205	63	52

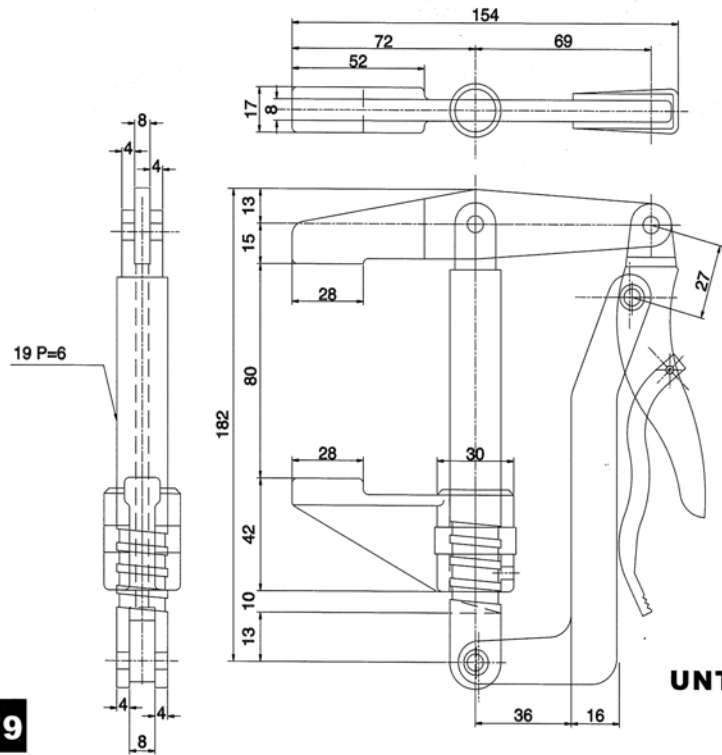
UNT:mm

## GH-80070

- ▶ WEIGHT: 977g
- ▶ HOLDING CAPACITY: 200kg
- ▶ SCREW STROKE: 85mm



GH-80070



UNT:mm

## GH-80325 AND GH-80379

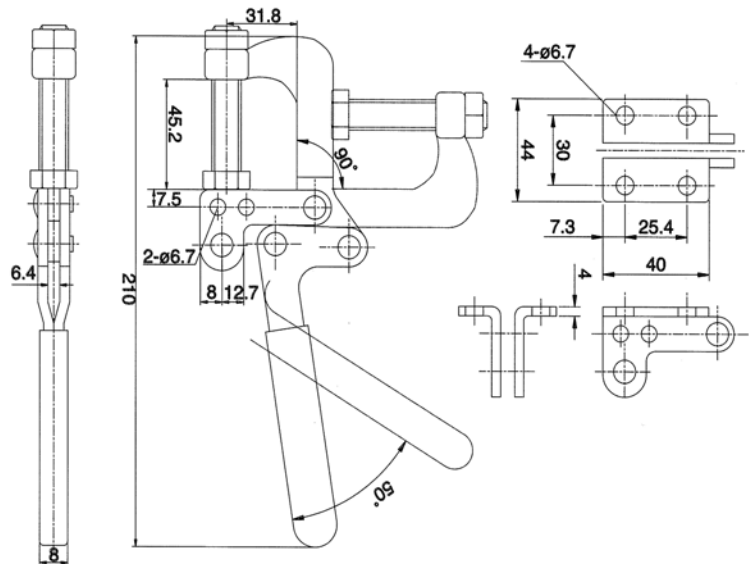
- ▶ WEIGHT: 500g
- ▶ HOLDING CAPACITY: 340kg
- ▶ SPINDLE SUPPLIED: GH-SA-12212
- ▶ HANDLE OPENS: 50°
- ▶ JAW OPENS: 90°

GH-80325-SS  
GH-80379-SS

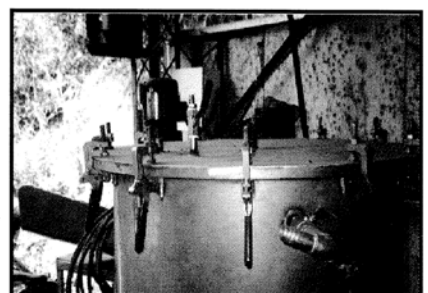


GH-80325

GH-80379



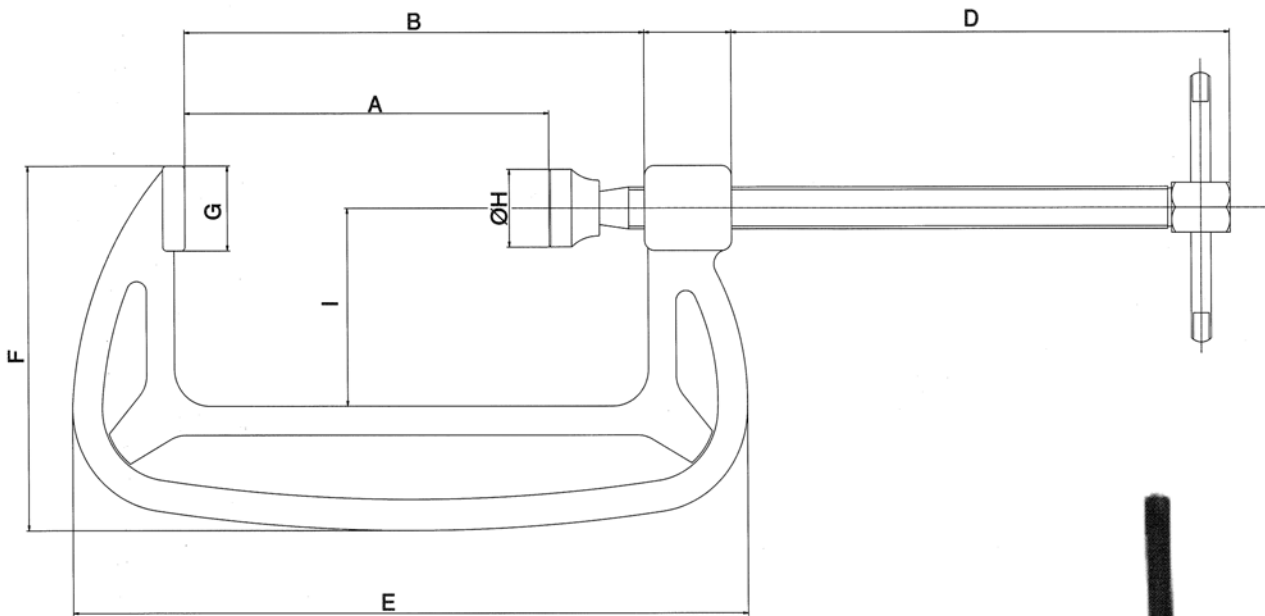
UNT:mm



► MATERIAL: AISI 1045 MEDIUM CARBON STEEL.

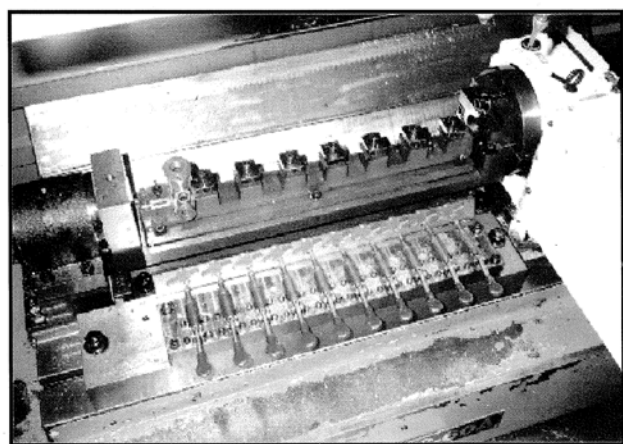
► HARDNESS: HRC 38<sup>0</sup> ± 2

► SURFACE: PHOSPHATE TREATMENT



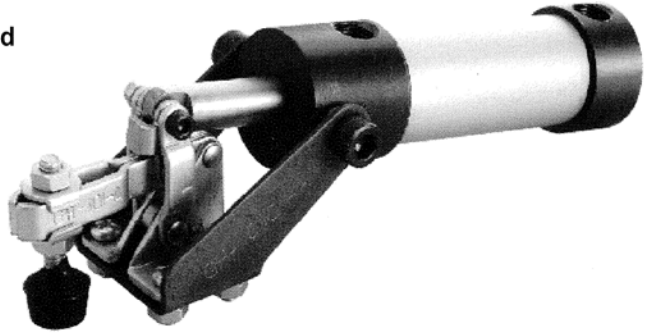
MODEL	SIZE	A	B	C	D	E	F	G	H	I	WEIGHT	HOLDING CAPACITY
		mm	mm	mm	mm	mm	mm	mm	mm	mm		
GH-M25	1"	25.5	36	20	49	80	58	20	Ø16	24.5	0.2	1300
GH-M38	1-1/2"	39	50	20	69	97	68	20	Ø16	31	0.29	1500
GH-M50	2"	54	66	21.6	87.8	120	70.5	22.2	Ø15.8	31.3	0.45	2000
GH-M75	3"	69.7	85.3	27	107.4	148.4	83.7	27.4	Ø19	40	1.25	2800
GH-M100	4"	98.2	117.5	32.4	143	192.2	106	31.5	Ø22.2	51.5	1.40	3000
GH-M125	5"	118.7	140	36.7	176.4	225	122.5	35.5	Ø25.5	60.8	2.17	3300
GH-M150	6"	155	175	40	198.8	270	137.8	41.5	Ø25.5	72.3	3.17	3600
GH-M200	8"	185.2	209.5	44	239.8	323	174.4	41.7	Ø28	96	4.55	6000
GH-M250	10"	243.5	270	44.5	330	380	203	43	Ø28	124	6.1	7000
GH-M300	12"	290	320	55	360	455	223	50	Ø35	130	9.0	8000

UNT:mm



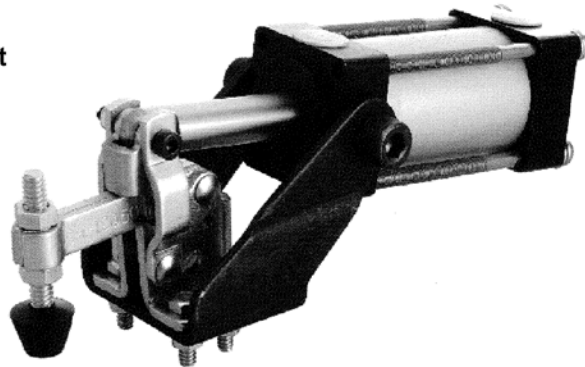
## GH-10101-A

- This miniature clamps is the air powered version of mode GH-101-A.
- Supplied with GH-FC-10138 neoprene tipped spindle assembly.



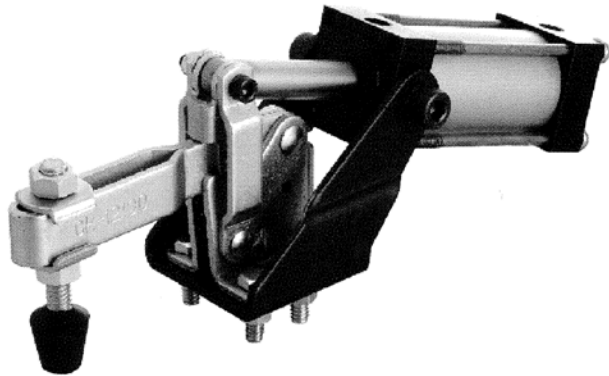
## GH-12050-A AND GH-12050-UA

- Supplied with GH-FC-14134 neoprene tipped spindle assembly.
- Hold down bar opens 95 to facilitate easy part loading and unloading.



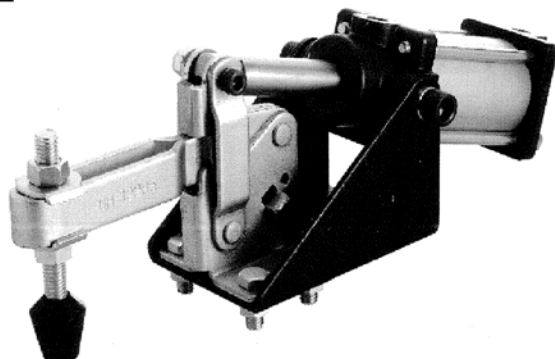
## GH-12130-A AND GH-12132-A

- Accepts all  $\frac{5}{16}$  - 18 diameter spindles. Solid bar with bolt retainer or U bar with flanged washers is available.
- Bar opens 92.



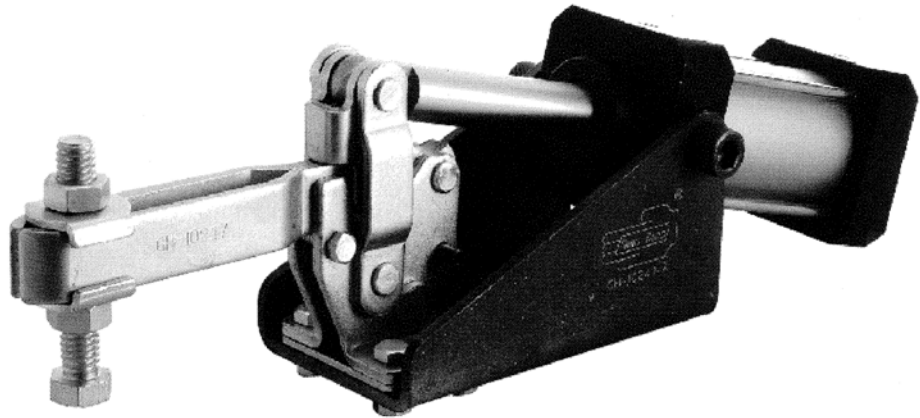
## GH-12265-A AND GH-12275-A

- Similar to series GH-12132-A. Accepts all  $\frac{3}{8}$  - 16 diameter spindles.
- Bar opens 95.



## GH-10247-A AND GH-10249-A

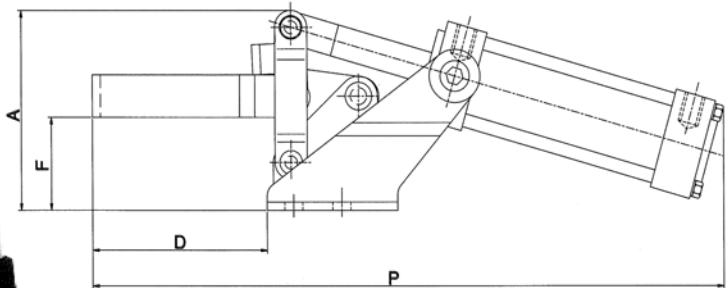
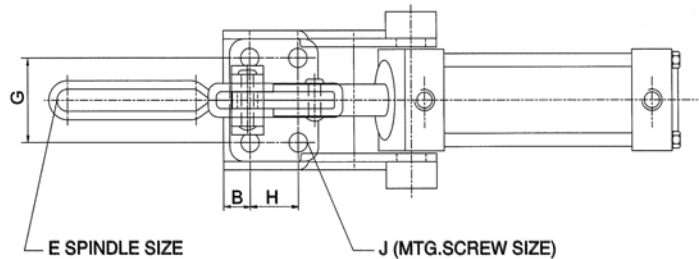
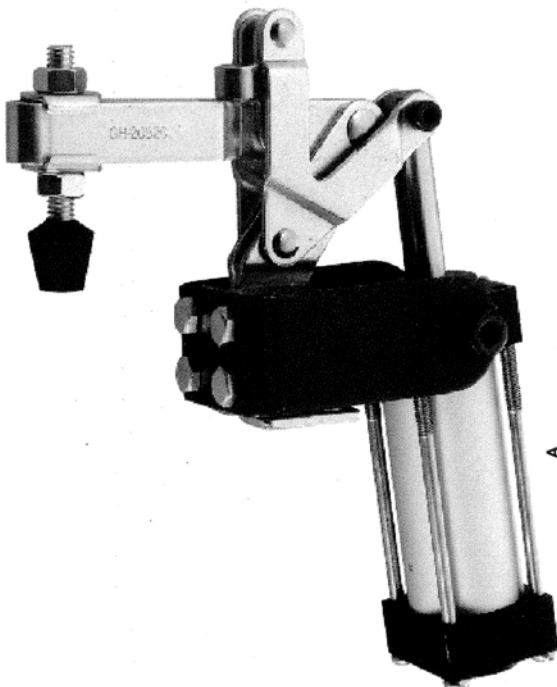
- Similar to preceding air-powered hold down action models.
- Accepts all  $1\frac{1}{2}$  spindles.
- BAR OPENS:  $95^\circ$



UNT:mm

## GH-20820-A

- Accepts all  $\frac{5}{16}$  -18 diameter spindles.
- Hold down action clamp which can be mounted either on the side or top of the fixture.
- Bar opens:  $90^\circ$



MODEL	BAR MOVES	PORT SIZE	P	A	B	D	E	F	G	H	J
GH-10101-A	82°	1/8NPT	168.5	40.7	4.8	24	GH-FC-10138	17.5	23.8	15.9	4.4
GH-12050-(U)A	105°	1/8NPT	185	55.7	6.3	35	GH-FC-56212	27	27	12.7	5.2
GH-12130-A	92°	1/8NPT	236.5	75.4	10.3	68	GH-FC-56212	33.9	32	19	7.1
GH-12132-A	92°	1/8NPT	260	75.3	10.3	88	GH-FC-56212	34.2	32	19	7.1
GH-12265-A	86°	1/8NPT	392	93.7	9.5	88.2	GH-FC-38312	44.2	45.2	31.8	8.3
GH-12275-A	86°	1/8NPT	302	93.7	9.5	88.2	GH-FC-38312	44.2	45.2	31.8	8.3
GH-10247-A	100°	1/8NPT	407	110	18.9	114.8	GH-FC-12300	55.3	45.2	31.8	8.3
GH-10249-A	100°	1/8NPT	407	110	18.9	114.8	GH-FC-12300	55.3	45.2	31.8	8.3
GH-20820-A	90°	1/8NPT	165	195	16.5	60	GH-FC-56212	70	25	16	7

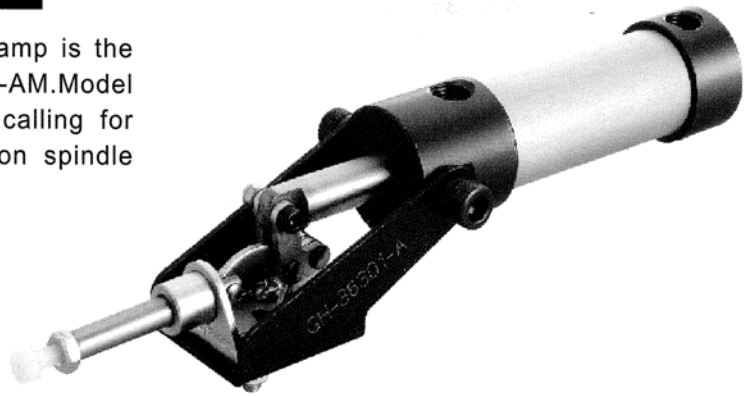
UNT:mm





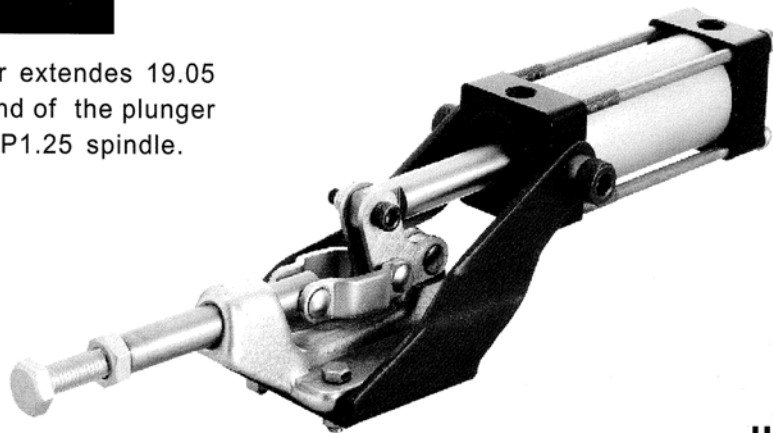
## GH-36301-A

▣ This miniature straight-line action clamp is the air powered version of model GH-301-AM. Model GH-36301-A is ideal for applications calling for small size or automated control, nylon spindle GH-SA-042007 is supplied.



## GH-36003-A

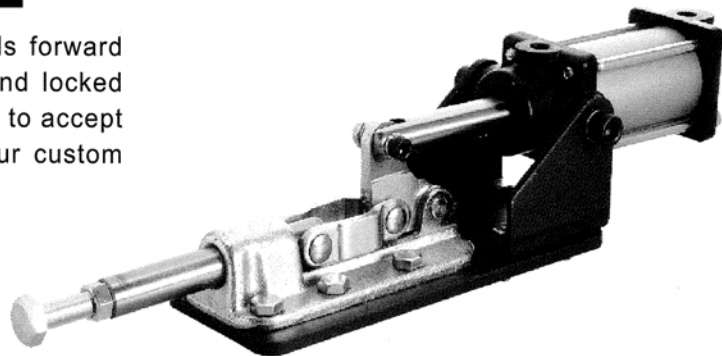
▣ The 11.1 mm diameter plunger extends 19.05 mm to a locked position, The end of the plunger is drilled and tapped for a M8\*P1.25 spindle.



UNT:mm

## GH-36330-A

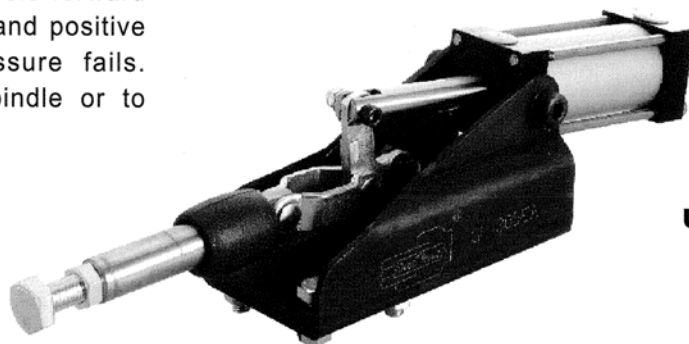
▣ The 15.6 mm diameter plunger travels forward 31.8<sup>m</sup> from and open to a closed and locked position. Plunger is drilled and tapped to accept a M10\*P1.5 spindle or to receive your custom fixture.



UNT:mm

## GH-305-EA

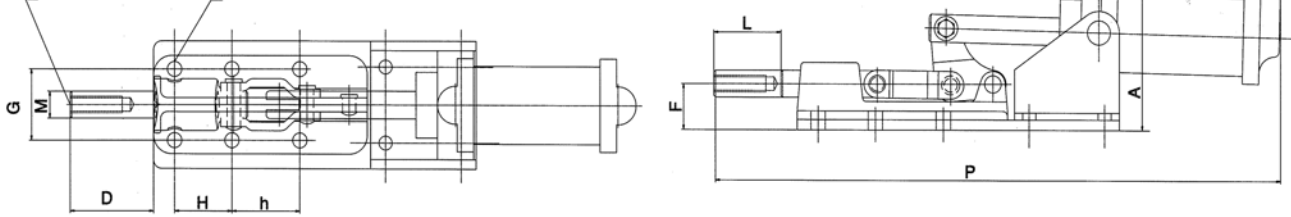
▣ The 15.6 mm diameter plunger travels forward 25.4<sup>m</sup> from and open to a closed and positive locking position even if air pressure fails. Plunger accepts any M10\*P1.5 spindle or to receive your custom fixture.



UNT:mm

UNT:mm

TAPPED FOR E SPINDLE J (MTG.SCREW SIZE)



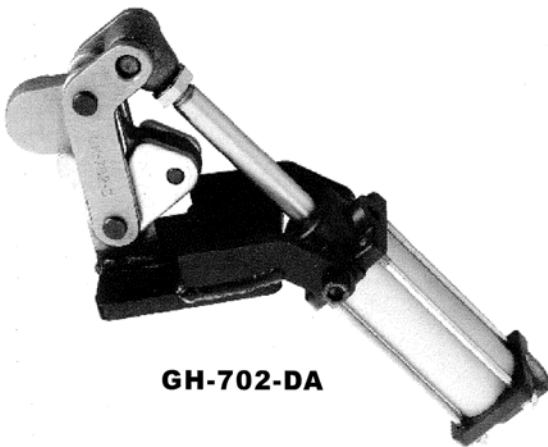
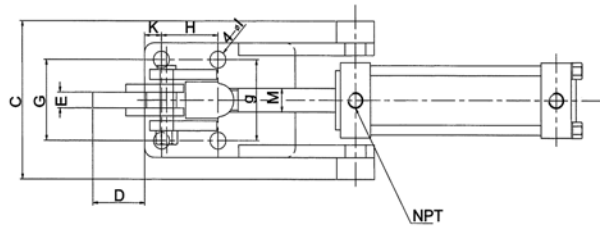
## DIMENSIONS:

MODEL	PORT SIZE	P	A	B	D	E	F	G	H	h	J	L	M
GH-36301-A	1/8NPT	187	40	8.3	32.2	GH-SA-042007	13.6	15.9	15.9	-	4.4	12	6.4
GH-36003-A	1/8NPT	250	69.5	7.1	58	GH-SA-085012	27.7	33.3	36.5	-	4.8	19.7	11.1
GH-36330-A	1/8NPT	347	84	12.7	51.5	GH-SA-106515	26.6	41.3	34.9	41.3	8	30	15.9
GH-305-EA	1/8NPT	306	77.2	9.5	75	GH-SA-126517	34.8	41.3	41.3	-	8.7	23.6	15.9

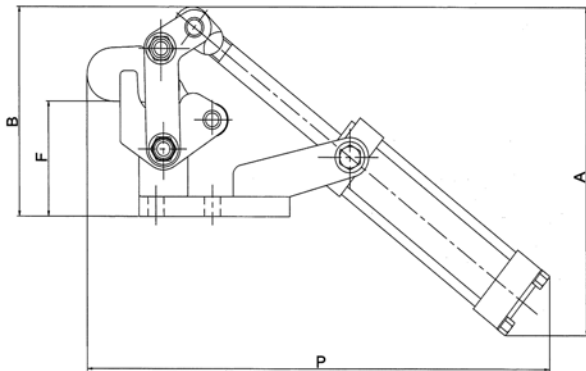
UNT:mm

## GH-702-CA AND GH-702-DA

▾ The weldable air-clamps open widely for easy loading and unloading of workpiece. The user supplies required hold down bar and suitable spindle.



GH-702-DA



MODEL	PORT SIZE	P	A	B	C	D	E	F	G	g	H	J	K	M	N	O
GH-702-CA	1/8 NPT	260	185	103	80	27	8	58	41	41	30	8.5	8	12	80	58
GH-702-DA	1/8 NPT	315	315	142	110	34	13	81	58	36	60	11	11	14	100	80

## POWER CLAMP SPECIFICATIONS

MODEL NO.	CYLINDER BORE (mm)	CYLINDER AREA (cm <sup>2</sup> )	MAXIMUM CYLINDER AIR PRESSURE (kg/cm <sup>2</sup> )(PSI)	MAXIMUM HOLDING CAPACITY (kgs)
GH-10101-A	20	3.14	10 140	50
GH-12050-A	30	7.07	10 140	91
GH-12130-A	30	7.07	10 140	227
GH-12132-A	30	7.07	10 140	227
GH-12265-A	40	12.56	10 140	340
GH-12275-A	40	12.56	10 140	340
GH-10247-A	50	19.625	10 140	450
GH-20820-A	30	7.07	10 140	100

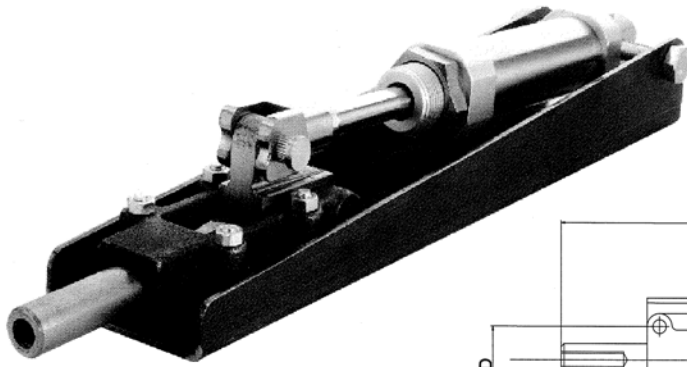
MODEL NO.	CYLINDER BORE (mm)	CYLINDER AREA (cm <sup>2</sup> )	MAXIMUM CYLINDER AIR PRESSURE (kg/cm <sup>2</sup> )(PSI)	MAXIMUM HOLDING CAPACITY (kgs)
GH-10249-A	50	19.625	10 140	450
GH-36301-A	20	3.14	10 140	45
GH-36003-A	30	7.07	10 140	272
GH-36330-A	40	12.56	10 140	1136
GH-305-EA	30	12.56	10 140	386
GH-702-CA	30	7.07	10 140	200
GH-702-DA	40	12.56	10 140	500

UNT:mm

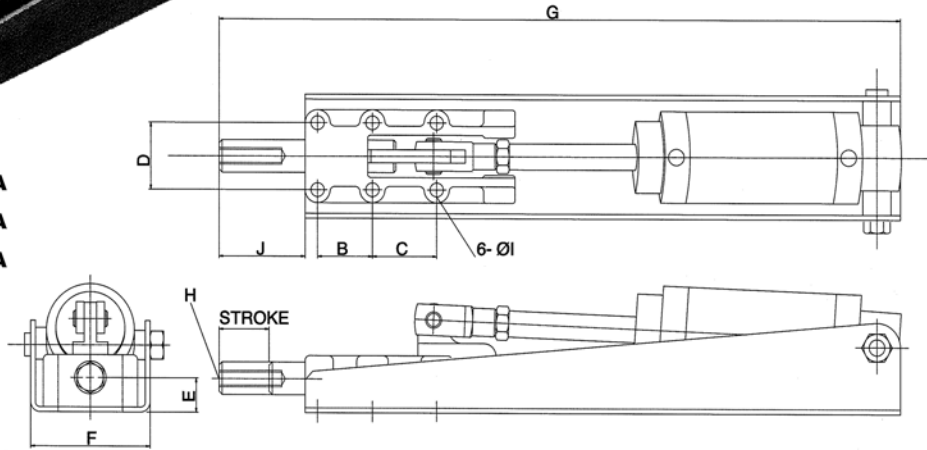


## GH-30600HL-A AND GH-31200HL-A

## GH-32500HL-A



GH-30600HL-A  
GH-31200HL-A  
GH-32500HL-A



MODEL	WEIGHT(g)	HOLDING CAPACITY(kg)	SPINDLE SUPPLIED	PLUNGER STROKE	A	B	C	D	E	F	G	H	ØI	J
GH-30600HL-A	1450	600	GH-SA-086512	25	25	36.5	-	33.4	14	59	325	M8 P=1.25	5.5	41
GH-31200HL-A	3700	1200	GH-SA-107515	32	8	35	41	41	21	76	435	M10 P=1.5	8.5	55
GH-32500HL-A	7400	2500	GH-SA-127517	50	12	45	45	54	26	96	577	M12 P=1.75	10.3	102

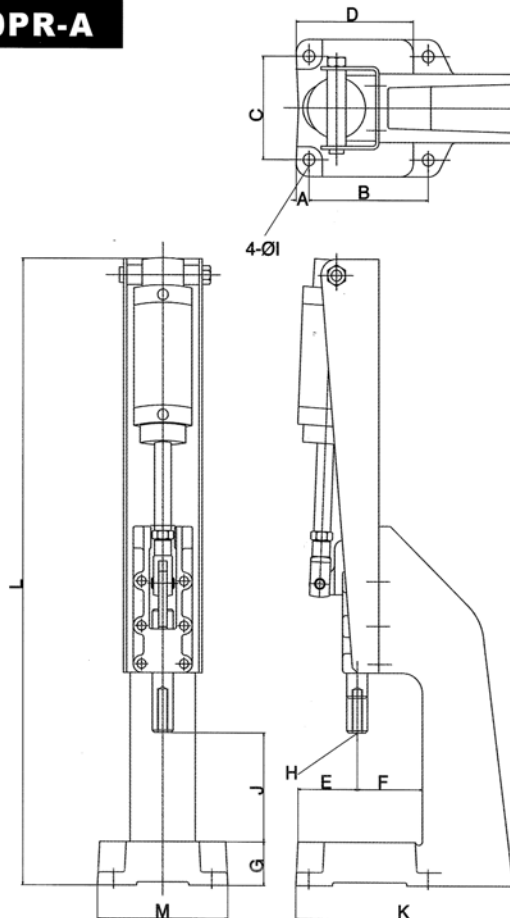
UNT:mm

## GH-30600PR-A AND GH-31200PR-A

## GH-32500PR-A



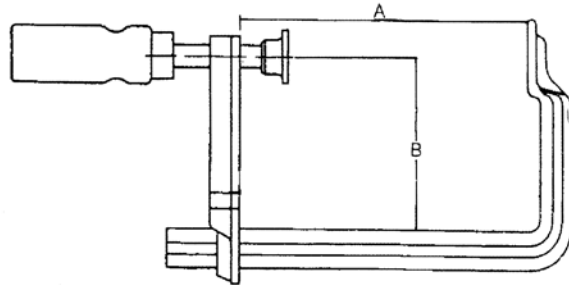
GH-30600PR-A  
GH-31200PR-A  
GH-32500PR-A



UNT:mm

MODEL	WEIGHT(g)	HOLDING CAPACITY(kg)	SPINDLE SUPPLIED	HANDLE OPENS	PLUNGER STROKE	A	B	C	D	E	F	G	H	I	J	ØK	L	M	N
GH-30600PR	3600	600	GH-SA-086512	185°	32	10	95	80	94	50	50	30	75	100	202	9	150	M8 P=1.25	30
GH-31200PR	7350	1200	GH-SA-107515	185°	50	12.5	115	95	113	60	60	40	100	120	290	11.1	192	M10 P=1.5	40
GH-32500PR	17920	2500	GH-SA-127517	185°	75	12.5	145	125	139	67	75	50	120	150	418	11	238	M12 P=1.75	60

- ▶ MATERIAL: AISI 1045 MEDIUM CARBON STEEL.
- ▶ HARDNESS: HRC 36<sup>0</sup> ± 2
- ▶ PLATING: CHROME PLATING
- ▶ **GOOD HAND G-C & SG-C clamps with wooden handles are light-duty clamps, which are very convenient for parts clamping in the fields of woodworking, plastics & aluminum industries.**



MODEL	SPANxDEPTH mm	RAIL mm	WEIGHT kg	PACK pcs/ctn
GH-G12C	120x60	13.5x6.5	0.30	20
GH-G16C	160x80	16x7.5	0.50	10
GH-G20C	200x100	19.5x7.5	0.88	10
GH-G25C	250x120	22x10.5	1.23	10
GH-G30C	300x140	25x12	1.85	10
GH-G40C	400x175	27x13	2.57	10
GH-G60C	600x175	27x13	3.06	10
GH-G80C	800x175	27x13	3.55	6
GH-SG40C	400x120	25x12	1.91	10
GH-SG50C	500x120	25x12	2.12	10
GH-SG60C	600x120	25x12	2.33	10
GH-SG80C	800x120	27x13	3.26	6
GH-SG100C	1000x120	27x13	3.75	6
GH-SG125C	1250x120	27x13	4.36	4
GH-SG150C	1500x120	27x13	4.98	4

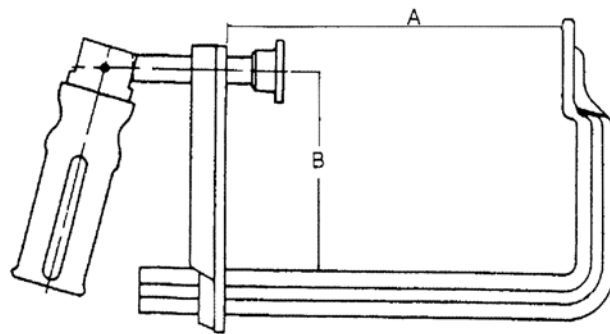
▶ **GOOD HAND REG-C & G-CS series clamps have the same advantages as G-C & SG-C clamps.**

UNT:mm

- ▶ REG-C clamps are equipped with a plastic handle which can be swing clicked, whilst G-CS clamps are equipped with a T-Spindle handle.
- ▶ All other specifications of these 2 types of clamps are the same.



REG-C SERIES



G-CS SERIES

MODEL	SPANxDEPTH mm	RAIL mm	WEIGHT kg	PACK pcs/ctn		
GH-REG16C	GH-G16CS	160x80	16x7.5	0.59	0.50	10
GH-REG20C	GH-G20CS	200x100	19.5x7.5	0.98	0.88	10
GH-REG25C	GH-G25CS	250x120	22x10.5	1.33	1.23	10
GH-REG30C	GH-G30CS	300x140	25x12	1.98	1.85	10
GH-REG40C	GH-G40CS	400x175	27x13	2.70	2.57	10
GH-REG60C	GH-G60CS	600x175	27x13	3.19	3.06	10
GH-REG80C	GH-G80CS	800x175	27x13	3.68	3.55	6
GH-REG40C	GH-SG40CS	400x120	25x12	2.04	1.91	10
GH-REG50C	GH-SG50CS	500x120	25x12	2.25	2.12	10
GH-REG60C	GH-SG60CS	600x120	25x12	2.46	2.33	10
GH-REG80C	GH-SG80CS	800x120	27x13	3.40	3.26	6
GH-REG100C	GH-SG100CS	1000x120	27x13	3.88	3.75	6
GH-REG125C	GH-SG125CS	1250x120	27x13	4.50	4.36	4
GH-REG150C	GH-SG150CS	1500x120	27x13	5.11	4.98	4

UNT:mm

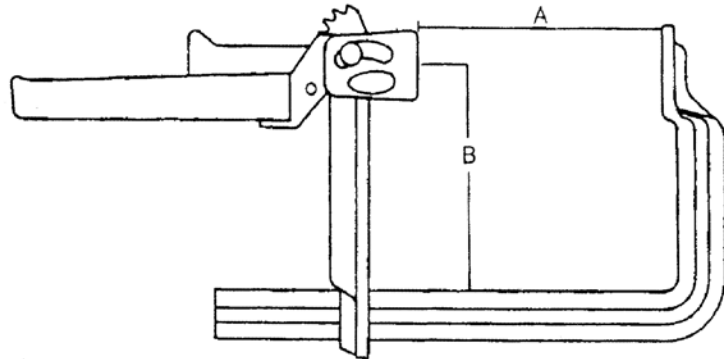
► GOOD HAND G-L & G-LH series clamps equipped with a quick release lever which can tighten & loosen workpiece easily, prevent overloading and resist vibration.



**G-L SERIES**



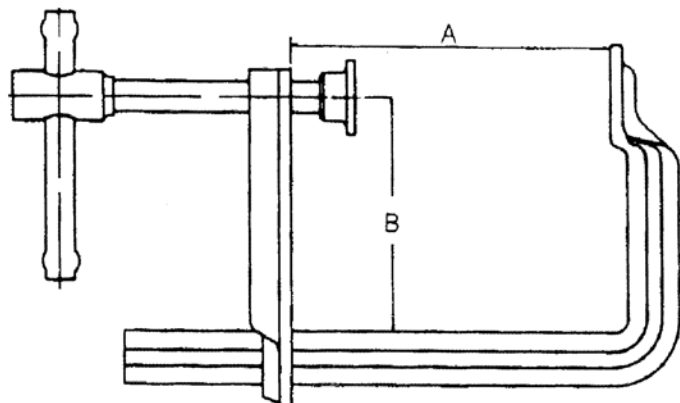
**G-LH SERIES**



ITEM NO.		SPANxDEPTH mm	RAIL mm	WEIGHT kg		PACK pcs/ctn
GH-G16L	GH-G16LH	160x80	16x7.5	0.54	10	10
GH-G20L	GH-G20LH	200x100	19.5x9.5	1.00	1.02	10
GH-G25L		250x120	22x10.5	1.62		10
GH-G25LH			22.5x10.5	1.63		10
GH-G30L	GH-G30LH	300x140	25x12	2.42	2.44	10
GH-G40L	GH-G40LH	400x120	25x12	2.55	2.57	10
GH-G50L		500x120	25x12	2.76		10
GH-G60L		600x120	25x12	2.97		10
GH-G80L		800x120	27x13	3.08		6
GH-G100L		1000x120	27x13	4.3		6

UNT:mm

► GOOD HAND S-C series heavy duty clamps have a non-slip surface on the fact of both the foot and the pad to prevent slippage of parts being worked.



ITEM NO.	SPANxDEPTH mm	RAIL mm	WEIGHT kg	PACK pcs/ctn
GH-S15C6	150x80	19.5x9.5	0.80	10
GH-S20C8	200x80	22x10.5	1.10	10
GH-S20C10	200x100	25x12	1.50	10
GH-S25C10	250x100	25x12	1.61	10
GH-S30C10	300x100	25x12	1.72	10

UNT:mm

► **GOOD HAND S-C12,GS-C SS-C**

- Series clamps are equipped with a T-Handle.
- There are 3 types of slamping pad available for change.

► **Optional pads:**

- GH-SCV/GH-GSV:for clamping round pipes or round bars
- GH-SCP/GH-GSP:for general purpose use
- GH-SCR/GH-GSR:for cold work purpose
- SCP,SCR,SCV for S-C12 series
- GSP,GSR,GSV for GS-C and SS-C series



ITEM NO.	SPANxDEPTH mm	RAIL mm	WEIGHT kg	PACK pcs/ctn
GH-S20C12	200x120	27x13	1.97	10
GH-S25C12	250x120	27x13	2.09	10
GH-S30C12	300x120	27x13	2.21	10
GH-S40C12	400x120	27x13	2.46	10
GH-S50C12	500x120	27x13	2.71	10
GH-S60C12	600x120	27x13	2.96	10
GH-S100C12	1000X120	27x13	3.88	6



UNT:mm

ITEM NO.	SPANxDEPTH mm	RAIL mm	WEIGHT kg	PACK pcs/ctn
GH-GS25C	250x120	30x15	2.76	10
GH-GS30C	300x140	30x15	3.03	10
GH-GS40C	400x120	30x15	3.24	8
GH-GS50C	500x140	30x15	3.66	8
GH-GS60C	600x120	30x15	3.87	8
GH-GS80C	800X140	30x15	4.62	6
GH-GS100C	1000X120	30x15	5.15	6
GH-GS125C	1250X120	30x15	5.94	4
GH-GS150C	1500X120	30x15	6.65	4

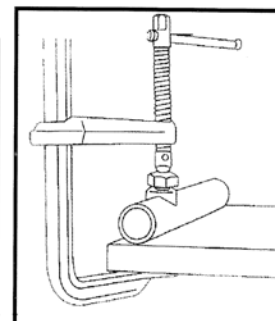
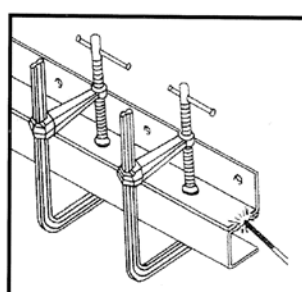
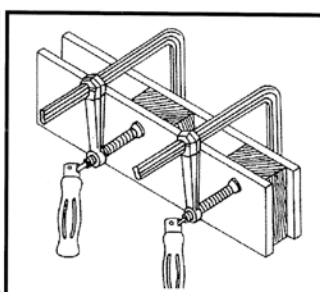
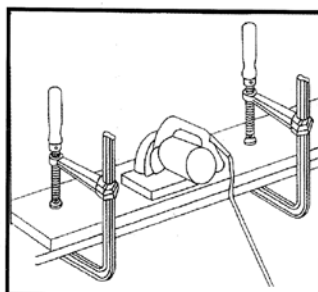


UNT:mm

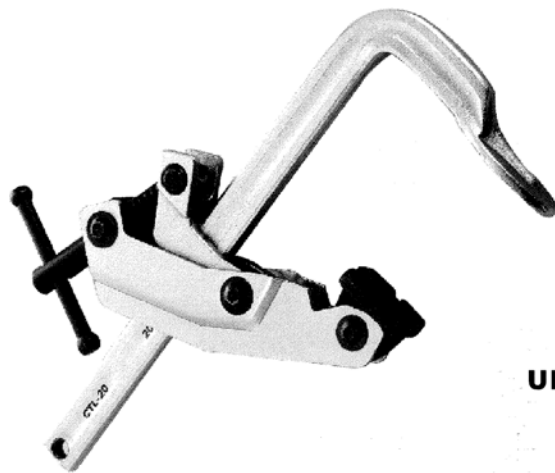
ITEM NO.	SPANxDEPTH mm	RAIL mm	WEIGHT kg	PACK pcs/ctn
GH-SS30C	300x175	40x20	5.50	6
GH-SS40C	400x175	40x20	6.06	6
GH-SS50C	500x175	40x20	6.62	4
GH-SS60C	600x175	40x20	7.18	4
GH-SS80C	800X175	40x20	8.30	2
GH-SS100C	1000X175	40x20	9.43	2
GH-SS125C	1250X175	40x20	10.83	2
GH-SS150C	1500X175	40x20	12.07	2



UNT:mm



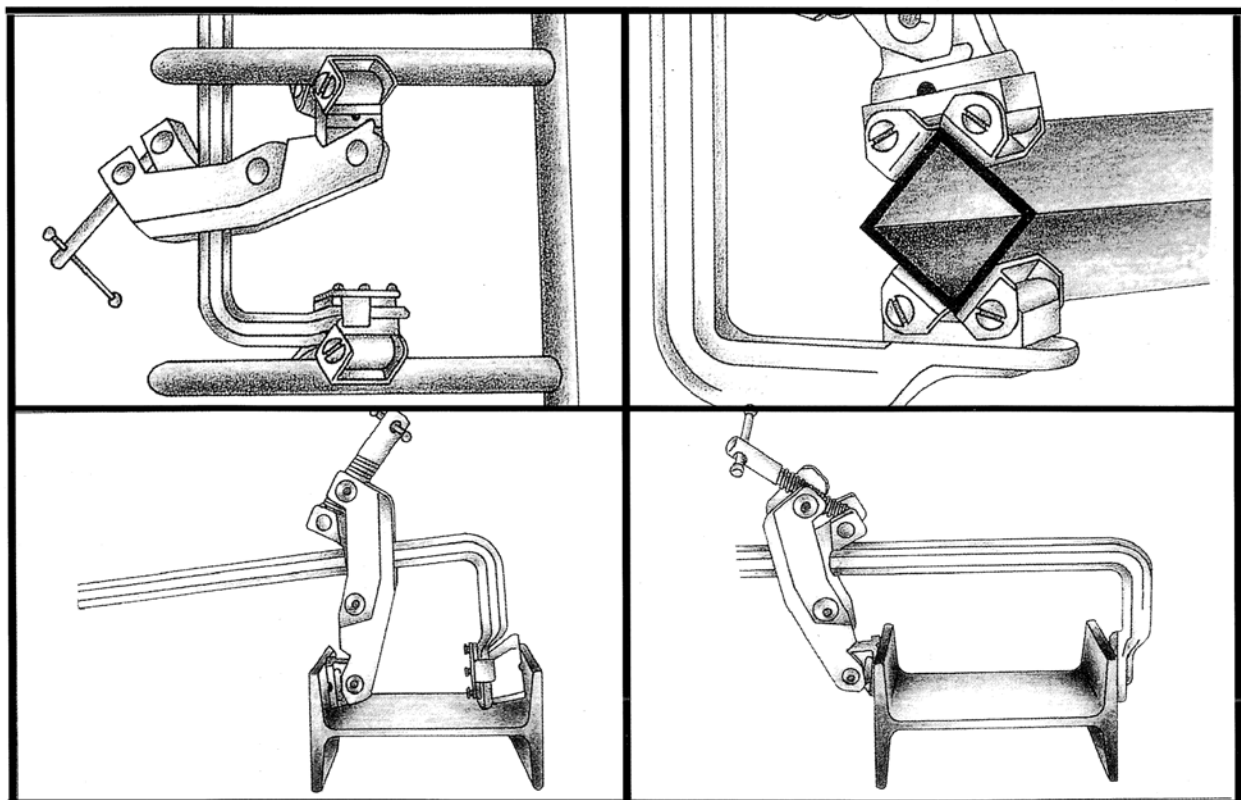
GOOD HAND CTL series clamps are equipped with a sliding arm which can be changed for reverse use by mounting the pressure pad on the fixed jaw.

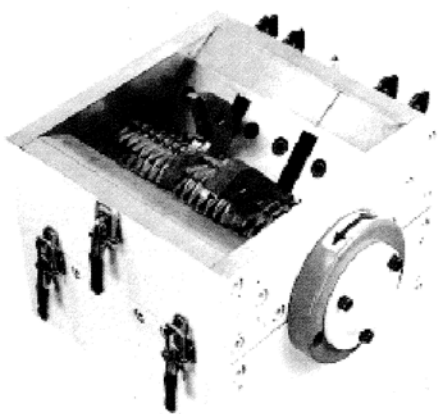


UNT:mm

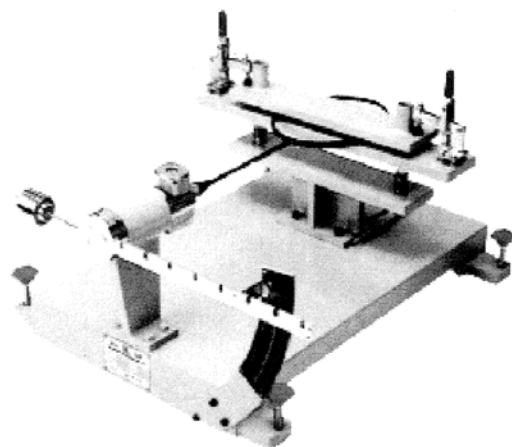
ITEM NO.	SPANxDEPTH mm	RAIL mm	WEIGHT kg	PACK pcs/ctn
GH-CTL15	150x80	22x10.5	1.36	10
GH-CTL20	200x80	22x10.5	1.44	10
GH-CTL30	300x100	27x13	2.72	10
GH-CTL50	500x80	22x10.5	1.93	10
GH-CTL60	600x100	27x13	3.46	8
GH-CTL80	800x80	22x10.5	2.42	10
GH-CTL100	1000x100	27x13	4.41	6
GH-CTD1	for rail 22mm		0.20	1
GH-CTD2	for rail 27mm		0.32	1
GH-CTV			0.18	1

\* CTD1, CTD2 and CTV are optional parts.

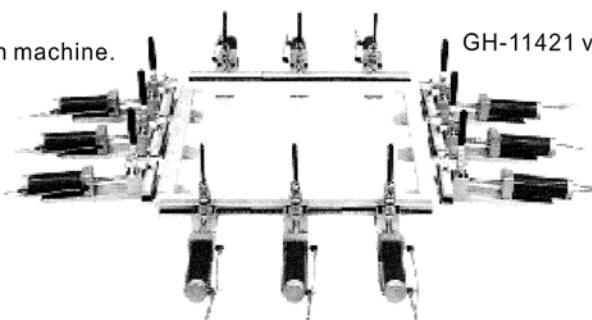




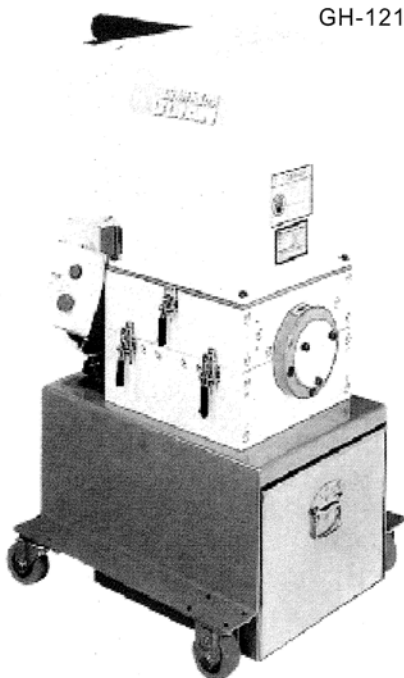
GH-431 latch type used in machine.



GH-11421 vertical type used in tested instrument.



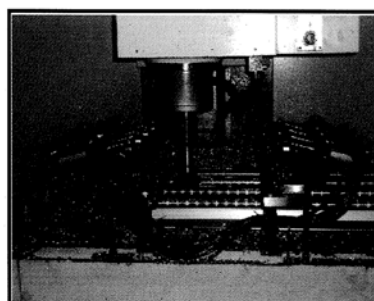
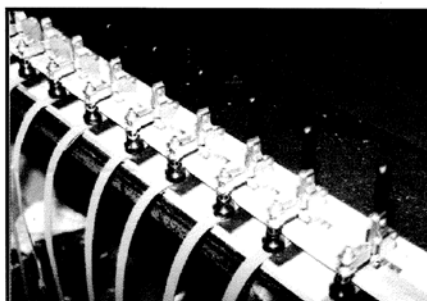
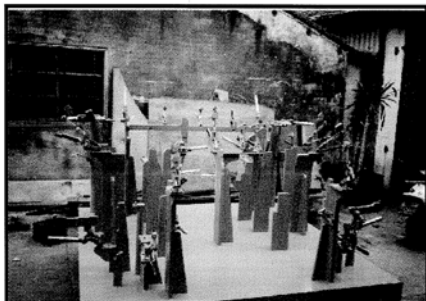
GH-12142 vertical type used stretching devic.



GH-40323 latch type used in low speed mixer machine.



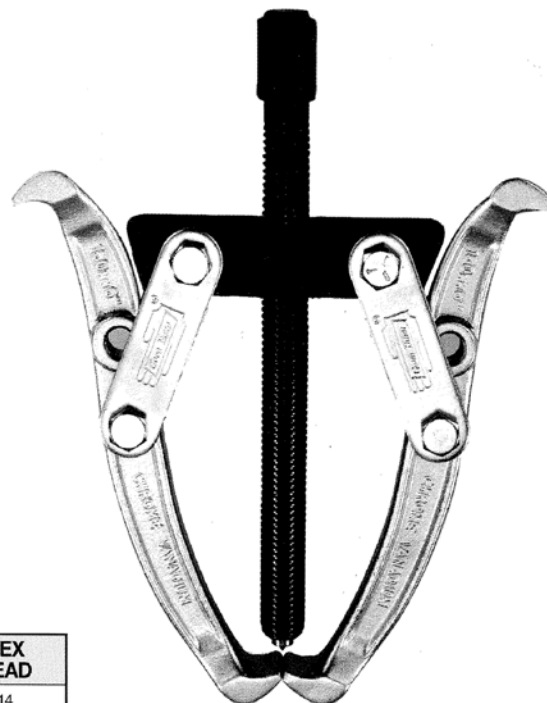
GH-40341 latch type used in mixer machine.





## TWO-JAW

- ▶ MATERIAL: CHROME VANADIUM ALLOY STEEL
- ▶ CR. V. FORGED HARDENED JAWS
- ▶ CHROME PLATED



MODEL	SPREAD	REACH	THREAD LENGTH	HEX HEAD	
GH-P0752	3"	40-75	60	45	14
GH-P1002	4"	50-100	70	55	17
GH-P1502	6"	60-150	120	95	19
GH-P2002	8"	80-200	175	135	23
GH-P3002	12"	120-300	215	170	32

## THREE-JAW

- ▶ MATERIAL: CHROME VANADIUM ALLOY STEEL
- ▶ CR. V. FORGED HARDENED JAWS
- ▶ CHROME PLATED



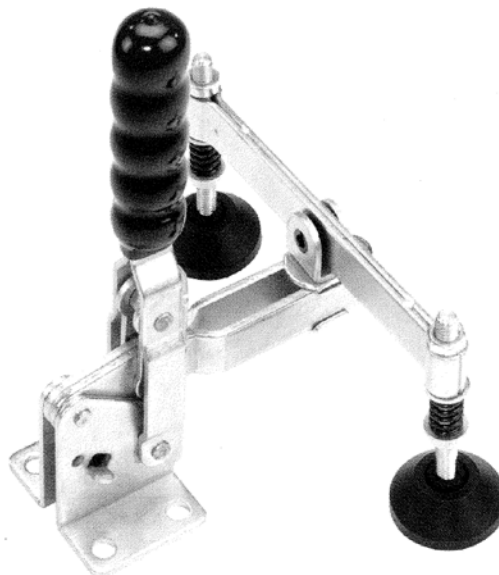
MODEL	SPREAD	REACH	THREAD LENGTH	HEX HEAD	
GH-P0753	3"	40-75	60	45	14
GH-P1003	4"	50-100	70	55	17
GH-P1503	6"	60-150	120	95	19
GH-P2003	8"	80-200	175	135	23
GH-P3003	12"	120-300	215	170	32

**GH-YP-3130**
**GH-YP-3145**
**GH-YP-3160**
**GH-YP-3730**
**GH-YP-3745**
**GH-YP-3760**

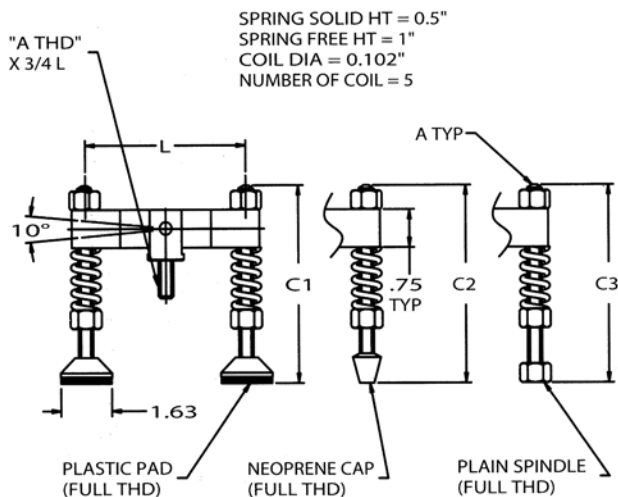
Hold two workpieces, or long pieces of fabric or metal. The Good Hand Yokes have Spring loaded, extra-wide spindles that provide strong, nomar holding power that adjusts to varying material thicknesses and size. ideal for difficult applications!



**Yoke with Horizontal clamp#GH-20235**



**Yoke with vertical clamp#GH-12265**



**Yoke with Push/Pull clamp#GH-304-E**

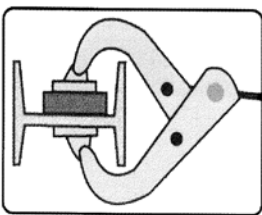
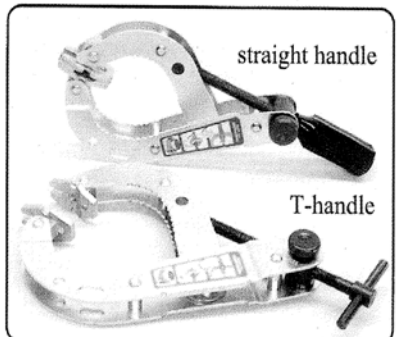
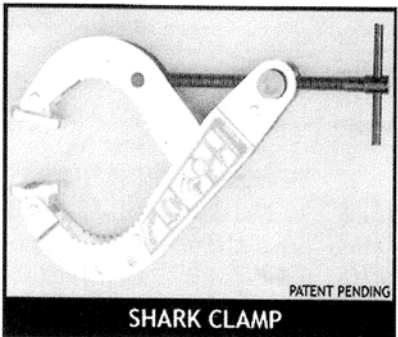
PLASTIC PAD PART NO.	NEOPRENE CAP PART NO.	PLAIN SPINDLE PART NO.	A	L	C1	C2	C3
GH-YP-3130	GH-YN-3130	GH-YB-3130	5/16-18	3"	3.9	3	2.5
GH-YP-3145	GH-YN-3145	GH-YB-3145	5/16-18	4.5"	3.9	3	2.5
GH-YP-3160	GH-YN-3160	GH-YB-3160	5/16-18	6"	3.9	3	2.5
GH-YP-3730	GH-YN-3730	GH-YB-3730	3/8-16	3"	3.9	3.5	3
GH-YP-3745	GH-YN-3745	GH-YB-3745	3/8-16	4.5"	3.9	3.5	3
GH-YP-3760	GH-YN-3760	GH-YB-3760	3/8-16	6"	3.9	3.5	3

UNT:mm

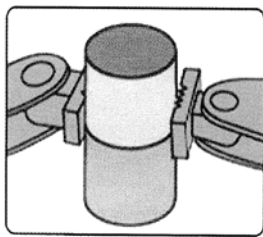
**SC50 SC50A, SC65, SC65A**

**QUICK SCISSOR ACTION**

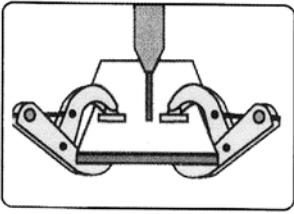
Zip close and open at the press of a button. 3-8 times faster than the competing Kant-Twist® clamp.



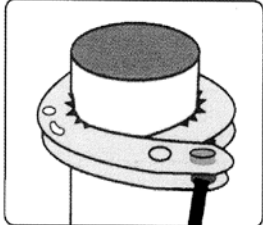
► **Curved Clamp Arm**  
Step-over I-Beams, flanges, and other obstacles.



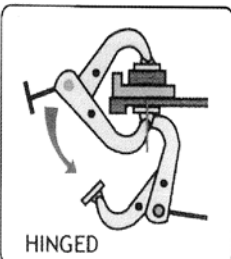
► **Hold Round Parts**  
Floating grip pads will hold round part (up to 6" diameter) or odd shaped parts.



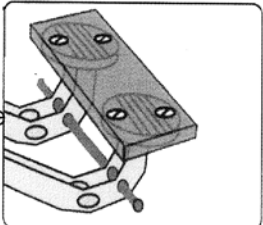
► **Drilling Applications**  
Clamp parts while keeping a parallel support underneath.



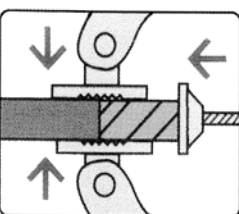
Inside grip teeth will hold larger pipes/cylinders. use as a filter wrench, or mount attachments, such as lighting fixtures, to pipes or I-beams.



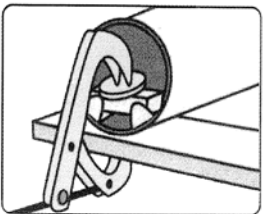
► **Swing-Away Pad**  
Two mounting slots on clamp jaws allow mounting of the clamp on the bottom of the bench, the clamp can be swung away when not in use.



► **Gang-Mount**  
Join two clamps by using the mounting slots to add a mounting plate.



► **Clamp Unparallel Parts**  
Upper and lower jaws can be used to align and clamp butt joints, even if the thickness is not identical.

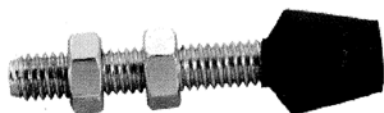


► **V-pad (Spring Loaded)**  
Optional V-pads (two sizes) hold up to 20" in diameter pipes. It can be mounted and used to hold two parts at the same time.

MODEL	DESCRIPTION	OPENING (MAX.)	CLAMPING PRESSURE	WEIGHT
SC50	T-HANDLE	5"	250 lbs.	1.7 lbs.
SC50A	STRAIGHT HANDLE	5"	200 lbs.	1.7 lbs.
SC65	T-HANDLE	6.5"	250 lbs.	1.9 lbs.
SC65A	STRAIGHT HANDLE	6.5"	200 lbs.	1.9 lbs.

**EVERY SHARK CLAMP INCLUDES THE EXCLUSIVE QUICK ACTING BUTTON!**

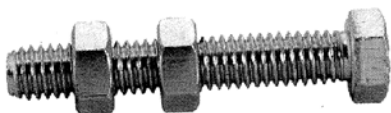
**ADJUSTABLE SPINDLE ASSEMBLIES**



**FLAT CUSHION-TIP BONDED NEOPRENE CAP**

Prat N0.	Description	Prat N0.	Description
GH-FC-042507	M4×25P=0.7	GH-FC-10138	10-24×1-3/8
GH-FC-044207	M4×42P=0.7	GH-FC-14134	1/4-20×1-3/4
GH-FC-064410	M6×44P=1.0	GH-FC-14218	1/4-20×2-1/8
GH-FC-065110	M6×51P=1.0	GH-FC-56212	5/16-18×2-1/2
GH-FC-086312	M8×63P=1.25	GH-FC-56300	5/16-18×3
GH-FC-087512	M8×75P=1.25	GH-FC-38312	3/8-16×3-1/2
GH-FC-108515	M10×85P=1.5	GH-FC-38412	3/8-16×4-1/2
GH-FC-121017	M12×100P=1.75	GH-FC-12334	1/2-13×3-3/4

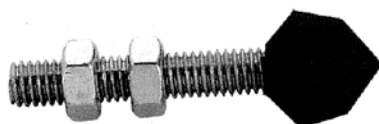
**ADJUSTABLE SPINDLE ASSEMBLIES**



**STANDARD ADJUSTABLE**

Prat N0.	Description	Prat N0.	Description
GH-SA-041507	M4×15P=0.7	GH-SA-08034	8-32×3/4(nylon)
GH-SA-042007	M4×20P=0.7 (nylon)	GH-SA-10118	10-24×1-1/8
GH-SA-042507	M4×25P=0.7	GH-SA-14112	1/4-20×1-1/2
GH-SA-044007	M4×40P=0.7	GH-SA-14134	1/4-20×1-3/4
GH-SA-051508	M5×15P=0.8	GH-SA-56200	5/16-18×2
GH-SA-064010	M6×40P=1.0	GH-SA-56212	5/16-18×2-1/2
GH-SA-065010	M6×50P=1.0	GH-SA-38300	3/8-16×3
GH-SA-083012	M8×30P=1.25	GH-SA-38400	3/8-16×4
GH-SA-085012	M8×50P=1.25	GH-SA-12300	1/2-13×3
GH-SA-086512	M8×65P=1.25	GH-SA-12412	1/2-13×4-1/2
GH-SA-105015	M10×50P=1.5	GH-SA-58500	5/8-11×5
GH-SA-107515	M10×75P=1.5		
GH-SA-109015	M10×90P=1.5		

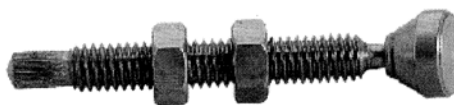
**ADJUSTABLE SPINDLE ASSEMBLIES**



**CONE CUSHION-TIP BONDED NEOPRENE CAP**

Prat N0.	Description
GH-CC-10138	10-24×1-3/8
GH-CC-14134	1/4-20×1-3/4
GH-CC-14214	1/4-20×2-1/8
GH-CC-14218	1/4-20×2-1/8
GH-CC-56212	5/16-18×2-1/2
GH-CC-56300	5/16-18×3
GH-CC-38312	3/8-13×3-1/2

**SWIVEL FOOT ADJUSTABLE SPINDLE ASSEMBLIES**



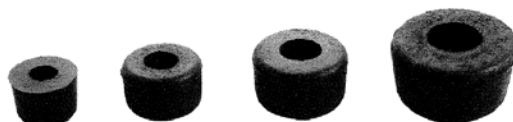
Prat N0.	Description	Prat N0.	Description
GH-SF-05035	M5×35P=0.8	GH-SF-14214	1/4-24×2-1/4
GH-SF-06050	M6×50P=1.0	GH-SF-56234	5/16-18×2-3/4
GH-SF-08065	M8×65P=1.25	GH-SF-38300	3/8-16×3
GH-SF-10085	M10×85P=1.5	GH-SF-12400	1/2-13×4
GH-SF-12100	M12×100P=1.75		
GH-SF-16150	M16×150P=2.0		

**FLANGED WASHERS FOR U-BAR CLAMPS**



Prat N0.	Description
GH-FW-080	For #8 spindle
GH-FW-100	For #10 spindle
GH-FW-140	For 1/4 spindle
GH-FW-141	For 1/4 spindle
GH-FW-516	For 5/16 spindle
GH-FW-380	For 3/8 spindle
GH-FW-120	For 1/2 spindle
GH-FW-580	For 5/8 spindle

**NEOPRENEN CAPS**



**SLIPS ON STANDRD ADJUSTABLE SPINDLE HEADS**

Prat N0.	Description
GH-NC-140	For 1/4 spindle
GH-NC-516	For 5/16 spindle
GH-NC-380	For 3/8 spindle
GH-NC-120	For 1/2 spindle

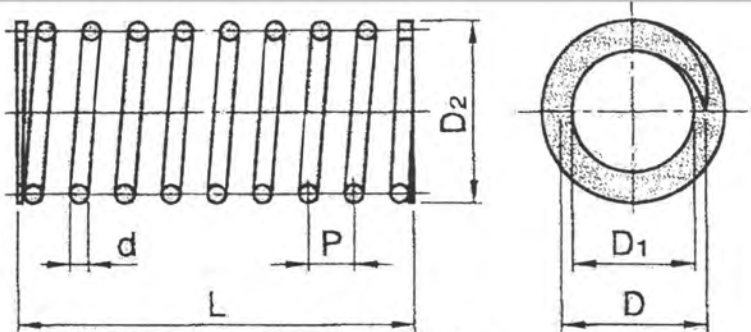
**BOLT RETAINERS**



**WELDON FOR SOLID-BAR CLAMPS**

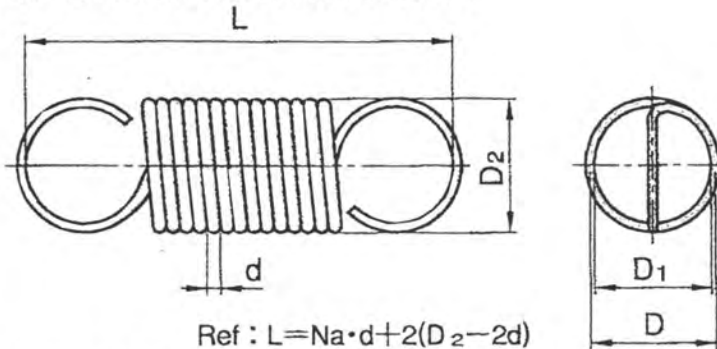
Prat N0.	Description
GH-BR-140	For 1/4 spindle
GH-BR-141	For 1/4 spindle
GH-BR-516	For 5/16 spindle
GH-BR-380	For 3/8 spindle
GH-BR-120	For 1/2 spindle
GH-BR-580	For 5/8 spindle



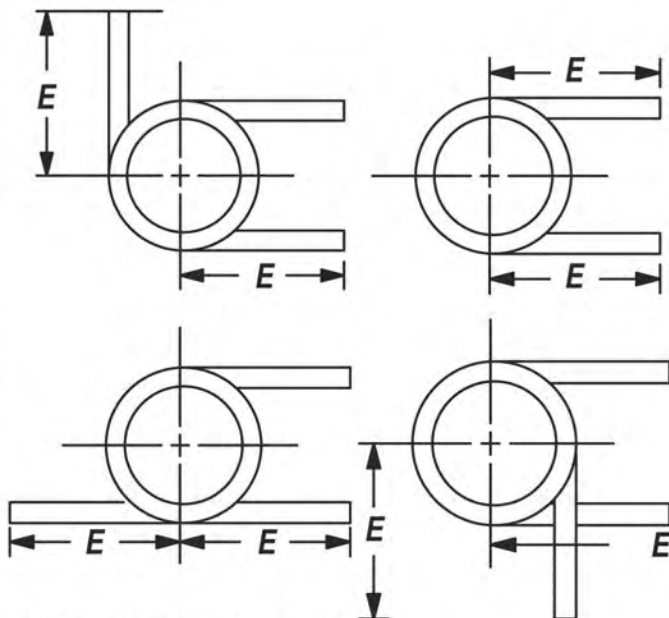


### COMPRESSION SPRING

WIRE SIZE FROM 0.15mm TO 50mm



### EXTENSION SPRING



### TORSION SPRING

ANY QUANTITY ABOVE 10 PCS

### A GUIDED MAP TO OUR SHOP:



### GOOD HAND TOGGLE CLAMPS

SPRING

MAGNET

SHIM FOIL (0.005 - 2MM)

PLASTIC SHIM

HARDWARE

HANDLING PARTS

**CSB SPRING & HARDWARE SDN BHD** (766265-X)

No. 154, Jalan Pintal Tali, 10100 Penang.

Tel: 04 263 8975 Tel/Fax: 04 261 1835

Email: csbspring@yahoo.com Website : <http://www.csbspring.com>